
CC3 compression load cell



product description

The CC3 polished rod load cell is specifically designed for the oil and gas industry to address pump off control monitoring in well automation. The CC3 provides a rugged, steel casting, that is impervious to shock loading, moisture ingress and fatigue failures.

The CC3 features a Nickel plated 4340 steel sensing element which increases performance and reliability. The assembly includes a powder coated housing, UV resistant sealants with an environmental seal rated to IP67. The CC3 also carries HazLoc approvals for intrinsically safe operation in Class 1, Division 1 environments.

applications

Pump off control (polished rod load cell)

accessories

Spherical washers

Load plates

Coiled or straight cables in a variety of lengths

key features

Capacity of 30 klb (13.6 t) & 50 klb (22.7 t)

UL Approved Class 1, Div 1 (pending)

Rugged design, waterproof, UV and corrosion resistant

Fatigue rated to a minimum 50,000,000 life cycle



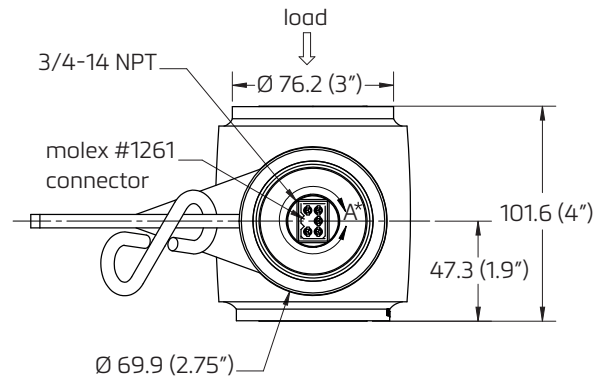
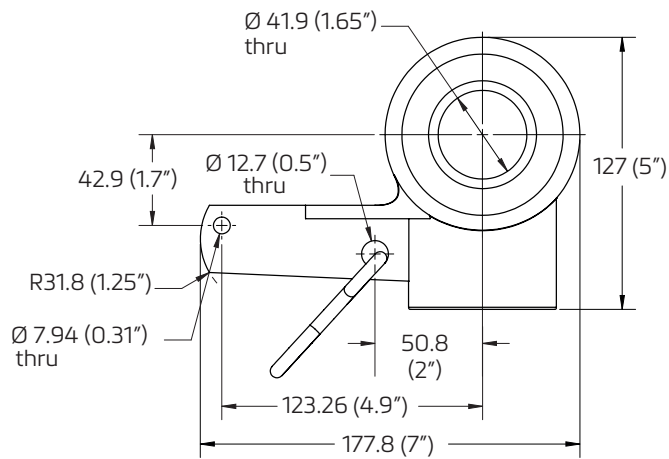
RoHS compliant



specifications

Maximum capacity (E_{max})	klb	30	50
Metric equivalents (1 klb=0.45359 t)	t	13.6	22.7
Temperature effect on zero output (TC_0)	%*RO/°C	$\leq \pm 0.027$ ($\leq \pm 0.0015$ %*RO/°F)	
Temperature effect on sensitivity (TC_{RO})	%*RO/°C	$\leq \pm 0.036$ ($\leq \pm 0.002$ %*RO/°F)	
Non-linearity	%*RO	± 0.250	
Hysteresis	%*RO	± 0.250	
Rated output (RO)	MV/V	$2 \pm 0.5\%$	
Insulation resistance (100 V DC)	MΩ	≥ 5000	
Zero balance	%*RO	± 1	
Input resistance (R_{LC})	Ω	770 ± 50	
Output resistance (R_{out})	Ω	700 ± 3.5	
Safe load limit (E_{lim})	%* E_{max}	200	
Compensated temperature range	°C	$-25...+65$ ($-14...+150$ °F)	
Operating temperature range	°C	$-55...+80$ ($-70...+175$ °F)	
Load cell material		4340/4140	
Protection according EN 60 529		IP67	
Surface Finish		Sensor body = Electroless Nickel Plating Cast housing = Powder coated	

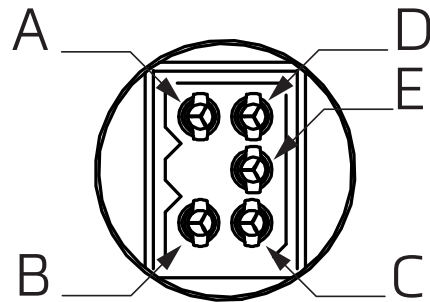
product dimensions (mm)



wiring

As standard the CC3 is provided with a 5 pin Molex connector.

Molex pin	Function
A	Excitation +
B	Signal +
C	Signal -
D	Excitation -
E	No Connection



Specifications and dimensions are subject to change without notice.