

CC1W

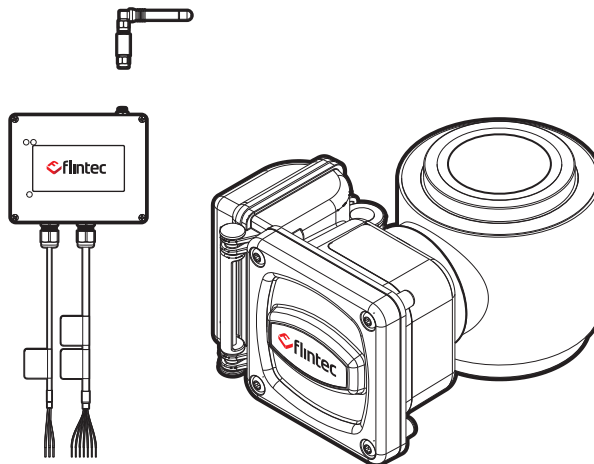
Installation Guide

Follow this guide to ensure the system is properly installed and performing as intended. Use the indicator lights to check performance, making adjustments as needed.

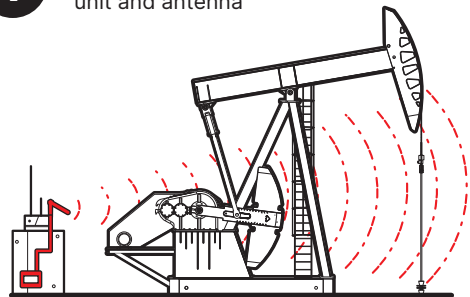


Contact support hotline for advice.

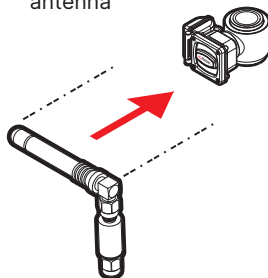
INSTALLATION SUPPORT HOTLINE: (978) 333-7539



1 Mount the base unit and antenna



2 Position the antenna



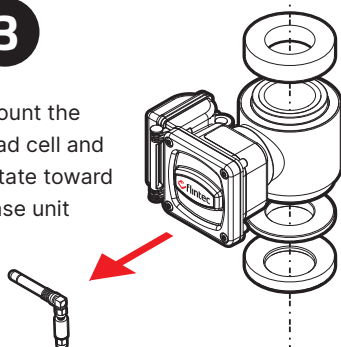
Note

Mount the base unit in or near the control box.

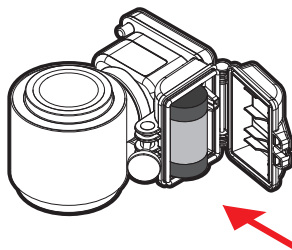
Secure the antenna as high as possible by utilizing the extension cable.

Orientate the antenna's horizontal edge to face the load cell. Maintain line-of-sight, if possible.

3 Mount the load cell and rotate toward base unit



4 Install the battery



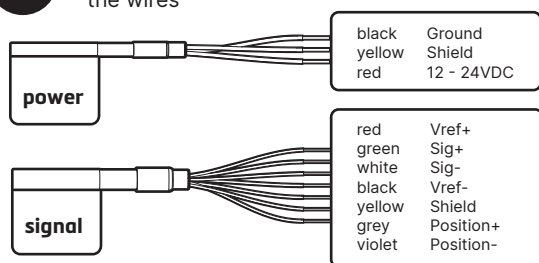
Note

Mount the load cell, top plate and washer set as recommended.

Position the front of the load cell (Flintec logo) toward the base unit.

Connect battery and seal the door.

5 Connect the wires



6 Use the indicator lights to verify the system is working properly

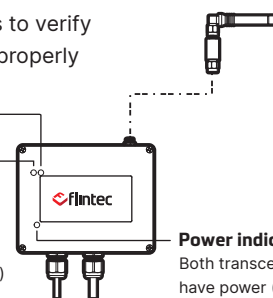
Comms indicator

Data is being transferred (Blue / red flashes)

Link quality indicator

Good signal (Off)
Poor signal (Yellow)
No signal (Red)

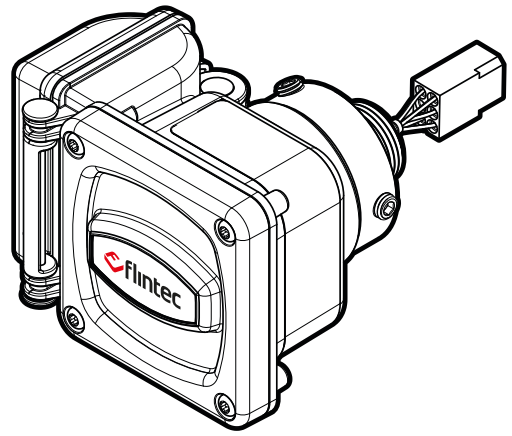
Power indicator
Both transceivers have power (Red)



CCWR

Retrofit Assembly Guide

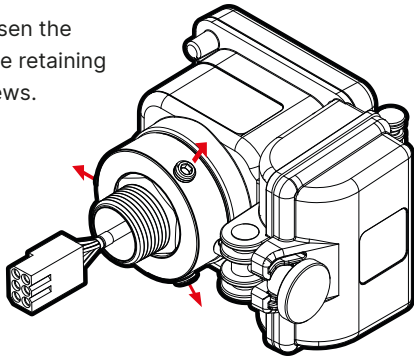
Follow this guide to ensure that the CCWR is correctly connected to the load cell and safely secured in place.



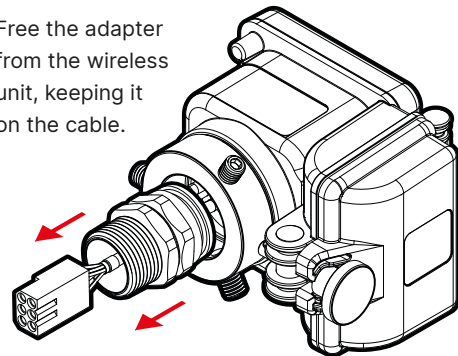
Once complete, proceed to the second guide regarding the installation of the system.

INSTALLATION SUPPORT HOTLINE: (978) 333-7539

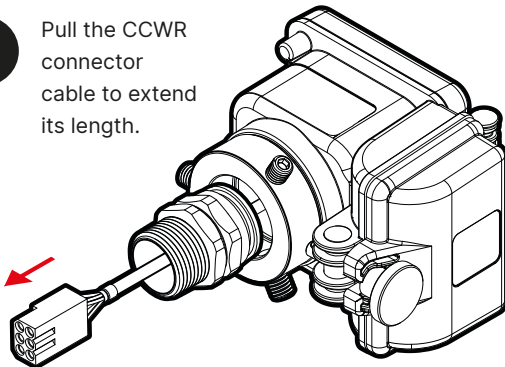
- 1** Loosen the three retaining screws.



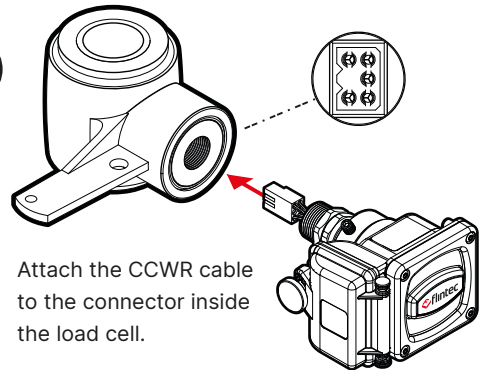
- 2** Free the adapter from the wireless unit, keeping it on the cable.



- 3** Pull the CCWR connector cable to extend its length.

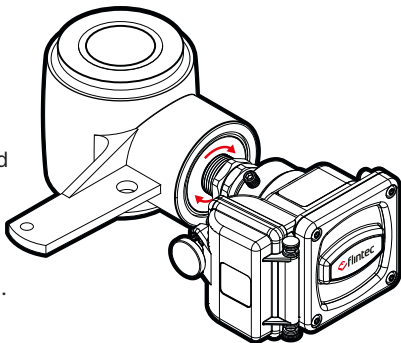


- 4**



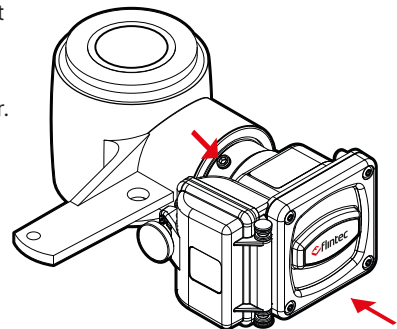
Attach the CCWR cable to the connector inside the load cell.

- 5** Screw the load cell adapter into the load cell. Tighten with hand tool.



- 6** Push the remote unit up against the load cell, completely covering the adapter.

Secure in place by tightening the three retaining screws.



CCWR

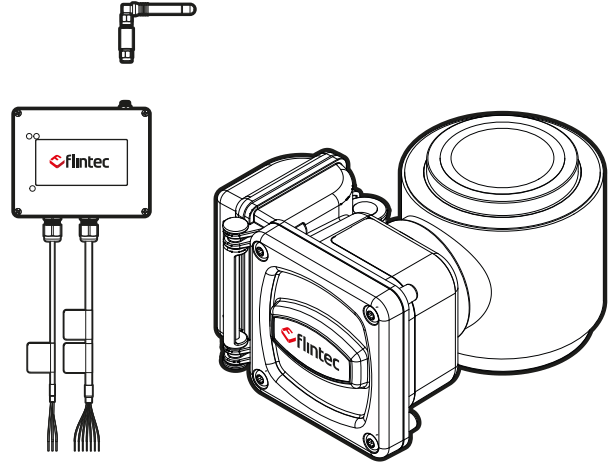
Installation Guide

Follow this guide to ensure the system is properly installed and performing as intended. Use the indicator lights to check performance, making adjustments as needed.

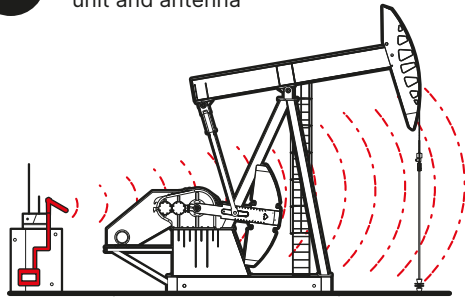


Contact support hotline for advice.

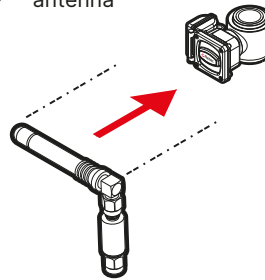
INSTALLATION SUPPORT HOTLINE: (978) 333-7539



1 Mount the base unit and antenna



2 Position the antenna



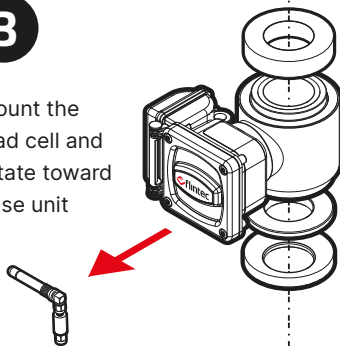
Note

Mount the base unit in or near the control box.

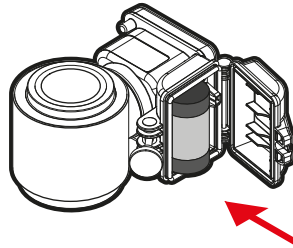
Secure the antenna as high as possible by utilizing the extension cable.

Orientate the antenna's horizontal edge to face the load cell. Maintain line-of-sight, if possible.

3 Mount the load cell and rotate toward base unit



4 Install the battery



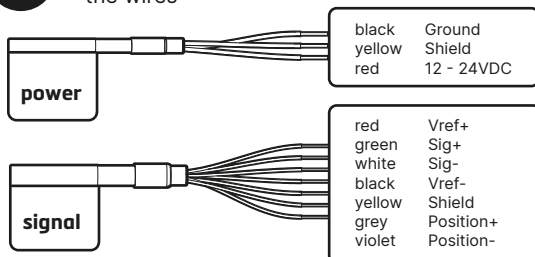
Note

Mount the load cell, top plate and washer set as recommended.

Position the front of the load cell (Flintec logo) toward the base unit.

Connect battery and seal the door.

5 Connect the wires



6 Use the indicator lights to verify the system is working properly

Comms indicator

Data is being transferred (Blue / red flashes)

Link quality indicator

Good signal (Off)
Poor signal (Yellow)
No signal (Red)

Power indicator
Base unit has power (Red)

