

LNX-800AG Series

8-Port Industrial Gigabit Unmanaged Ethernet Switch, with 8*10/100/1000Tx



Features

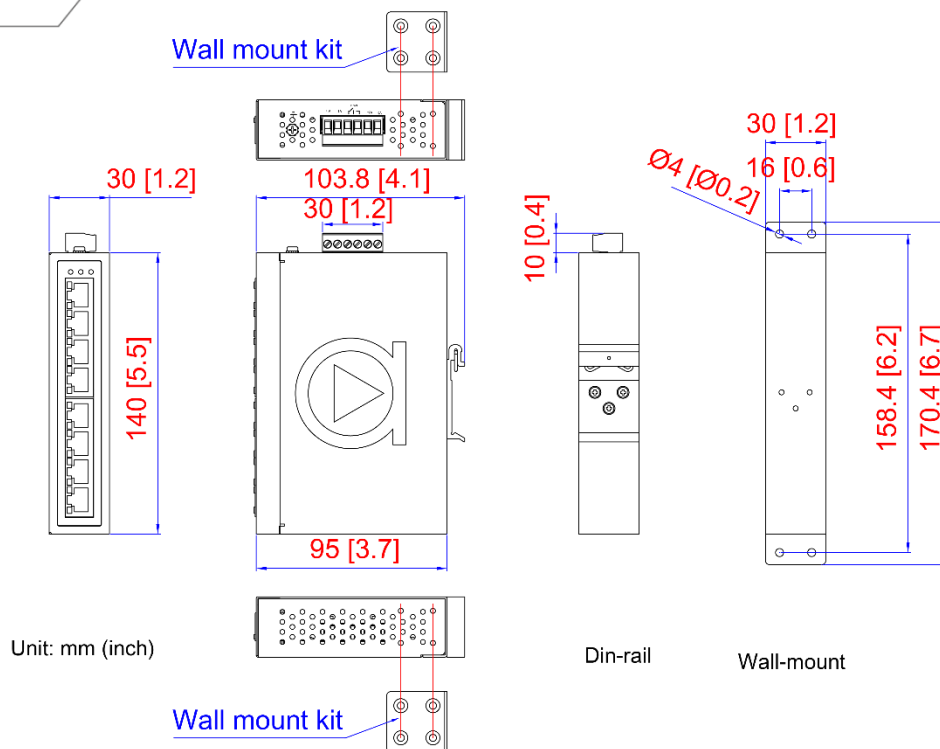
- ▶ Supports 8-Port 10/100/1000Tx Gigabit Ethernet
- ▶ Supports Auto MDI/MDI-X Function
- ▶ Store-and-Forward Switching Architecture
- ▶ 16Gbps Back-Plane (Switching Fabric)
- ▶ 8K MAC Address Table
- ▶ Redundant Power Input Design: 12~48VDC
- ▶ Built-in 1 Relay Output for Power Failure Warning
- ▶ IP30 Rugged Metal Case Design
- ▶ DIN-Rail and Wall Mount Support
- ▶ Operating Temperature Range - STD: -10°C to 70°C, EOT: -40°C to 75°C
- ▶ 5-Year Warranty

INTRODUCTION

Antaira Technologies' LNX-800AG series industrial Gigabit unmanaged Ethernet switch series is IP30 rated and DIN-Rail mountable with 8*10/100/1000Tx, making it ideal for applications that demand a high bandwidth connectivity solution.

This series provides a high EFT and ESD protection that has a dual power input with a reverse power polarity protection. In addition, the built-in relay warning function alerts maintainers when power failures occur. There is a wide operating temperature model that supports -40°C to 75°C. The LNX-800AG series is an ideal solution for harsh outdoor weather environments and industrial applications.

DIMENSIONS



SPECIFICATIONS

Technology	
Standards	IEEE 802.3 10Base-T Ethernet IEEE 802.3u 100Base-TX Fast Ethernet IEEE 802.3ab 1000Base-T Gigabit Ethernet
Processing Type	Store and Forward
Protocol	CSMA/CD
Flow Control	IEEE 802.3x flow control, back pressure flow control
Switch Properties	
Switch Architecture	Back-Plane (Switching Fabric): 16Gbps
Transfer Rate	14,880pps for Ethernet port 148,800pps for Fast Ethernet Port 1,488,000pps for Gigabit Ethernet Port
Memory Buffer	4Mbits
Jumbo Frame	9.6Kbytes
MAC Table Size	8K
Interface	
Ethernet Port	8*10/100/1000Tx Base-T(X) Auto negotiation speed, Full/Half duplex mode, auto MDI/MDI-X connection
LED Indicators	System: Power 1, Power 2, Fault Ethernet Ports: Link/Activity/Speed
Network Cable	10Base-T: 2-pair UTP/STP Cat. 3, 4, 5 cable EIA/TIA-568 100-ohm (100m) 100Base-TX: 2-pair UTP/STP Cat. 5 cable EIA/TIA-568 100-ohm (100m) 1000Base-TX: 4-pair UTP/STP Cat.5/5E cable; EIA/TIA-568 100-ohm (100m)
Mechanical Characteristics	
Housing	Metal, IP30 protection
Dimensions	30 x 140 x 95 mm (W x H x D)
Weight	Unit: 1.0 lb Shipping: 1.5 lbs
Mounting	DIN-Rail mounting; Wall mounting

Power Requirement	
Input Voltage	12~48VDC, Redundant Input
Power Connection	1 removable 6-contact terminal block
Reverse Polarity Protection	Present
Overload Current Protection	Present
System Power Consumption	9.2 Watts
Relay Contact	24VDC, 1A resistive
Environmental Limits	
Operating Temperature	STD: -10°C to 70°C EOT: -40°C to 75°C
Storage Temperature	-40°C ~ 85°C
Ambient Relative Humidity	5 to 95%, (non-condensing)
Regulatory Approvals	
EMI	FCC Part 15 Subpart B Class A, CE EN55032/EN61000-6-4 Class A
EMS	CE EN55024/EN61000-6-2 Class A IEC61000-4-2,3,4,5,6,8
Free Fall	IEC60068-2-32
Shock	IEC60068-2-27
Vibration	IEC60068-2-6
Green	RoHS Compliant
Certifications	FCC, CE, UL 61010-1, UL 61010-2-201
Warranty	5 Years

ORDERING INFO

LNx-800AG	8-Port Industrial Gigabit Unmanaged Ethernet Switch, with 8*10/100/1000Tx
LNx-800AG-T	8-Port Industrial Gigabit Unmanaged Ethernet Switch, with 8*10/100/1000Tx; EOT: -40°C to 75°C

LNX-1002G-10G-SFP

10-Port Industrial Gigabit Unmanaged Ethernet Switch, with 8*10/100/1000Tx and 2*10G SFP+ Slots



Features

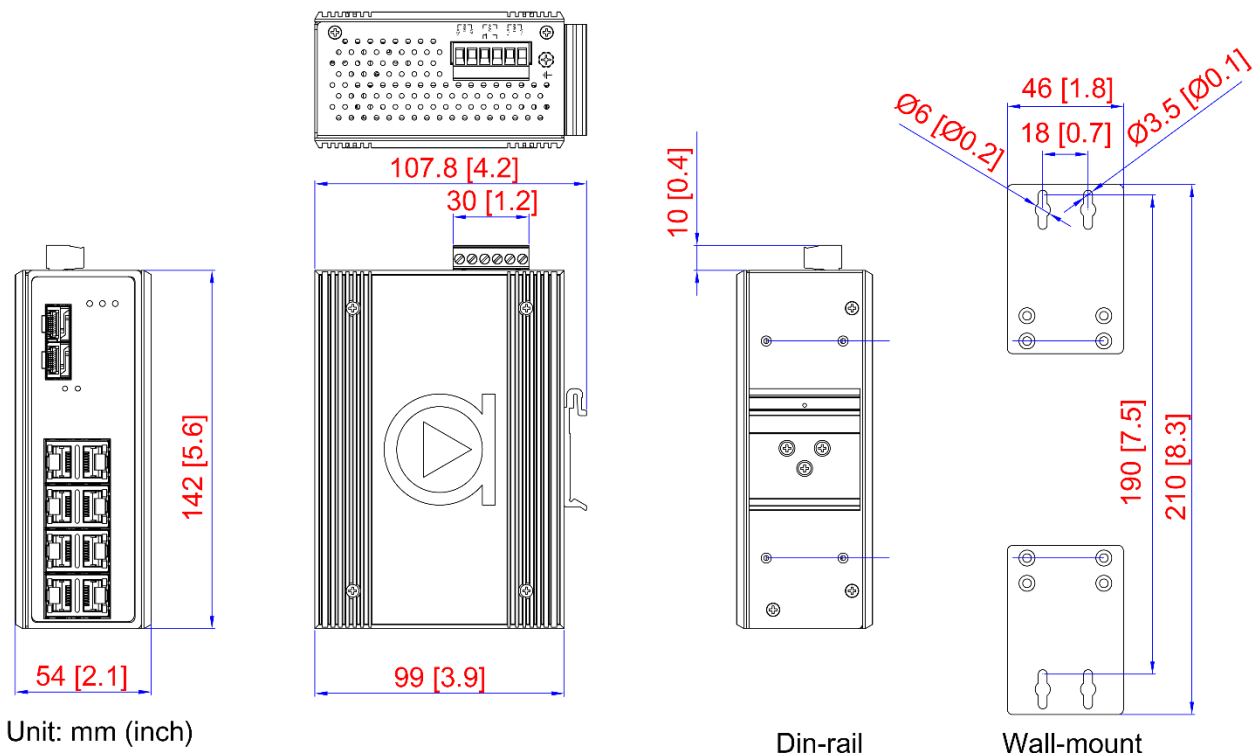
- ▶ Supports 8*10/100/1000Tx and 2*10G SFP+ Slots
- ▶ Store-and-Forward Switching Architecture
- ▶ 56Gbps Back-Plane (Switching Fabric)
- ▶ 16K MAC Address Table
- ▶ 9.6Kbytes Jumbo Frame Support
- ▶ Redundant Power Input Design: 12~48VDC
- ▶ Built-in 1 Relay Output for Power Failure Warning
- ▶ IP30 Rugged Metal Case Design
- ▶ DIN-Rail and Wall Mount Support Included
- ▶ Operating Temperature Range: -40°C~65°C
- ▶ 5-Year Warranty

INTRODUCTION

Antaira Technologies' LNX-1002G-10G-SFP are industrial gigabit unmanaged Ethernet switches featuring 8*10/100/1000Tx Gigabit Ethernet ports and 2*10G SFP+ slots which provide options for long-distance fiber connections, making it ideal for applications that demand high bandwidth and long-distance communication.

The LNX-1002G-10G-SFP are IP30 rated and DIN-rail mountable. These Ethernet switches are designed to support an operating temperature range from -40° to 65°C and are perfect industrial networking products to support any applications that require high bandwidth or high-density connections, such as power/utility, water wastewater treatment, oil/gas/mining, process control automation, security access control systems, and intelligent transportation systems.

DIMENSIONS



SPECIFICATIONS

Technology	
Standards	IEEE 802.3 10Tx Ethernet IEEE 802.3u 100Tx Fast Ethernet IEEE 802.3ab 1000Tx Gigabit Ethernet IEEE 802.3z 1000Base-X Gigabit Fiber IEEE 802.3ae 10 Gigabit Ethernet
Processing Type	Store and Forward
Protocol	CSMA/CD
Flow Control	IEEE 802.3x back pressure flow control
Switch Properties	
Switch Architecture	Back-Plane (Switching Fabric): 56.0Gbps 14,880pps for 10Base-T Ethernet 148,800pps for 100Base-T Fast Ethernet 1,488,000pps for 1000Base-T Gigabit Ethernet
Transfer Rate	14,880,000pps for 10 Gigabit Ethernet Port
Packet Buffer	8Mbits
Jumbo Frame	9.6Kbytes
MAC Table Size	16K
Port Interface	
Ethernet Port	8*10/100/1000Tx Auto negotiation speed, Full/Half duplex mode, and auto MDI/MDI-X connection
SFP Port	2*10G SFP+ slots System: Power 1, Power 2, Fault Ethernet Ports: On-Link/Flash-data transmitting
LED Indicators	PoE: On-connected to PD devices SFP: Link/Active
Network Cable	10Base-T: 2-pair UTP/STP Cat. 3, 4, 5 cable EIA/TIA-568 100-ohm (100m) 100Base-TX: 2-pair UTP/STP Cat. 5 cable EIA/TIA-568 100-ohm (100m) 1000BaseTX: 4-pair UTP/STP Cat.5/5E cable EIA/TIA-568 100-ohm (100m)

Mechanical Characteristics	
Housing	Metal, IP30 protection
Dimension	54 x 142 x 99 mm
Weight	Unit: 2.33 lbs.; Shipping: 2.95 lbs.
Mounting	DIN-Rail mounting, Wall mounting
Power Requirement	
Input Voltage	12~48VDC Redundant Input
Power Connection	1 removable 6-contact terminal block
Relay Contact	24VDC, 1A resistive
Overload Current Protection	Present
Power Reverse Polarity Protection	Present
System Power Consumption	10.2W
Environmental Limits	
Operating Temperature	-40°C to 65°C
Storage Temperature	-40°C ~ 85°C
Ambient Relative Humidity	5 to 95%, (non-condensing)
Regulatory Approvals	
EMI	FCC Part 15 Subpart B Class A, CE EN55032/EN61000-6-4 Class A
EMS	CE EN55035/EN61000-6-2 Class A, IEC61000-4-2,3,4,5,6,8
Free Fall	IEC60068-2-32
Shock	IEC60068-2-27
Vibration	IEC60068-2-6
Green	RoHS Compliant
Certifications	FCC, CE, UL 61010-1, 61010-2-201
Warranty	5 Years

ORDERING INFO

LNX-1002G-10G-SFP 10-Port Industrial Gigabit Unmanaged Ethernet Switch, with 8*10/100/1000Tx and 2*10G SFP+ Slots

LNX-1204G-10G-SFP

12-Port Industrial Gigabit Unmanaged Ethernet Switch, with 8*10/100/1000Tx, 2*1G SFP Slots, and 2*10G SFP+ Slots



Features

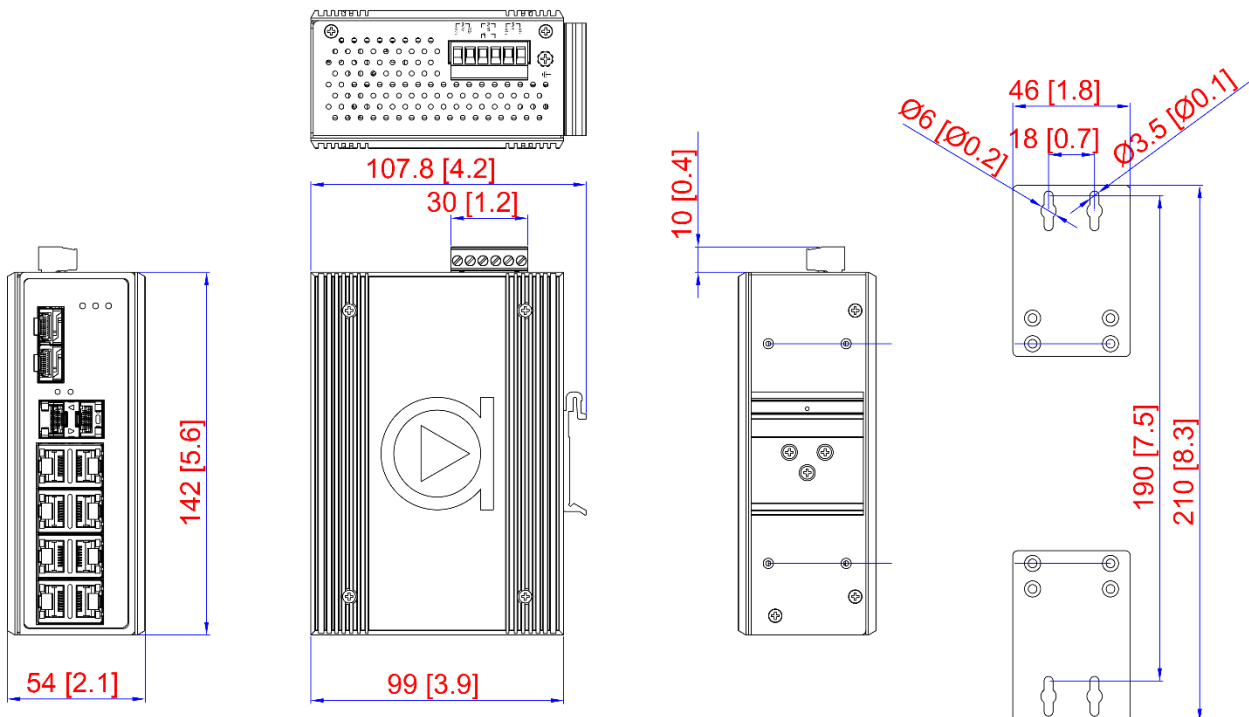
- ▶ Supports 8*10/100/1000Tx, 2*1G SFP Slots, and 2*10G SFP+ Slots
- ▶ Store-and-Forward Switching Architecture
- ▶ 60Gbps Back-Plane (Switching Fabric)
- ▶ 16K MAC Address Table
- ▶ 9.6Kbytes Jumbo Frame Support
- ▶ Redundant Power Input Design: 12~48VDC
- ▶ Built-in 1 Relay Output for Power Failure Warning
- ▶ IP30 Rugged Metal Case Design
- ▶ DIN-Rail and Wall Mount Support Included
- ▶ Operating Temperature Range: -40°C~65°C
- ▶ 5-Year Warranty

INTRODUCTIONS

Antaira Technologies' LNX-1204G-10G-SFP are industrial gigabit unmanaged Ethernet switches featuring 8*10/100/1000Tx Gigabit Ethernet ports, 2*1G SFP slots, and 2*10G SFP+ slots which provide options for long-distance fiber connections, making it ideal for applications that demand high bandwidth and long-distance communication.

The LNX-1204G-10G-SFP are IP30 rated and DIN-rail mountable. These Ethernet switches are designed to support an operating temperature range from -40° to 65°C and are perfect industrial networking products to support any applications that require high bandwidth or high-density connections, such as power/utility, water wastewater treatment, oil/gas/mining, process control automation, security access control systems, and intelligent transportation systems.

DIMENSIONS



Unit: mm (inch)

Din-rail

Wall-mount

SPECIFICATIONS

Technology	
Standards	IEEE 802.3 10Tx Ethernet
	IEEE 802.3u 100Tx Fast Ethernet
	IEEE 802.3ab 1000Tx Gigabit Ethernet
	IEEE 802.3z 1000X Gigabit Fiber
	IEEE 802.3ae 10 Gigabit Ethernet
Processing Type	Store and Forward
Protocol	CSMA/CD
Flow Control	IEEE 802.3x back pressure flow control
Switch Properties	
Switch Architecture	Back-Plane (Switching Fabric): 60.0Gbps 14,880pps for 10Base-T Ethernet 148,800pps for 100Base-T Fast Ethernet 1,488,000pps for 1000Base-T Gigabit Ethernet
Transfer Rate	14,880,000pps for 10 Gigabit Ethernet Port
Packet Buffer	8Mbits
Jumbo Frame	9.6Kbytes
MAC Table Size	16K
Port Interface	
Ethernet Port	8*10/100/1000Tx Auto negotiation speed, Full/Half duplex mode, and auto MDI/MDI-X connection
SFP Port	2*1G SFP slots 2*10G SFP+ slots
LED Indicators	System: Power 1, Power 2, Fault Ethernet Ports: On-Link/Flash-data transmitting SFP: On-Link/Flash-data transmitting
Network Cable	10Base-T: 2-pair UTP/STP Cat. 3, 4, 5 cable EIA/TIA-568 100-ohm (100m) 100Base-TX: 2-pair UTP/STP Cat. 5 cable EIA/TIA-568 100-ohm (100m) 1000BaseTX: 4-pair UTP/STP Cat.5/5E cable EIA/TIA-568 100-ohm (100m)

Mechanical Characteristics	
Housing	Metal, IP30 protection
Dimension	54 x 142 x 99 mm
Weight	Unit: 2.35 lbs.; Shipping: 2.97 lbs.
Mounting	DIN-Rail mounting, Wall mounting
Power Requirement	
Input Voltage	12~48VDC Redundant Input
Power Connection	1 removable 6-contact terminal block
Relay Contact	24VDC, 1A resistive
Overload Current Protection	Present
Power Reverse Polarity Protection	Present
System Power Consumption	11.3W
Environmental Limits	
Operating Temperature	-40°C to 65°C
Storage Temperature	-40°C ~ 85°C
Ambient Relative Humidity	5 to 95%, (non-condensing)
Regulatory Approvals	
EMI	FCC Part 15 Subpart B Class A, CE EN55032/EN61000-6-4 Class A
EMS	CE EN55035/EN61000-6-2 Class A, IEC61000-4-2,3,4,5,6,8
Free Fall	IEC60068-2-32
Shock	IEC60068-2-27
Vibration	IEC60068-2-6
Green	RoHS Compliant
Certifications	FCC, CE, UL 61010-1, 61010-2-201
Warranty	5 Years

ORDERING INFO

LNX-1204G-10G-SFP	12-Port Industrial Gigabit Unmanaged Ethernet Switch, with 8*10/100/1000Tx, 2*1G SFP Slots, and 2*10G SFP+ Slots
--------------------------	--

LNX-1600G Series

16-Port Industrial Gigabit Unmanaged Ethernet Switch, with 16*10/100/1000Tx



Features

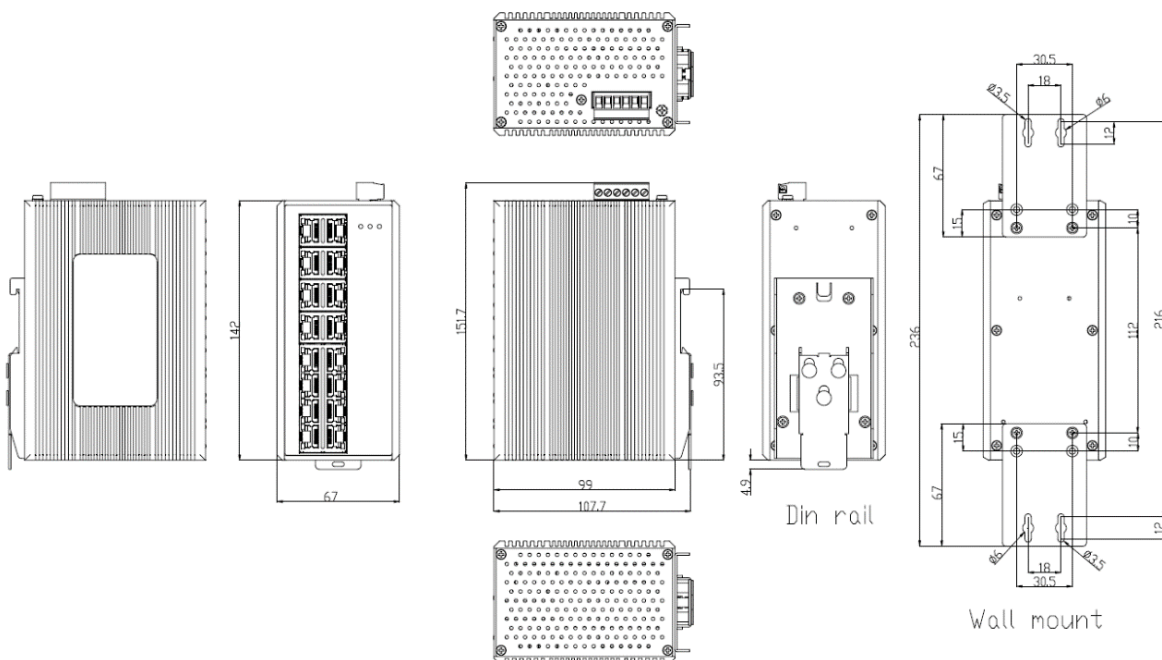
- ▶ Supports 16*10/100/1000Tx Gigabit Ethernet
- ▶ Built-in Relay for Power Redundancy Failure Warning
- ▶ IP30 Aluminum and Metal Case Design
- ▶ RJ45 Port Support Auto MDI / MDI-X Function
- ▶ Auto Negotiation Speed, Half / Full Duplex
- ▶ Store-and-Forward Switching Architecture
- ▶ Redundant Power Input: 12~48VDC
- ▶ Power Polarity Reverse Protection
- ▶ Overload Current Protection
- ▶ DIN-Rail and Wall Mount Support
- ▶ Tested at Heavy Industry EMS Level for the Best Electro-Magnetic Susceptibility
- ▶ Operating Temperature Range: STD: -10° to 65°C, EOT: -40° to 75°C
- ▶ 5-Year Warranty

INTRODUCTION

Antaira Technologies' LNX-1600G series is an industrial gigabit unmanaged Ethernet switch designed with sixteen gigabit Ethernet ports. It is IP30 rated and DIN-Rail mountable making it ideal for applications that demand high bandwidth and long-distance communication; such as, power/utility, water wastewater treatment plants, oil/gas/mining, process control automation, security access control systems, and intelligent transportation systems.

This product series has a hardened design providing high EFT and ESD protection to prevent any unregulated voltage. It also has a dual power input support of 12~48VDC. There are two wide operating temperature models to support either a -10° to 65°C or -40° to 75°C environment.

DIMENSIONS



SPECIFICATIONS

Technology	
Standards	IEEE 802.3 10Base-T Ethernet IEEE 802.3u 100Base-TX Fast Ethernet IEEE 802.3ab 1000BaseT
Processing Type	Store and Forward
Protocol	CSMA/CD
Flow Control	IEEE 802.3x back pressure flow control
Switch Properties	
Switch Architecture	Back-Plane: Non-Blocking Switching Fabric
Transfer Rate	14,880pps for Ethernet Port 148,800pps for Fast Ethernet Port 1,488,000pps for Gigabit Ethernet Port
Memory Buffer	512Kbytes
Jumbo Frame	9,216bytes
MAC Table Size	8K
Interface	
Ethernet Port	16*10/100/1000T(X), auto negotiation speed, Full/Half duplex mode, and auto MDI/MDI-X connection
LED Indicators	Power 1, Power 2, Fault Ethernet Ports: On- Link / Flashing- Data transmitting
Network Cable	10BaseT: 2-pair UTP/STP Cat. 3, 4, 5 cable EIA/TIA-568 100-ohm (100m) 100BaseTX: 2-pair UTP/STP Cat. 5 cable EIA/TIA-568 100-ohm (100m) 1000BaseTX: UTP/STP Cat.5/5E cable; EIA/TIA-568 100-ohm (100m)
Mechanical Characteristics	
Housing	Aluminum and Metal, IP30 protection
Dimensions	67 x 142 x 99 mm (W x H x D)
Weight	Unit: 2.65 lbs. Shipping: 3.09 lbs.
Mounting	DIN-Rail, Wall Mounting (optional)

Power Requirement	
Input Voltage	12 to 48VDC, Redundant Inputs
Power Connection	1 removable 6-contact terminal block
Reverse Polarity Protection	Present
Overload Current Protection	Present
Power Consumption	12Watts
Relay Contact	24VDC, 1A resistive
Environmental Limits	
Operating Temperature	STD: -10°C to 65°C EOT: -40°C to 75°C
Storage Temperature	-40°C to 85°C
Ambient Relative Humidity	5% to 95%, (non-condensing)
Regulatory Approvals	
EMI	FCC Part 15 Subpart B Class A, CE EN 55032 Class A, EN 61000-6-4 Class A
EMS	CE EN 55024 Class A, EN 61000-6-2 Class A, IEC61000-4-2 (ESD), IEC61000-4-3 (RS), IEC61000-4-4 (EFT), IEC61000-4-5 (Surge), IEC61000-4-6 (CS), IEC61000-4-8 (Magnetic Field)
Free Fall	IEC60068-2-32
Shock	IEC60068-2-27
Vibration	IEC60068-2-6
Green	RoHS Compliant
Certifications	FCC, CE
Warranty	5 Years

ORDERING INFO

LNX-1600G	16-Port Industrial Gigabit Unmanaged Ethernet Switch, with 16*10/100/1000Tx
LNX-1600G-T	16-Port Industrial Gigabit Unmanaged Ethernet Switch, with 16*10/100/1000Tx; EOT: -40°C to 75°C

Optional Accessories

HDR-30-24	30W Industrial DIN-Rail Power Supply, 24VDC
HDR-60-24	60W Industrial DIN-Rail Power Supply, 24VDC
EDR-75-48	75W Industrial DIN-Rail Power Supply, 48VDC

SPECIFICATIONS

Technology	
Standards	IEEE 802.3 10Base-T Ethernet IEEE 802.3u 100Base-TX Fast Ethernet IEEE 802.3ab 1000BaseT IEEE 802.3z 1000Base-X Gigabit Fiber
Processing Type	Store and Forward
Protocol	CSMA/CD
Flow Control	IEEE 802.3x back pressure flow control
Switch Properties	
Switch Architecture	Back-Plane: Non-Blocking Switching Fabric
Transfer Rate	14,880pps for Ethernet Port 148,800pps for Fast Ethernet Port 1,488,000pps for Gigabit Ethernet Port
Memory Buffer	512Kbytes
Jumbo Frame	9,216bytes
MAC Table Size	8K
Interface	
Ethernet Port	16*10/100/1000T(X), auto negotiation speed, Full/Half duplex mode, and auto MDI/MDI-X connection
Fiber Port	2*100/1000 SFP slots
LED Indicators	Power 1, Power 2, Fault Ethernet Ports: On- Link / Flashing- Data transmitting SFP: Link / Act
Wavelength	Depends on SFP modules
Network Cable	10BaseT: 2-pair UTP/STP Cat. 3, 4, 5 cable EIA/TIA-568 100-ohm (100m) 100BaseTX: 2-pair UTP/STP Cat. 5 cable EIA/TIA-568 100-ohm (100m) 1000BaseTX: UTP/STP Cat.5/5E cable; EIA/TIA-568 100-ohm (100m)
Optical Cable	Multi-mode cable – 50/125um or 62.5/125um Single-mode cable – 9/125um or 10/125um
Mechanical Characteristics	
Housing	Aluminum and Metal, IP30 protection
Dimensions	67 x 142 x 99 mm (W x H x D)
Weight	Unit: 2.65 lbs. Shipping: 3.09 lbs.
Mounting	DIN-Rail, Wall Mounting (optional)

Power Requirement	
Input Voltage	12 to 48VDC, Redundant Inputs
Power Connection	1 removable 6-contact terminal block
Reverse Polarity Protection	Present
Overload Current Protection	Present
Power Consumption	16.5Watts for System
Relay Contact	24VDC, 1A resistive
Environmental Limits	
Operating Temperature	STD: -10°C to 65°C EOT: -40°C to 75°C
Storage Temperature	-40°C to 85°C
Ambient Relative Humidity	5% to 95%, (non-condensing)
Regulatory Approvals	
EMI	FCC Part 15 Subpart B Class A, CE EN 55032 Class A, EN 61000-6-4 Class A
EMS	CE EN 55024 Class A, EN 61000-6-2 Class A, IEC61000-4-2 (ESD), IEC61000-4-3 (RS), IEC61000-4-4 (EFT), IEC61000-4-5 (Surge), IEC61000-4-6 (CS), IEC61000-4-8 (Magnetic Field)
Free Fall	IEC60068-2-32
Shock	IEC60068-2-27
Vibration	IEC60068-2-6
Green	RoHS Compliant
Certifications	FCC, CE
Warranty	5 Years

ORDERING INFO

LNX-1802G-SFP	18-Port Industrial Gigabit Unmanaged Ethernet Switch, with 16*10/100/1000Tx + 2*100/1000 SFP Slots
LNX-1802G-SFP-T	18-Port Industrial Gigabit Unmanaged Ethernet Switch, with 16*10/100/1000Tx + 2*100/1000 SFP Slots; EOT: -40°C to 75°C

Optional Accessories	
HDR-30-24	30W Industrial DIN-Rail Power Supply, 24VDC
HDR-60-24	60W Industrial DIN-Rail Power Supply, 24VDC
EDR-75-48	75W Industrial DIN-Rail Power Supply, 48VDC

SPECIFICATIONS

Technology	
Standards	IEEE 802.3 10Base-T Ethernet IEEE 802.3u 100Base-TX Fast Ethernet IEEE 802.3ab 1000BaseT IEEE 802.3z 1000Base-X Gigabit Fiber
Processing Type	Store and Forward
Protocol	CSMA/CD
Flow Control	IEEE 802.3x back pressure flow control
Switch Properties	
Switch Architecture	Back-Plane: Non-Blocking Switching Fabric
Transfer Rate	14,880pps for Ethernet Port 148,800pps for Fast Ethernet Port 1,488,000pps for Gigabit Ethernet Port
Memory Buffer	512Kbytes
Jumbo Frame	9,216bytes
MAC Table Size	8K
Interface	
Ethernet Port	16*10/100/1000T(X), auto negotiation speed, Full/Half duplex mode, and auto MDI/MDI-X connection
Fiber Port	4*100/1000 SFP slots
LED Indicators	Power 1, Power 2, Fault Ethernet Ports: On- Link / Flashing- Data transmitting SFP: Link / Act
Wavelength	Depends on SFP modules
Network Cable	10BaseT: 2-pair UTP/STP Cat. 3, 4, 5 cable EIA/TIA-568 100-ohm (100m) 100BaseTX: 2-pair UTP/STP Cat. 5 cable EIA/TIA-568 100-ohm (100m) 1000BaseTX: UTP/STP Cat.5/5E cable; EIA/TIA-568 100-ohm (100m)
Optical Cable	Multi-mode cable – 50/125um or 62.5/125um Single-mode cable – 9/125um or 10/125um
Mechanical Characteristics	
Housing	Aluminum and Metal, IP30 protection
Dimensions	67 x 142 x 99 mm (W x H x D)
Weight	Unit: 2.65 lbs. Shipping: 3.09 lbs.
Mounting	DIN-Rail, Wall Mounting (optional)

Power Requirement	
Input Voltage	12 to 48VDC, Redundant Inputs
Power Connection	1 removable 6-contact terminal block
Reverse Polarity Protection	Present
Overload Current Protection	Present
Power Consumption	16.5Watts for System
Relay Contact	24VDC, 1A resistive
Environmental Limits	
Operating Temperature	STD: -10°C to 65°C EOT: -40°C to 75°C
Storage Temperature	-40°C to 85°C
Ambient Relative Humidity	5% to 95%, (non-condensing)
Regulatory Approvals	
EMI	FCC Part 15 Subpart B Class A, CE EN 55032 Class A, EN 61000-6-4 Class A
EMS	CE EN 55024 Class A, EN 61000-6-2 Class A, IEC61000-4-2 (ESD), IEC61000-4-3 (RS), IEC61000-4-4 (EFT), IEC61000-4-5 (Surge), IEC61000-4-6 (CS), IEC61000-4-8 (Magnetic Field)
Free Fall	IEC60068-2-32
Shock	IEC60068-2-27
Vibration	IEC60068-2-6
Green	RoHS Compliant
Certifications	FCC, CE
Warranty	5 Years

ORDERING INFO

LNX-2004G-SFP	20-Port Industrial Gigabit Unmanaged Ethernet Switch, with 16*10/100/1000Tx + 4*100/1000 SFP Slots
LNX-2004G-SFP-T	20-Port Industrial Gigabit Unmanaged Ethernet Switch, with 16*10/100/1000Tx + 4*100/1000 SFP Slots; EOT: -40°C to 75°C

Optional Accessories	
HDR-30-24	30W Industrial DIN-Rail Power Supply, 24VDC
HDR-60-24	60W Industrial DIN-Rail Power Supply, 24VDC
EDR-75-48	75W Industrial DIN-Rail Power Supply, 48VDC

LNX-C501G-SFP Series

5-Port Industrial Compact Gigabit Unmanaged Ethernet Switch, 4*10/100/1000TX and 1*100/1000 SFP Slot



FEATURES

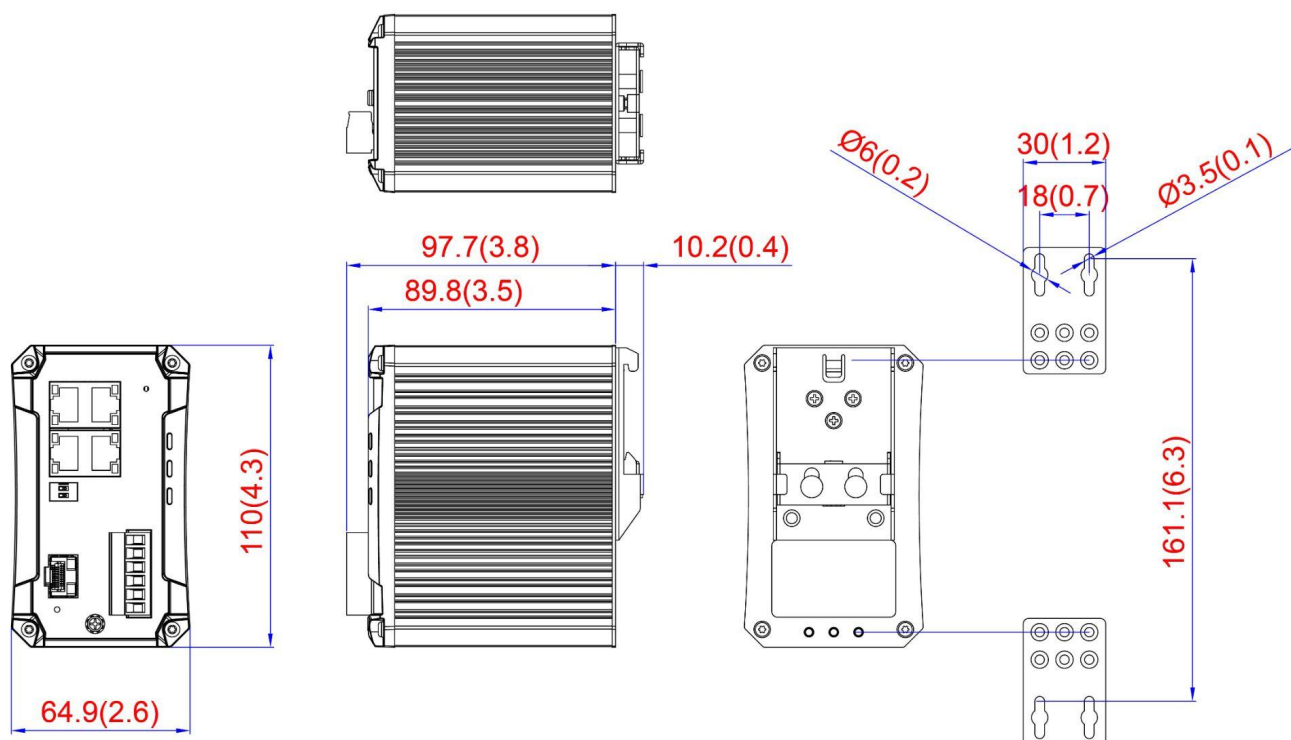
- ▶ Support 4*10/100/1000Tx and 1*100/1000 SFP Slot
- ▶ Adjustable SFP Speed with DIP-Switch Setting
- ▶ Store-and-Forward Switching Architecture
- ▶ Dual Power Input 12~48VDC in 6-Pin Terminal Block
- ▶ Support Power Inputs Reverse Polarity Protection
- ▶ IP40 Protection
- ▶ DIN-Rail or Wall Mountable
- ▶ Operating Temperature - STD: -10°C to 65°C, EOT: -40°C to 75°C
- ▶ 5-Year Warranty



INTRODUCTION

Antaira Technologies' LNX-C501G-SFP Series is a 5-port industrial compact Gigabit unmanaged Ethernet switch embedded with 4*10/100/1000Tx Ethernet ports and 1*100/1000 dual rate SFP slot for fiber connection. The LNX-C501G-SFP series is IP40 rated and DIN-rail mountable. There are also two wide-operating temperature models for either a standard temperature range (STD: -10°C to 65°C) or an extended temperature range (EOT: -40°C to 75°C). It also provides high EFT and ESD protection for industrial networking applications, such as power/utility, water wastewater, oil/gas/mining, factory automation, security surveillance, ITS, and any other outdoor or harsh environment.

DIMENSIONS



Unit: mm (inch)

Din-rail

Wall-mount

SPECIFICATIONS

TECHNOLOGY

Standards	IEEE 802.3 10Base-T Ethernet IEEE 802.3u 100Base-TX Fast Ethernet IEEE 802.3ab 1000Base-T Gigabit Ethernet IEEE 802.3z 1000Base-X Gigabit Fiber
------------------	--

SWITCH PROPERTIES

Switch Architecture	Switching Fabric (Back-Plane): 10Gbps
Processing Type	Store and Forward
Flow Control	IEEE 802.3x flow control, back pressure flow control
Protocol	CSMA/CD
Transfer Rate	14,880pps for Ethernet 148,800pps for Fast Ethernet 1,488,000pps for Gigabit Ethernet
MAC Table Size	8K
Jumbo Frame	10Kbytes
Memory Buffer	1Mbit

PORT INTERFACE

Ethernet Port	4*10/100/1000Base-TX, auto negotiation speed, Full/Half duplex mode, and auto MDI/MDI-X connection
SFP Port	1*100/1000 SFP Slot
LED Indicators	System: Power 1, Power 2, Fault Ethernet ports: Speed/Link/Active SFP: Speed/Link/Active
DIP Switch	SFP Speed (1000Mbps/100Mbps)
Network Cable	10BaseT: 2-pair UTP/STP Cat. 3, 4, 5 cable EIA/TIA-568 100-ohm (100m) 100BaseTX: 2-pair UTP/STP Cat. 5 cable EIA/TIA-568 100-ohm (100m) 1000BaseTX: UTP/STP Cat. 5/5E cable; EIA/TIA-568 100-ohm (100m)

MECHANICAL CHARACTERISTICS

Housing	Metal, IP40 protection
Dimension	64.9 x 110 x 89.8 mm (W x H x D)
Weight	Unit: 0.70 lb Shipping: 1.00 lb
Mounting	DIN-Rail mounting, Wall mounting

POWER REQUIREMENT

Input Voltage	12~48VDC Redundant Input
Power Connection	1 removable 6-contact terminal block
Relay Contact	24VDC, 1A resistive
Overload Current Protection	Present (Slow-Blown Fuse)
Reverse Polarity Protection	Present
System Power Consumption	4.6 Watts

ENVIRONMENTAL LIMITS

Operating Temperature	STD: -10°C to 65°C EOT: -40°C to 75°C
Storage Temperature	-40°C ~ 85°C
Ambient Relative Humidity	5 to 95%, (non-condensing)

REGULATORY APPROVALS

EMI	FCC Part 15 Subpart B Class A, CE EN55032/EN61000-6-4 Class A
EMS	CE EN55035/EN61000-6-2, IEC61000-4-2,3,4,5,6,8
Certifications	FCC, CE
Warranty	5 Years

ORDERING INFORMATION

LNX-C501G-SFP	5-Port Compact Industrial Gigabit Unmanaged Ethernet Switch, 4*10/100/1000TX and 1*100/1000 SFP Slot
LNX-C501G-SFP-T	5-Port Compact Industrial Gigabit Unmanaged Ethernet Switch, 4*10/100/1000TX and 1*100/1000 SFP Slot; EOT: -40°C to 75°C

LNX-C800G Series

8-Port Industrial Compact Unmanaged Ethernet Switch, with 8*10/100/1000Tx



Features

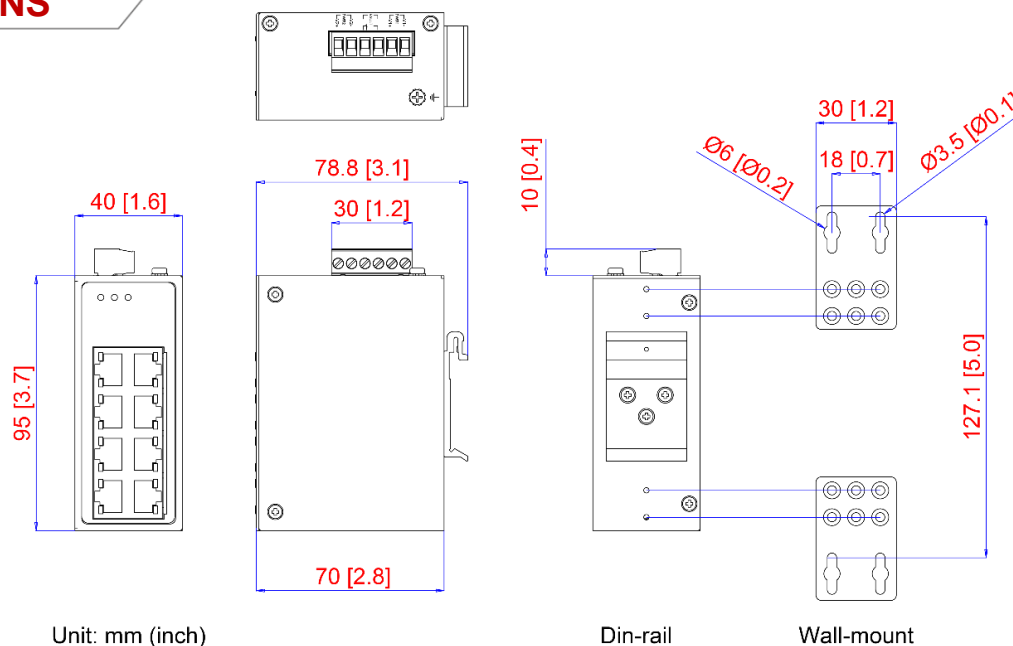
- ▶ Compact Industrial Grade Design
- ▶ Supports 8-Port 10/100/1000Tx RJ45 Fast Ethernet
- ▶ Supports Auto MDI/MDI-X Function
- ▶ Store-and-Forward Switching Architecture
- ▶ Redundant Power Input Design: 12~48VDC
- ▶ Power Polarity Reverse Protection
- ▶ Overload Current Protection
- ▶ IP30 Rugged Metal Case Design
- ▶ DIN-Rail and Wall Mount Support
- ▶ Operating Temperature Range:
 - STD: -10° to 65°C, EOT: -40° to 75°C
- ▶ 5-Year Warranty

INTRODUCTION

Antaira Technologies' LNX-C800G series is a compact 8-port industrial Ethernet switch. The small form factor of this metal IP30 rated industrial switch is 30% smaller allowing for a more versatile implementation. The LNX-C800G series is equipped with 8*10/100/1000Tx RJ45 Ethernet ports; with a backplane speed of 16gbps. The industrial-grade design and compact size of the LNX-C800G series makes this the ideal unit for integration into projects or other applications that need a small footprint.

The LNX-C800G series supports reverse polarity and overload current protection. This product series supports DIN-rail as well as wall-mountable orientations and provides operating temperature range models in STD: -10°C to 65°C and EOT: -40°C to 75°C. This is an industrial-grade unit applicable for networking applications in factory automation, ITS, power/utility, water wastewater treatment plants, or any application that needs a compact solution.

DIMENSIONS



SPECIFICATIONS

Technology		Mechanical Characteristics	
Standards	IEEE 802.3 10Tx Ethernet IEEE 802.3u 100Tx Fast Ethernet IEEE 802.3ab 1000BaseT Gigabit Ethernet	LED Indicator	Per Unit: Power 1 & 2, and Fault
Switch Properties		Housing	Metal IP30 rated
Protocol	CSMA/CD	Dimensions	40 x 95 x 70 mm
Processing Type	Store and Forward	Weight	Unit: 0.72 lb; Shipping: 1.03 lbs
Transfer Rate	14,880pps for 10Base-T Ethernet port 148,800pps for 100Base-T Fast Ethernet port 1,488,000pps for Gigabit Ethernet port	Mounting	DIN-Rail; Wall-mount (optional)
Switching Fabric (Back-Plane)	16Gbps	Power Requirement	
Jumbo Frame	9,216 bytes	Input Voltage	12-48VDC Redundant Input
Packet Buffer	512 Kbits	Power Connection	1 removable 6-contact terminal block
MAC Table	4K	Power Consumption	4Watts
Flow Control	IEEE 802.3x for full duplex mode, back pressure for half duplex mode	Environmental Limits	
Port Interface		Operating Temperature	STD: -10° to 65°C EOT: -40° to 75°C
Ethernet RJ45 Port	8*10/100/1000BaseTx auto negotiation speed, Full/Half duplex mode, and auto MDI/MDI-X connection	Storage Temperature	-40°C ~ 85°C
Protection		Ambient Relative Humidity	5 to 95%, (non-condensing)
Overload Current Protection	Present (Slow-Blown Fuse)	Regulatory Approvals	
Power Reverse Polarity	Present	EMI	FCC Part 15 Subpart B Class A, CE EN55032/EN61000-6-4 Class A
Network Cable	10Base-T: 2-pair UTP/STP Cat. 3, 4, 5 cable EIA/TIA-568 100-ohm (100m) 100Base-TX: 2-pair UTP/STP Cat. 5 cable EIA/TIA-568 100-ohm (100m) 1000Base-TX: 4-pair UTP/STP Cat.5/5E cable; EIA/TIA-568 100-ohm (100m)	EMS	CE EN55035/EN61000-6-2, IEC61000-4-2,3,4,5,6,8
		Free Fall	IEC60068-2-32
		Shock	IEC60068-2-27
		Vibration	IEC60068-2-6
		Green	RoHS Compliant
		Certifications	FCC, CE, UL 61010-1, 61010-2-201
		Warranty	5 Years

ORDERING INFO

LNX-C800G	8-Port Industrial Compact Unmanaged Ethernet Switch with 8*10/100/1000Tx
LNX-C800G-T	8-Port Industrial Compact Unmanaged Ethernet Switch with 8*10/100/1000Tx; EOT: -40° to 75°C

LNX-500AG Series

5-Port Industrial Gigabit Unmanaged Ethernet Switch, with 5*10/100/1000Tx



Features

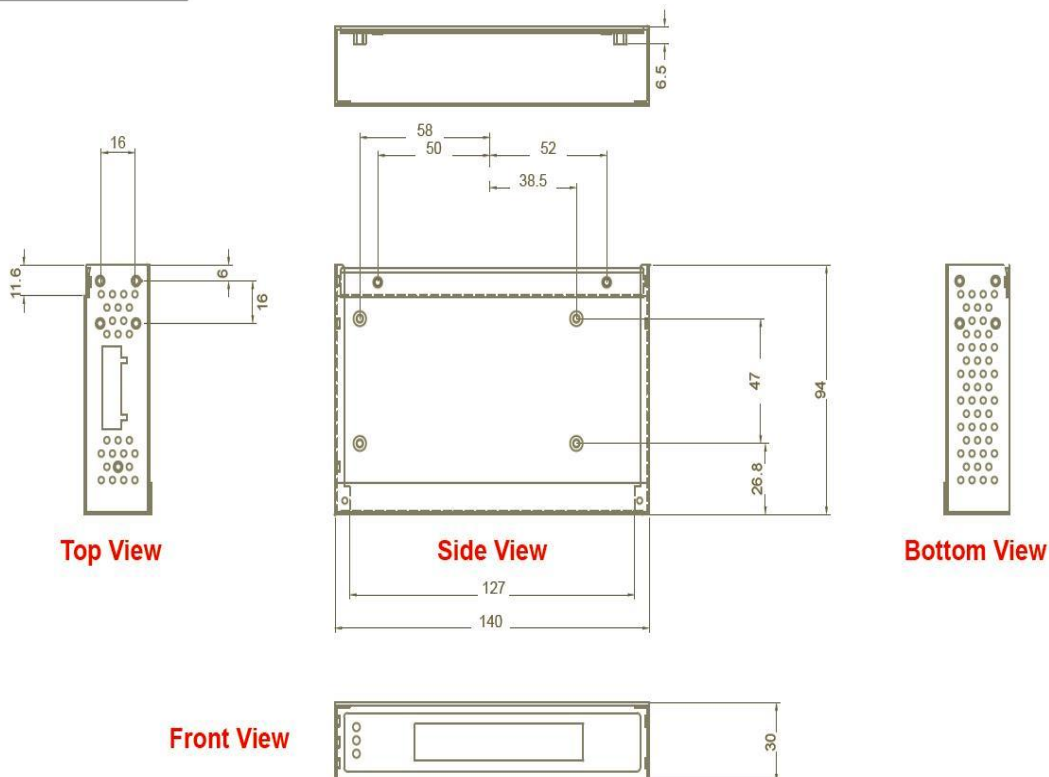
- ▶ Supports 5-Port 10/100/1000Tx RJ45 Fast Ethernet
- ▶ Supports Auto MDI/MDI-X Function
- ▶ Store-and-Forward Switching Architecture
- ▶ 10Gbps Back-Plane (Switching Fabric)
- ▶ 8K MAC Address Table
- ▶ Surge Protection: 2,000 VDC Support
- ▶ ESD Protection: 6,000 VDC Support
- ▶ Redundant Power Input Design: 12~48VDC
- ▶ Built-in 1 Relay Output for Power Failure Warning
- ▶ IP30 Rugged Metal Case Design
- ▶ DIN-Rail and Wall Mount Support
- ▶ Operating Temperature Range - STD: -10° to 70°C, EOT: -40° to 75°C
- ▶ 5-Year Warranty

INTRODUCTION

Antaira Technologies' LNX-500AG industrial Gigabit unmanaged Ethernet switch series is IP30 rated and DIN-Rail mountable with 5*10/100/1000Tx, making it ideal for applications that demand a high bandwidth connectivity solution.

This series provides a high EFT and ESD protection that has a dual power input with a reverse power polarity protection. In addition, the built-in relay warning function alerts maintainers when power failures occur. There is a wide operating temperature model that supports -40 to 75°C. The LNX-500AG series is an ideal solution for harsh outdoor weather environments and industrial applications.

DIMENSIONS



SPECIFICATIONS

Technology	
Standards	IEEE 802.3 10BaseTx Ethernet IEEE 802.3u 100BaseTx Fast Ethernet IEEE 802.3az Gigabit Fiber
Processing Type	Store and Forward
Protocol	CSMA/CD
Flow Control	IEEE 802.3x back pressure flow control
Switch Properties	
Switch Architecture	Back-Plane (Switching Fabric): 10Gbps 14,880pps for Ethernet Port 148,800pps for Fast Ethernet Port 1,488,000pps for Gigabit Ethernet Port
Transfer Rate	
Memory Buffer	131 Kbits
Jumbo Frame	9.6Kbytes
MAC Table Size	8K
Interface	
Ethernet Port	5*10/100/1000Tx RJ45
Fiber Port	-
Network Cable	10Base Tx: 2-pair UTP/STP Cat. 3,4,5 100Base Tx: 2-pair UTP/STP Cat. 5 1000Base Tx: 2-pair UTP/STP Cat. 5/5E
Power Requirements	
Input Voltage	12~48VDC, Redundant Input
Overload Current Protection	Present
Connection	1 removable 6-contact terminal block
Reverse Polarity Protection	Yes
Power Consumption	5 Watts

Mechanical Characteristics	
Housing	Metal, IP30 protection
Dimensions	30 x 140 x 95 mm (W x H x D)
Weight	Unit: 1.0 lbs. Shipping Weight: 1.5 lbs.
Mounting	DIN-Rail, Wall mounting (optional)
Environmental Limits	
Operating Temperature	STD: -10° to 70°C EOT: -40° to 75°C
Storage Temperature	-40°C ~ 85°C
Ambient Relative Humidity	5 to 95%, (non-condensing)
Regulatory Approvals	
EMI	FCC Class A
EMS	EN61000-4-2,3,4,5,6,8, EN61000-6-2,4
Free Fall	IEC60068-2-32
Shock	IEC60068-2-27
Vibration	IEC60068-2-6
Green	RoHS Compliant
Certifications	FCC, CE, UL 60950-1, UL 61010-1, UL 61010-2-201, UL Class 1 Division 2, ISA 12.12.01
Warranty	5 Years

ORDERING INFO

LNX-500AG	5-Port Industrial Gigabit Unmanaged Ethernet Switch, with 5*10/100/1000Tx
LNX-500AG-T	5-Port Industrial Gigabit Unmanaged Ethernet Switch, with 5*10/100/1000Tx ; EOT: -40° to 75°C

Optional Accessories	
MDR-10-24	10W Industrial Din Rail Power Supply, 24VDC
DR-15-24	15W Industrial Din Rail Power Supply, 24VDC
DR-45-24	45W Industrial Din Rail Power Supply, 24VDC
DR-75-48	75W Industrial Din Rail Power Supply, 48VDC

LNX-0501G-SFP Series

5-Port Industrial Unmanaged Ethernet Switch, with 4*10/100/1000Tx and 1*100/1000 SFP Slot



Features

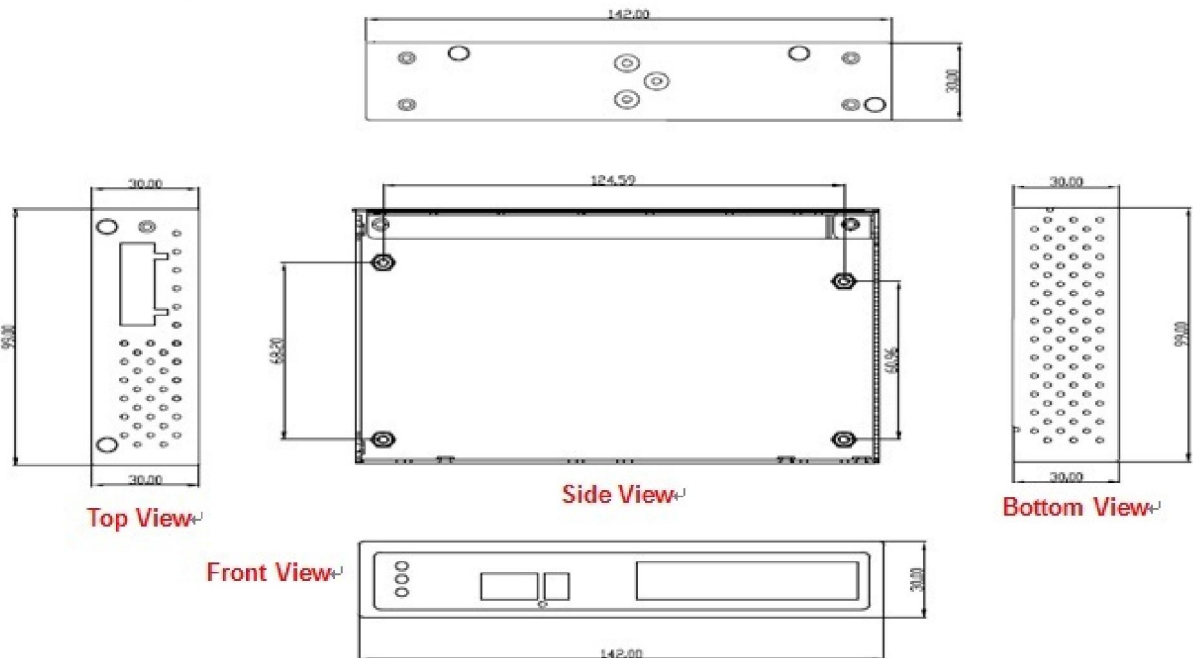
- ▶ Supports 4-Port 10/100/1000Tx and 1*100/1000 Dual Rate SFP Slot (for fiber)
- ▶ Supports Auto MDI/MDI-X Function
- ▶ Store-and-Forward Switching Architecture
- ▶ 8K MAC Address Table
- ▶ Jumbo Frame 9.6Kbytes Support
- ▶ Surge Protection: 2,000 VDC Support
- ▶ ESD Protection: 6,000 VDC Support
- ▶ IEEE 802.3az Energy Efficient Ethernet Support
- ▶ Redundant Power Input Design: 12~48VDC
- ▶ Built-in 1 Relay Output for Power Failure Warning
- ▶ IP30 Rugged Metal Case Design
- ▶ DIN-Rail and Wall Mount Support
- ▶ Operating Temperature Range – STD: -10° to 70°C, EOT: -40° to 75°C
- ▶ 5-Year Warranty

INTRODUCTION

Antaira Technologies' LNX-0501G-SFP series industrial Gigabit unmanaged Ethernet switch series is IP30 rated and DIN-Rail mountable with 4*10/100/1000Tx + 1*100/1000 SFP slot for fiber, making it ideal for applications that demand high bandwidth and long-distance communication. Plus, it is designed with IEEE 802.3az that supports energy efficient Ethernet to help reduce power consumption by 50% or more.

This series provides a high EFT and ESD protection that has a dual power input having a reverse power polarity protection. In addition, the built-in relay warning function alerts maintainers when power failures occur. There is a wide operating temperature model that supports -40° to 75°C. The LNX-0501G-SFP series is an ideal solution for harsh outdoor weather environments and industrial applications.

DIMENSIONS



SPECIFICATIONS

Technology	
Standards	IEEE 802.3 10BaseTx Ethernet IEEE 802.3u 100BaseTx Fast Ethernet IEEE 802.3ab 1000BaseTx Gigabit Ethernet IEEE 802.3z Gigabit Fiber IEEE 802.3az Energy Efficient Ethernet
Processing Type	Store-and-Forward
Protocol	CSMA/CD
Flow Control	IEEE 802.3x back pressure flow control
Switch Properties	
Transfer Rate	14,880pps for Ethernet Port 148,800pps for Fast Ethernet Port 1,488,000pps for Gigabit Ethernet Port
Memory Buffer	4Mbps (default)
Jumbo Frame	9.6K
MAC Table Size	8K
Interface	
Ethernet Port	4*RJ45 Ports w/10/100/1000Tx
Fiber Port	1*100/1000 SFP Slot
Network Cable	10Base Tx: 2-pair UTP/STP Cat. 3,4,5 100Base Tx: 2-pair UTP/STP Cat. 5 1000Base Tx: 2-pair UTP/STP Cat. 5/5E
Mechanical Characteristics	
Housing	Metal, IP30 protection
Dimensions	30 x 99 x 142 mm
Weight	Unit: 1.0 lb Shipping: 1.5 lbs
Mounting	DIN-Rail, Wall mounting (Optional)

Power Requirement	
Input Voltage	12~48VDC, Redundant Input
Power Connection	1 removable 6-contact terminal block
Reverse Polarity Protection	Present
Overload Current Protection	Present
Power Consumption	5 Watts
Environmental Limits	
Operating Temperature	STD: -10° to 70°C EOT: -40° to 75°C
Storage Temperature	-40°~85°C
Ambient Relative Humidity	5 to 95%, (Non-condensing)
Regulatory Approvals	
EMI	FCC Class A
EMS	EN61000-4-2,3,4,5,6,8 EN61000-6-2,4
Free Fall	IEC60068-2-32
Shock	IEC60068-2-27
Vibration	IEC60068-2-6
Green	RoHS Compliant
Certifications	FCC, CE, UL 61010-1, 61010-2-201, UL Class 1 Division 2, ISA 12.12.01
Warranty	5 Years

ORDERING INFO

LNX-0501G-SFP	5-Port Industrial Gigabit Unmanaged Ethernet Switch, w/4*10/100/1000Tx + 1*100/1000 SFP Slot
LNX-0501G-SFP-T	5-Port Industrial Gigabit Unmanaged Ethernet Switch, w/4*10/100/1000Tx + 1*100/1000 SFP Slot, EOT: -40° to 75°C

Optional Accessories

DR-15-24	15W Industrial DIN-Rail Power Supply, 24VDC
DR-45-24	45W Industrial DIN-Rail Power Supply, 24VDC
MDR-60-48	60W Industrial DIN-Rail Power Supply, 48VDC
DR-75-48	75W Industrial DIN-Rail Power Supply, 48VDC

LNX-0601G-SFP Series

6-Port Industrial Unmanaged Ethernet Switch, with 5*10/100/1000Tx and 1*100/1000 SFP Slot



Features

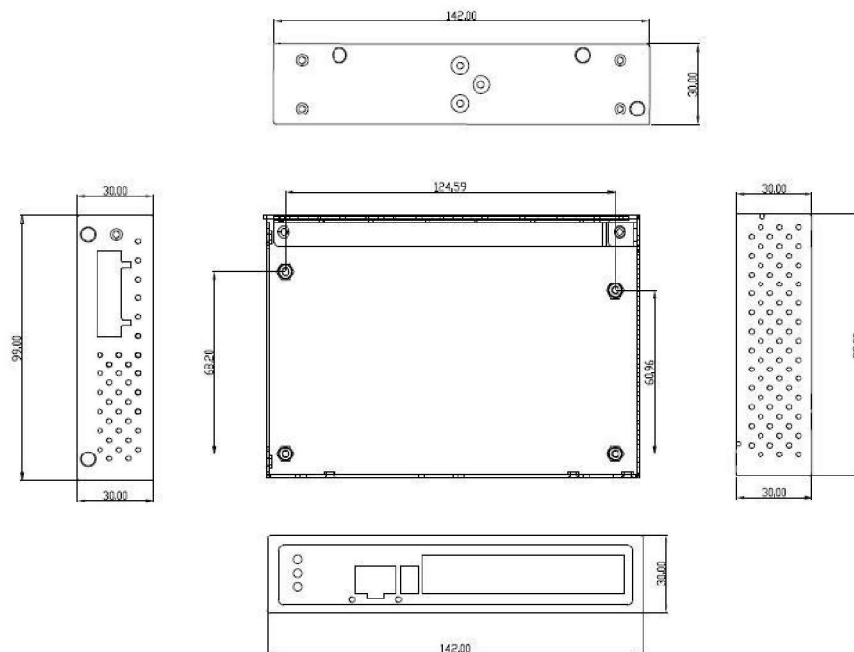
- ▶ Supports 5-Port 10/100/1000Tx and 1*100/1000 Dual Rate SFP Slot (for fiber)
- ▶ Supports Auto MDI/MDI-X Function
- ▶ Store-and-Forward Switching Architecture
- ▶ 8K MAC Address Table
- ▶ Jumbo Frame 9.6Kbytes Support
- ▶ Surge Protection: 2,000 VDC Support
- ▶ ESD Protection: 6,000 VDC Support
- ▶ IEEE 802.3az Energy Efficient Ethernet Support
- ▶ Redundant Power Input Design: 12~48VDC
- ▶ Built-in 1 Relay Output for Power Failure Warning
- ▶ IP30 Rugged Metal Case Design
- ▶ DIN-Rail and Wall Mount Support
- ▶ Operating Temperature Range – STD: -10° to 70°C, EOT: -40° to 75°C
- ▶ 5-Year Warranty

INTRODUCTION

Antaira Technologies' LNX-0601G-SFP series industrial Gigabit unmanaged Ethernet switch series is IP30 rated and DIN-Rail mountable with 5*10/100/1000Tx + 1*100/1000 SFP slot for fiber, making it ideal for applications that demand high bandwidth and long-distance communication. Plus, it is designed with IEEE 802.3az that supports energy efficient Ethernet to help reduce power consumption by 50% or more.

This series provides a high EFT and ESD protection that has a dual power input with a reverse power polarity protection. In addition, the built-in relay warning function alerts maintainers when power failures occur. There is a wide operating temperature model that supports -40 to 75°C. The LNX-0501G-SFP series is an ideal solution for harsh outdoor weather environments and industrial applications.

DIMENSIONS



SPECIFICATIONS

Technology		Power Requirement	
Standards	IEEE 802.3 10BaseTx Ethernet	Input Voltage	12~48VDC, Redundant Input
	IEEE 802.3u 100BaseTx Fast Ethernet	Power Connection	1 removable 6-contact terminal block
	IEEE 802.3ab 1000BaseTx Gigabit Ethernet	Reverse Polarity Protection	Present
	IEEE 802.3z Gigabit Fiber	Overload Current Protection	Present
	IEEE 802.3az Energy Efficient Ethernet	Power Consumption	6.9 Watts
Processing Type	Store-and-Forward	Environmental Limits	
Protocol	CSMA/CD	Operating Temperature	STD: -10° to 70°C EOT: -40° to 75°C
Flow Control	IEEE 802.3x back pressure flow control	Storage Temperature	-40°~85°C
Switch Properties		Ambient Relative Humidity	5 to 95%, (Non-condensing)
Transfer Rate	14,880pps for Ethernet Port 148,800pps for Fast Ethernet Port 1,488,000pps for Gigabit Ethernet Port	Regulatory Approvals	
Memory Buffer	4Mbps (default)	EMI	FCC Class A
Jumbo Frame	9.6K	EMS	EN61000-4-2,3,4,5,6,8 EN61000-6-2,4
MAC Table Size	8K	Free Fall	IEC60068-2-32
Interface		Shock	IEC60068-2-27
Ethernet Port	5*RJ45 Ports w/10/100/1000Tx	Vibration	IEC60068-2-6
Fiber Port	1*100/1000 SFP Slot	Green	RoHS Compliant
Network Cable	10Base Tx: 2-pair UTP/STP Cat. 3,4,5	Certifications	FCC, CE, UL 61010-1, 61010-2-201, UL Class 1 Division 2, ISA 12.12.01
	100Base Tx: 2-pair UTP/STP Cat. 5	Warranty	5 Years
	1000Base Tx: 2-pair UTP/STP Cat. 5/5E		
Mechanical Characteristics			
Housing	Metal, IP30 protection		
Dimensions	30 x 99 x 142 mm		
Weight	Unit: 1.0 lb Shipping: 1.5 lbs		
Mounting	DIN-Rail, Wall mounting (Optional)		

ORDERING INFO

LNX-0601G-SFP	6-Port Industrial Gigabit Unmanaged Ethernet Switch, with 5*10/100/1000Tx and 1*100/1000 SFP Slot
LNX-0601G-SFP-T	6-Port Industrial Gigabit Unmanaged Ethernet Switch, with 5*10/100/1000Tx and 1*100/1000 SFP Slot; EOT: -40° to 75°C

Optional Accessories	
DR-15-24	15 Watt Industrial Single Output DIN Rail Power Supply - 24 VDC / 0.63 Amps
DR-45-24	45 Watt Series Industrial Single Output DIN Rail Power Supply - 24 VDC / 2.0 Amps
DR-75-48	75 Watt Industrial Single Output DIN Rail Power Supply - 48 VDC / 1.6 Amps
MDR-60-48	60 Watt Industrial Slim Single Output DIN Rail Power Supply - 48 VDC / 1.25 Amps

LNX-0802C-SFP Series

8-Port Industrial Gigabit Unmanaged Ethernet Switch, 6*10/100Tx, 2*Gigabit Combo Ports (2*10/100/1000Tx RJ45, and 2*100/1000 SFP Slots)



Features

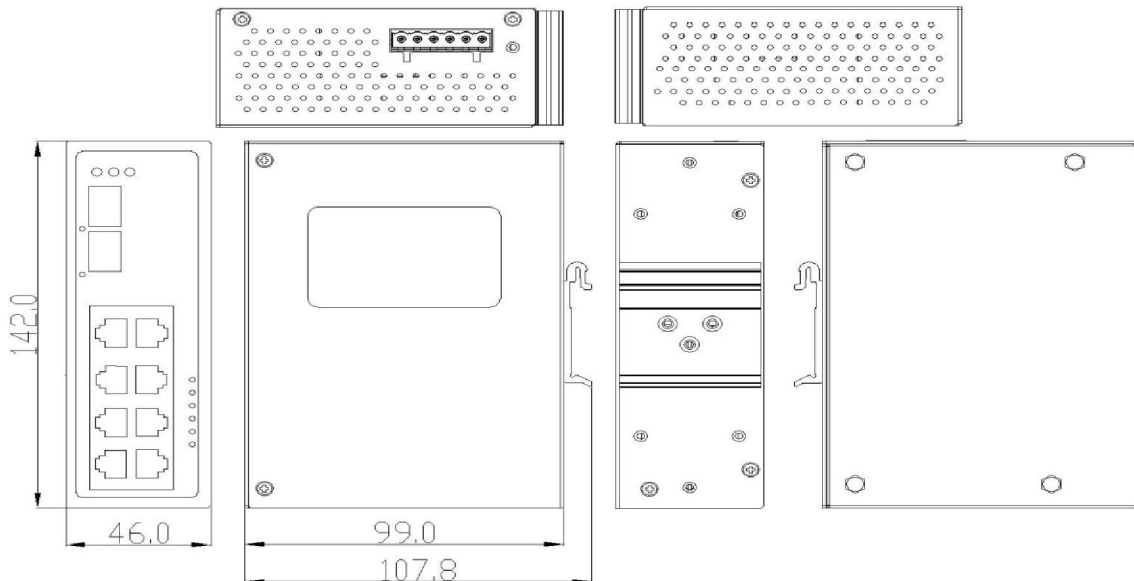
- ▶ Supports 6-Port 10/100Tx and 2*Gigabit Combo Ports (2*10/100/1000Tx RJ45, and 2*100/1000 SFP Slots)
- ▶ Supports Auto MDI/MDI-X Function
- ▶ Store-and-Forward Switching Architecture
- ▶ 8K MAC Address Table
- ▶ Surge Protection: 2,000 VDC Support
- ▶ ESD Protection: 6,000 VDC Support
- ▶ Redundant Power Input Design: 12~48VDC
- ▶ Built-in 1 Relay Output for Power Failure Warning
- ▶ IP30 Rugged Metal Case Design
- ▶ DIN-Rail and Wall Mount Support
- ▶ Operating Temperature Range - STD: -10° to 70° C, EOT: -40° to 75° C
- ▶ 5-Year Warranty

INTRODUCTION

Antaira Technologies' LNX-0802C-SFP series industrial Gigabit unmanaged Ethernet switch series is IP30 rated and DIN-Rail mountable with 6*10/100Tx + 2*GigE combo ports (2*10/100/1000Tx RJ45, and 2*100/100 SFP slots for fiber), making it ideal for applications that demand high bandwidth and long-distance communication.

This series provides a high EFT and ESD protection and dual power input with a reverse power polarity protection. In addition, the built-in relay warning function alerts maintainers when power failures occur. There is a wide operating temperature model that supports from -40 to 75°C. It is a perfectly designed product to fulfill special needs for industrial automation, outdoor and harsh weather environment applications.

DIMENSIONS



SPECIFICATIONS

Technology		Mechanical Characteristics	
Standards	IEEE 802.3 10BaseTx Ethernet	Housing	Metal, IP30 protection
	IEEE 802.3u 100BaseTx Fast Ethernet	Dimensions	46 x 99 x 142 mm (W*D*H)
	IEEE 802.3ab 1000BaseTx	Weight	Unit: 1.5 lbs.
	IEEE 802.3z Gigabit Fiber		Shipping Weight: 2.0 lbs.
Processing Type	Store and Forward	Mounting	DIN-Rail, Wall mounting (optional)
Protocol	CSMA/CD	Environmental Limits	
Flow Control	IEEE 802.3x back pressure flow control	Operating Temperature	STD: -10° to 70°C EOT: -40° to 75°C
Switch Properties		Storage Temperature	-40°C ~ 85°C
Transfer Rate	14,880pps for Ethernet Port 148,800pps for Fast Ethernet Port 1,488,000pps for Gigabit Ethernet Port	Ambient Relative Humidity	5 to 95%, (non-condensing)
Jumbo Frame	-	Regulatory Approvals	
MAC Table Size	8K	EMI	FCC Class A
Interface		EMS	EN61000-4-2,3,4,5,6,8 EN61000-6-2,4
Ethernet Port	6*RJ45 Ports w/10/100Tx	Free Fall	IEC60068-2-32
Gigabit Combo Port (Copper/SFP)	2 *RJ45 Ports w/10/100/1000TX Ethernet and 2*100/1000 SFP Slot	Shock	IEC60068-2-27
Network Cable	10Base Tx: 2-pair UTP/STP Cat. 3,4,5 100Base Tx: 2-pair UTP/STP Cat. 5 1000Base Tx: 2-pair UTP/STP Cat. 5/5E	Vibration	IEC60068-2-6
		Green	RoHS Compliant
		Certifications	FCC, CE, UL 61010-1, UL 61010-2-201, UL Class 1 Division 2, ISA 12.12.01
Power Requirements		Warranty	5 Years
Input Voltage	12~48VDC, Redundant Input		
Overload Current Protection	Present		
Connection	1 removable 6-contact terminal block		
Reverse Polarity Protection	Yes		
Power Consumption	10 Watts		

ORDERING INFO

LNX-0802C-SFP	8-Port Industrial Gigabit Unmanaged Ethernet Switch, w/6*10/100Tx, and 2*Gigabit Combo ports (2*10/100/1000Tx RJ45, and 2*100/1000 SFP Slots)
LNX-0802C-SFP-T	8-Port Industrial Gigabit Unmanaged Ethernet Switch, w/6*10/100Tx, and 2*Gigabit Combo ports (2*10/100/1000Tx RJ45, and 2*100/1000 SFP Slots) ; EOT: -40° to 75°C
Optional Accessories	
DR-15-24	15W Industrial Din Rail Power Supply, 24VDC
DR-45-24	45W Industrial Din Rail Power Supply, 24VDC
MDR-60-48	60W Industrial Din Rail Power Supply, 48VDC
DR-75-48	75W Industrial Din Rail Power Supply, 48VDC

LNx-1002G-SFP Series

10-Port Industrial Gigabit Unmanaged Ethernet Switch - 8*10/100/1000Tx, and 2*100/1000 SFP Slots



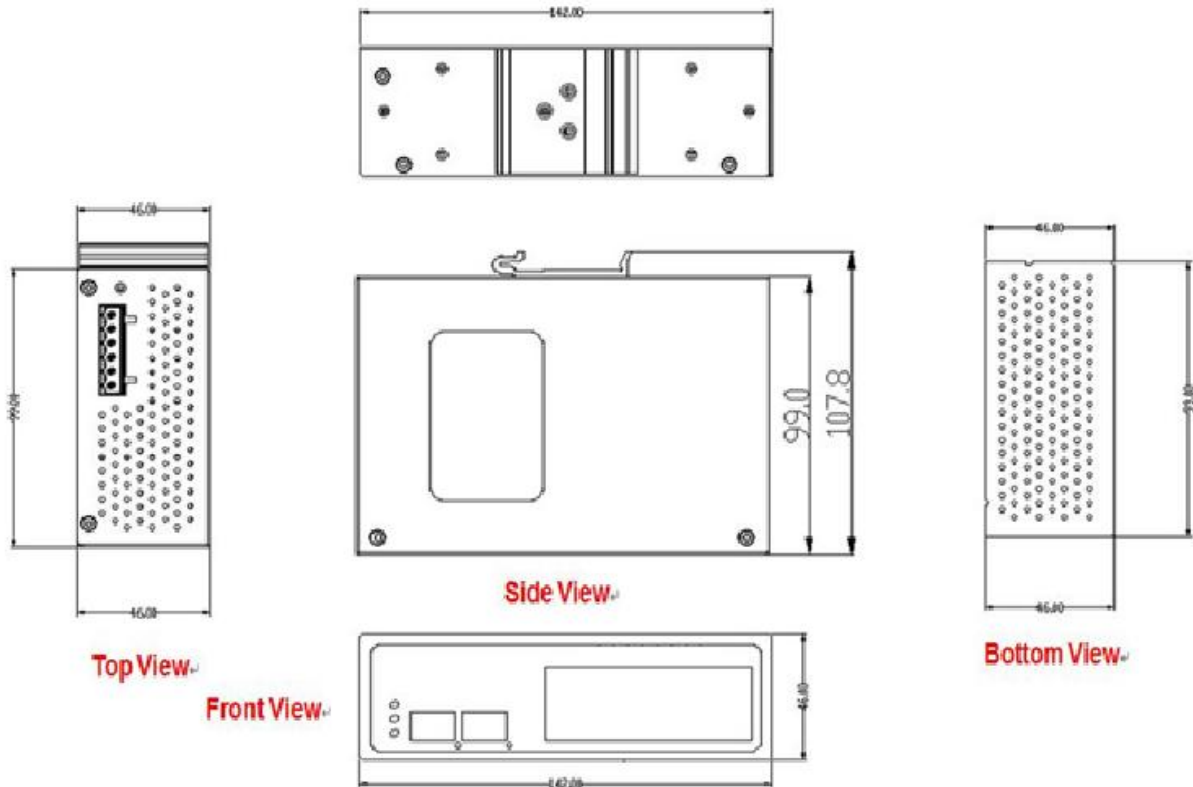
Features

- ▶ Supports 8-Port 10/100/1000Tx and 2*100/1000 SFP Slots
- ▶ Supports Auto MDI/MDI-X Function
- ▶ Store-and-Forward Switching Architecture
- ▶ 10Gbps Back-Plane (Switching Fabric)
- ▶ 8K MAC Address Table
- ▶ 9.6Kbytes Jumbo Frame Support
- ▶ Surge Protection: 2,000 VDC Support
- ▶ ESD Protection: 6,000 VDC Support
- ▶ Redundant Power Input Design: 12~48VDC
- ▶ Built-in 1 Relay Output for Power Failure Design
- ▶ IP30 Rugged Metal Case Design
- ▶ DIN-Rail and Wall Mount Support
- ▶ Operating Temperature Range - STD: -10° to 70°C, EOT: -40° to 75°C
- ▶ 5-Year Warranty

INTRODUCTION

Antaira Technologies' LNx-1002G-SFP series industrial gigabit unmanaged Ethernet switch features 8*10/100/1000Tx ports, and two dual rate 100/1000Fx SFP slots. This product series provides high EFT and ESD protection to protect against unregulated voltage. It also provides wide operation temperature models for standard: -10° to 70°C and extended: -40° to 75°C. The LNx-1002G-SFP series is an ideal solution for harsh environments and industrial applications.

DIMENSIONS



SPECIFICATIONS

Technology		Mechanical Characteristics	
Standards	IEEE 802.3 10BaseTx Ethernet	Housing	Metal, IP30 protection
	IEEE 802.3u 100BaseTx Fast Ethernet	Dimensions	46 x 99 x 142 mm (W*D*H)
	IEEE 802.3ab 1000BaseTx	Weight	Unit: 1.5lbs.
	IEEE 802.3z Gigabit Fiber		Shipping Weight: 2.0 lbs.
Processing Type	Store and Forward	Mounting	DIN-Rail, Wall mounting (optional)
Protocol	CSMA/CD	Environmental Limits	
Flow Control	IEEE 802.3x back pressure flow control	Operating Temperature	STD: -10° to 70°C EOT: -40° to 75°C
Switch Properties		Storage Temperature	-40°C ~ 85°C
Switch Architecture	Back-Plane (Switching Fabric): 10Gbps	Ambient Relative Humidity	5 to 95%, (non-condensing)
Transfer Rate	14,880pps for Ethernet Port	Regulatory Approvals	
	148,800pps for Fast Ethernet Port	EMI	FCC Class A
	1,488,000pps for Gigabit Ethernet Port	EMS	EN61000-4-2,3,4,5,6,8,11,12 EN61000-6-2,4
Jumbo Frame	9.6Kbytes	Free Fall	IEC60068-2-32
MAC Table Size	8K	Shock	IEC60068-2-27
Interface		Vibration	IEC60068-2-6
Ethernet Port	8*RJ45 Ports w/10/100/1000Tx	Green	RoHS Compliant
Fiber Port	2*100/1000 SFP Slot	Certifications	FCC, CE, UL 61010-1, UL 61010-2-201, UL Class 1 Division 2, ISA 12.12.01
Network Cable	10Base Tx: 2-pair UTP/STP Cat. 3,4,5	Warranty	5 Years
	100Base Tx: 2-pair UTP/STP Cat. 5		
	1000Base Tx: 2-pair UTP/STP Cat. 5/5E		
Power Requirements			
Input Voltage	12~48VDC, Redundant Input		
Overload Current Protection	Present		
Connection	1 removable 6-contact terminal block		
Reverse Polarity Protection	Yes		
Power Consumption	10 Watts		

ORDERING INFO

LNX-1002G-SFP	10-Port Industrial Gigabit Unmanaged Ethernet Switch, w/ 8*10/100/1000Tx, and 2*100/1000 SFP Slot
LNX-1002G-SFP-T	10-Port Industrial Gigabit Unmanaged Ethernet Switch, w/ 8*10/100/1000Tx, and 2*100/1000 SFP Slot; EOT: -40° to 75°C

Optional Accessories

DR-15-24	15W Industrial Din Rail Power Supply, 24VDC
DR-45-24	45W Industrial Din Rail Power Supply, 24VDC
MDR-60-48	60W Industrial Din Rail Power Supply, 48VDC
DR-75-48	75W Industrial Din Rail Power Supply, 48VDC

LNX-1202G-SFP Series

12-Port Industrial Gigabit Unmanaged Ethernet Switch, with 10*10/100/1000Tx, and 2*100/1000 SFP Slots



Features

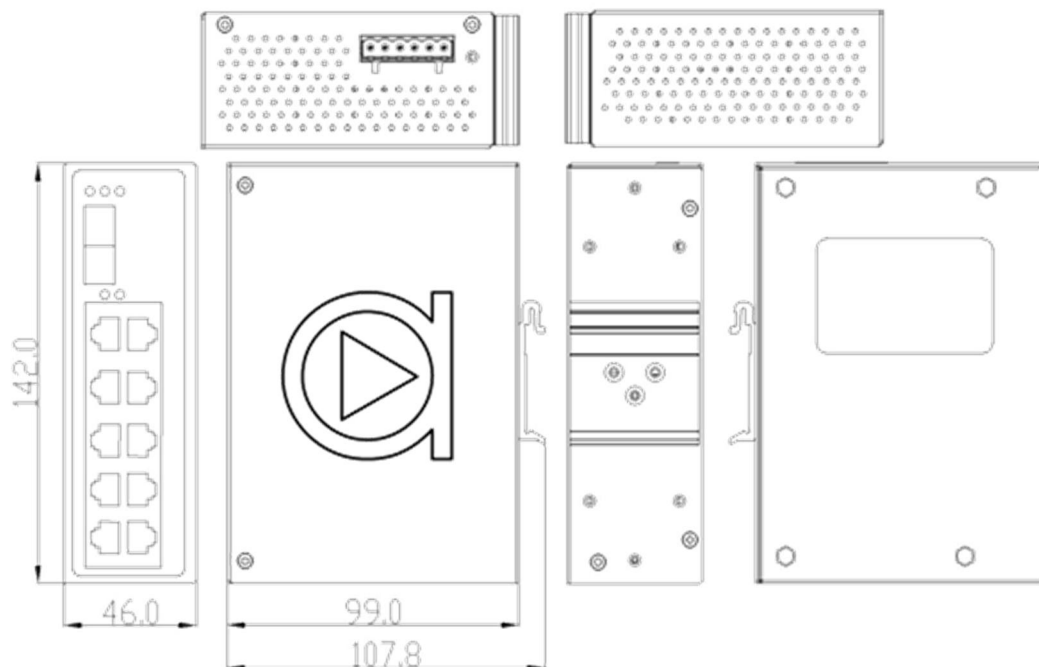
- ▶ Supports 10*10/100/1000Tx and 2*100/1000 SFP Slots
- ▶ Supports Auto MDI/MDI-X Function
- ▶ Store-and-Forward Switching Architecture
- ▶ 24Gbps Back-Plane (Switching Fabric)
- ▶ 8K MAC Address Table
- ▶ 9.6Kbytes Jumbo Frame Support
- ▶ Surge Protection: 2,000 VDC Support
- ▶ ESD Protection: 6,000 VDC Support
- ▶ Redundant Power Input Design: 12~48VDC
- ▶ Built-in 1 Relay Output for Power Failure Warning
- ▶ IP30 Rugged Metal Case Design
- ▶ DIN-Rail and Wall Mount Support
- ▶ Operating Temperature Range - STD: -10° to 70°C, EOT: -40° to 75°C
- ▶ 5-Year Warranty

INTRODUCTION

Antaira Technologies' LNX-1202G-SFP industrial gigabit unmanaged Ethernet switch series is IP30 rated and DIN-Rail mountable. Each unit is designed with 10 gigabit Ethernet ports and two dual rate (100/1000) SFP slots for fiber connections, making it ideal for applications that demand high bandwidth and long distance communication. This product series provides high EFT and ESD protection to prevent any unregulated voltage. Plus, it provides two wide operating temperature models to support either a -10° to 70°C or -40 to 75°C environment.

The LNX-1202G-SFP product series is ideal for supporting applications that require high density port connections, such as, power/utility, water wastewater treatment plants, oil/gas/mining, process control automation, security access control systems, and intelligent transportation systems.

DIMENSIONS



SPECIFICATIONS

Technology		Mechanical Characteristics	
Standards	IEEE 802.3 10BaseTx Ethernet IEEE 802.3u 100BaseTx Fast Ethernet IEEE 802.3ab 1000BaseTx IEEE 802.3z Gigabit Fiber	Housing	Metal, IP30 protection
Processing Type	Store and Forward	Dimensions	46 x 99 x 142 mm (W*D*H)
Protocol	CSPA/CD	Weight	Unit: 1.7lbs. Shipping: 2.2 lbs.
Flow Control	IEEE 802.3x back pressure flow control	Mounting	DIN-Rail and wall mounting Provided
Switch Properties		Environmental Limits	
Switch Architecture	Back-Plane (Switching Fabric): 24Gbps 14,880pps for Ethernet Port 148,800pps for Fast Ethernet Port 1,488,000pps for Gigabit Ethernet Port	Operating Temperature	STD: -10° to 70° C EOT: -40° to 75° C
Transfer Rate	14,880pps for Ethernet Port 148,800pps for Fast Ethernet Port 1,488,000pps for Gigabit Ethernet Port	Storage Temperature	-40°C ~ 85°C
Protection	EFT: 2,000VDC; ESD: 6,000VDC	Ambient Relative Humidity	5 to 95%, (non-condensing)
Memory Buffer	7,926pps (default)	Regulatory Approvals	
Jumbo Frame	9.6Kbytes	EMI	FCC Class A
MAC Table Size	8K	EMS	EN61000-4-2,3,4,5,6,8, EN61000-6-2,4
Interface		Free Fall	IEC60068-2-32
Ethernet Port	10*RJ45 Ports w/10/100/1000Tx	Shock	IEC60068-2-27
Fiber Port	2*100/1000 SFP Slot	Vibration	IEC60068-2-6
Network Cable	10Base Tx: 2-pair UTP/STP Cat. 3,4,5 100Base Tx: 2-pair UTP/STP Cat. 5 1000Base Tx: 2-pair UTP/STP Cat. 5/5E	Green	RoHS Compliant
Power Requirements		Certifications	FCC, CE, UL 61010-1, UL 61010-2-201, UL Class 1 Division 2, ISA 12.12.01
Input Voltage	12~48VDC, Redundant Input	Warranty	5 Years
Overload Current Protection	Present		
Connection	1 removable 6-contact terminal block		
Reverse Polarity Protection	Yes		
Power Consumption	10 Watts		

ORDERING INFO

LNX-1202G-SFP	12-Port Industrial Gigabit Unmanaged Ethernet Switch, w/ 10*10/100/1000Tx, and 2*100/1000 SFP Slot
LNX-1202G-SFP-T	12-Port Industrial Gigabit Unmanaged Ethernet Switch, w/ 10*10/100/1000Tx, and 2*100/1000 SFP Slot; EOT: -40° to 75°C
Optional Accessories	
DR-15-24	15W Industrial Din Rail Power Supply, 24VDC
DR-45-24	45W Industrial Din Rail Power Supply, 24VDC
MDR-60-48	60W Industrial Din Rail Power Supply, 48VDC
DR-75-48	75W Industrial Din Rail Power Supply, 48VDC

LNX-1204G-SFP Series

12-Port Industrial Gigabit Unmanaged Ethernet Switch, with 8*10/100/1000Tx and 4*100/1000 SFP Slots



Features

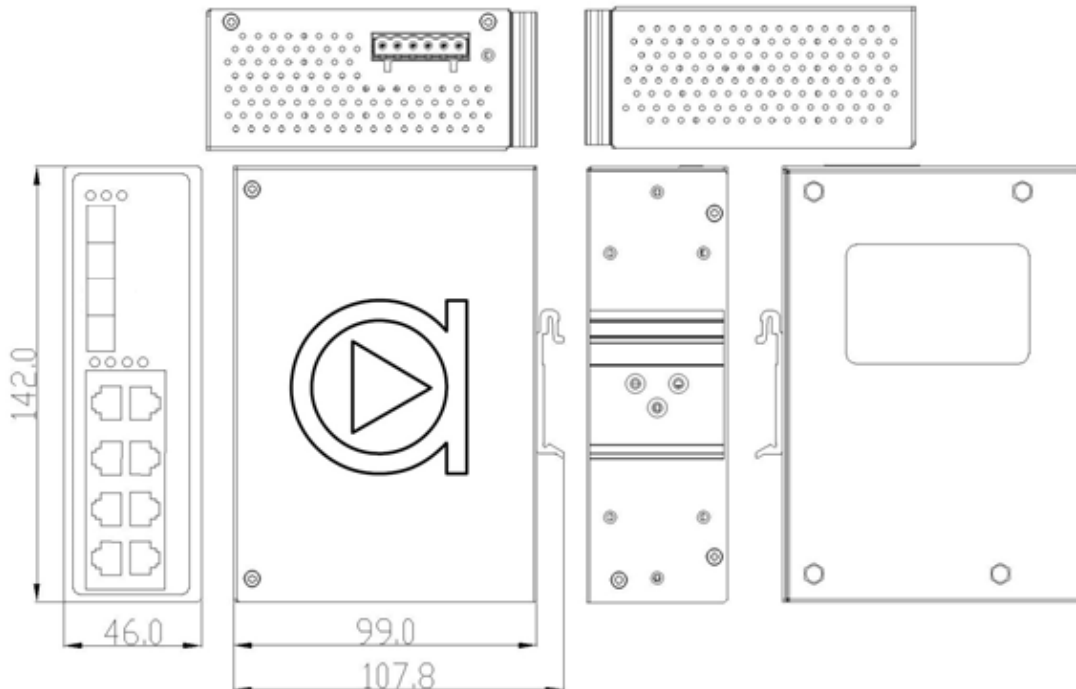
- ▶ Supports 8*10/100/1000Tx and 4*100/1000 SFP Slots
- ▶ Supports Auto MDI/MDI-X Function
- ▶ Store-and-Forward Switching Architecture
- ▶ 24Gbps Back-Plane (Switching Fabric)
- ▶ 8K MAC Address Table
- ▶ 9.6Kbytes Jumbo Frame Support
- ▶ Surge Protection: 2,000 VDC Support
- ▶ ESD Protection: 6,000 VDC Support
- ▶ Redundant Power Input Design: 12~48VDC
- ▶ Built-in 1 Relay Output for Power Failure Warning
- ▶ IP30 Rugged Metal Case Design
- ▶ DIN-Rail and Wall Mount Support
- ▶ Operating Temperature Range - STD: -10° to 70° C, EOT: -40° to 75° C
- ▶ 5-Year Warranty

INTRODUCTION

Antaira Technologies' LNX-1204G-SFP series industrial gigabit unmanaged Ethernet switch series is IP30 rated and DIN-Rail mountable. Each unit is designed with eight gigabit Ethernet ports and four dual rate (100/1000) SFP slots for fiber connections, making it ideal for applications that demand high bandwidth and long distance communication. This product series provides high EFT and ESD protection to prevent any unregulated voltage. Plus, it provides two wide operating temperature models to support either a -10 to 70°C or -40 to 75°C environment.

The LNX-1204G-SFP product series is ideal for supporting applications that require high density port connections, such as, power/utility, water wastewater treatment plants, oil/gas/mining, process control automation, security access control systems, and intelligent transportation systems.

DIMENSIONS



SPECIFICATIONS

Technology	
Standards	IEEE 802.3 10BaseTx Ethernet IEEE 802.3u 100BaseTx Fast Ethernet IEEE 802.3ab 1000BaseTx IEEE 802.3z Gigabit Fiber
Processing Type	Store and Forward
Protocol	CSMA/CD
Flow Control	IEEE 802.3x back pressure flow control
Switch Properties	
Switch Architecture	Back-Plane (Switching Fabric): 24Gbps 14,880pps for Ethernet Port 148,800pps for Fast Ethernet Port 1,488,000pps for Gigabit Ethernet Port
Transfer Rate	EFT: 2,000VDC; ESD: 6,000VDC
Protection	7,926pps (default)
Memory Buffer	9.6Kbytes
Jumbo Frame	8K
MAC Table Size	
Interface	
Ethernet Port	8*RJ45 Ports w/10/100/1000Tx
Fiber Port	4*100/1000 SFP Slot 10Base Tx: 2-pair UTP/STP Cat. 3,4,5 100Base Tx: 2-pair UTP/STP Cat. 5 1000Base Tx: 2-pair UTP/STP Cat. 5/5E
Network Cable	
Power Requirements	
Input Voltage	12~48VDC, Redundant Input
Overload Current Protection	Present
Connection	1 removable 6-contact terminal block
Reverse Polarity Protection	Yes
Power Consumption	15 Watts
Mechanical Characteristics	
Housing	Metal, IP30 protection
Dimensions	46 x 99 x 142 mm (W*D*H)
Weight	Unit 1.7lbs. Shipping Weight 2.2 lbs.
Mounting	DIN-Rail and Wall-mount (optional)
Environmental Limits	
Operating Temperature	STD: -10° to 70°C EOT: -40° to 75°C
Storage Temperature	-40° ~ 85°C
Ambient Relative Humidity	5 to 95%, (non-condensing)
Regulatory Approvals	
EMI	FCC Class A
EMS	EN61000-4-2,3,4,5,6,8, EN61000-6-2,4
Free Fall	IEC60068-2-32
Shock	IEC60068-2-27
Vibration	IEC60068-2-6
Green	RoHS Compliant
Certifications	FCC, CE, UL 61010-1, UL 61010-2-201
Warranty	5 Years

ORDERING INFO

LNX-1204G-SFP	12-Port Industrial Gigabit Unmanaged Ethernet Switch, w/ 8*10/100/1000Tx, and 4*100/1000 SFP Slot
LNX-1204G-SFP-T	12-Port Industrial Gigabit Unmanaged Ethernet Switch, w/ 8*10/100/1000Tx, and 4*100/1000 SFP Slot; EOT: -40 to 75C
Optional Accessories	
DR-15-24	15W Industrial Din Rail Power Supply, 24VDC
DR-45-24	45W Industrial Din Rail Power Supply, 24VDC
MDR-60-48	60W Industrial Din Rail Power Supply, 48VDC
DR-75-48	75W Industrial Din Rail Power Supply, 48VDC

LNX-1604G-SFP Series

16-Port Industrial Gigabit Unmanaged Ethernet Switch, with 12*10/100/1000Tx, and 4*100/1000 SFP Slots



Features

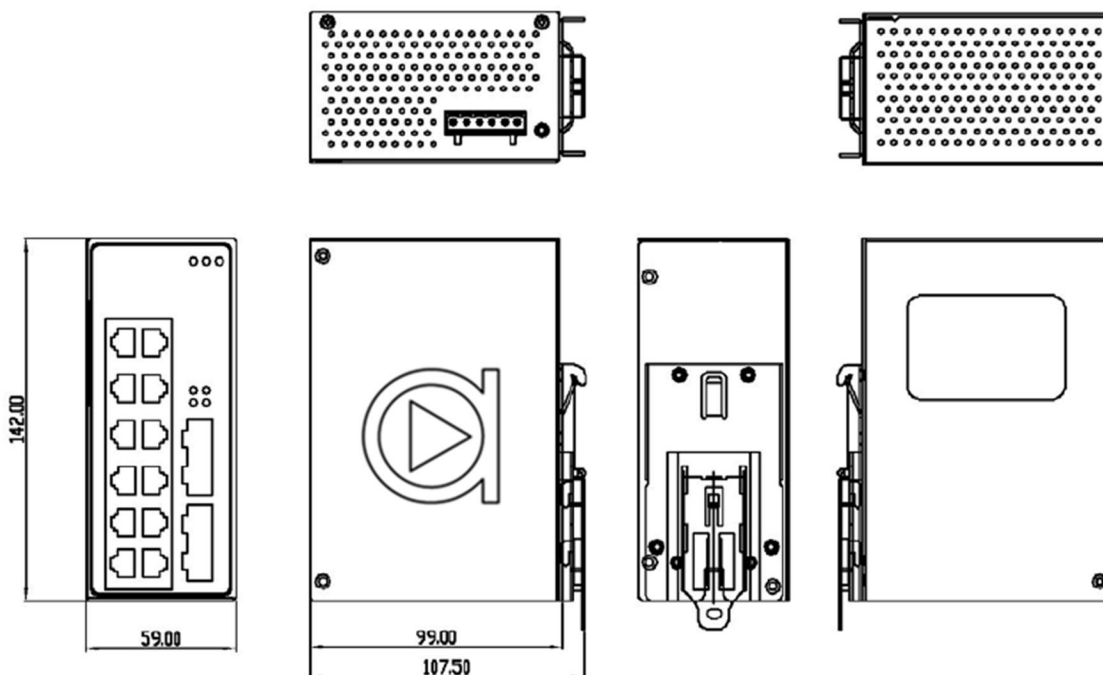
- ▶ Supports 12*10/100/1000Tx and 4*100/1000 SFP Slots
- ▶ Supports Auto MDI/MDI-X Function
- ▶ Store-and-Forward Switching Architecture
- ▶ 8K MAC Address Table
- ▶ Jumbo Frame Support: 12.2K
- ▶ Surge Protection: 2,000 VDC Support
- ▶ ESD Protection: 6,000 VDC Support
- ▶ Redundant Power Input Design: 12~48VDC
- ▶ Built-in 1 Relay Output for Power Failure Warning
- ▶ IP30 Rugged Metal Case Design
- ▶ DIN-Rail and Wall Mount Support
- ▶ Operating Temperature Range - STD: -10°C to 70°C, EOT: -40°C to 75°C
- ▶ 5-Year Warranty

INTRODUCTION

Antaira Technologies' LNX-1604G-SFP industrial gigabit unmanaged Ethernet switch series is IP30 rated and DIN-Rail mountable. Each unit is designed with twelve gigabit Ethernet ports and four dual rate (100/1000) SFP slots for fiber connections, making it ideal for applications that demand high bandwidth and long distance communication; such as, power/utility, water wastewater treatment plants, oil/gas/mining, process control automation, security access control systems, and intelligent transportation systems.

This product series has a hardened design providing high EFT and ESD protection to prevent any unregulated voltage. It also has a dual power input support of 12~48VDC. There are two wide operating temperature models to support either a -10°C to 70°C or -40°C to 75°C environment.

DIMENSIONS



SPECIFICATIONS

Technology	
Standards	IEEE 802.3 10BaseTx Ethernet IEEE 802.3u 100BaseTx Fast Ethernet IEEE 802.3ab 1000BaseTx IEEE 802.3z Gigabit Fiber
Processing Type	Store and Forward
Protocol	CSMA/CD
Flow Control	IEEE 802.3x back pressure flow control
Switch Properties	
Switch Architecture	Back-Plane: Non-Blocking Switching Fabric
Transfer Rate	14,880pps for Ethernet Port 148,800pps for Fast Ethernet Port 1,488,000pps for Gigabit Ethernet Port
Protection	EFT: 2,000VDC; ESD: 6,000VDC
Memory Buffer	4 Mbits
Jumbo Frame	12.2Kbytes
MAC Table Size	8K
Interface	
Ethernet Port	12*10/100/1000BaseT(X), Full/Half duplex mode, and auto MDI/MDI-X connection
Fiber Port	4*100/1000 SFP Slot
Wavelength	Refer to SFP Module
Network Cable	10Base Tx: 2-pair UTP/STP Cat. 3,4,5 100Base Tx: 2-pair UTP/STP Cat. 5 1000Base Tx: 2-pair UTP/STP Cat. 5/5E
Power Requirements	
Input Voltage	12~48VDC, Redundant Input
Overload Current Protection	Present (Slow Blown Fuse)
Power Connection	1 removable 6-contact terminal block
Reverse Polarity Protection	Present
Power Consumption	16 Watts
Relay Contact	24VDC, 1A resistive

Mechanical Characteristics	
Housing	Metal, IP30 protection
Dimensions	59 x 99 x 142 mm (W*D*H)
Weight	Unit 2.2 lbs. Shipping Weight 2.7 lbs.
Mounting	DIN-Rail and wall mounting Provided
Environmental Limits	
Operating Temperature	STD: -10° to 70° C EOT: -40° to 75° C
Storage Temperature	-40°C ~ 85°C
Ambient Relative Humidity	5 to 95%, (non-condensing)
Regulatory Approvals	
EMI	FCC Class A
EMS	EN61000-4-2,3,4,5,6,8, EN61000-6-2,4
Free Fall	IEC60068-2-32
Shock	IEC60068-2-27
Vibration	IEC60068-2-6
Green	RoHS Compliant
Certifications	FCC, CE
Compliance	NEMA TS1/TS2 (ITS) EN50121-4 (Railway)
Warranty	5 Years

ORDERING INFO

LNX-1604G-SFP	16-Port Industrial Gigabit Unmanaged Ethernet Switch, w/12*10/100/1000Tx, & 4*100/1000 SFP Slot
LNX-1604G-SFP-T	16-Port Industrial Gigabit Unmanaged Ethernet Switch, w/12*10/100/1000Tx, & 4*100/1000 SFP Slot; EOT: -40° to 75°C

Optional Accessories	
SFP-M-T	1 Gigabit Fiber SFP Transceiver, Multi-Mode 550KM / LC/ 850NM, -40° to 85°C
SFP-S10-T	1 Gigabit Fiber SFP Transceiver, Single-Mode 10KM / LC/ 1310NM, -40° to 85°C
DR-45-24	45W Industrial Din Rail Power Supply, 24VDC
MDR-60-48	60W Industrial Din Rail Power Supply, 48VDC
DR-75-48	75W Industrial Din Rail Power Supply, 48VDC

LNX-C500G Series

Features

Compact 5-Port Industrial Gigabit Unmanaged Ethernet Switches, w/5*10/100/1000Tx, 12~48VDC Power Input



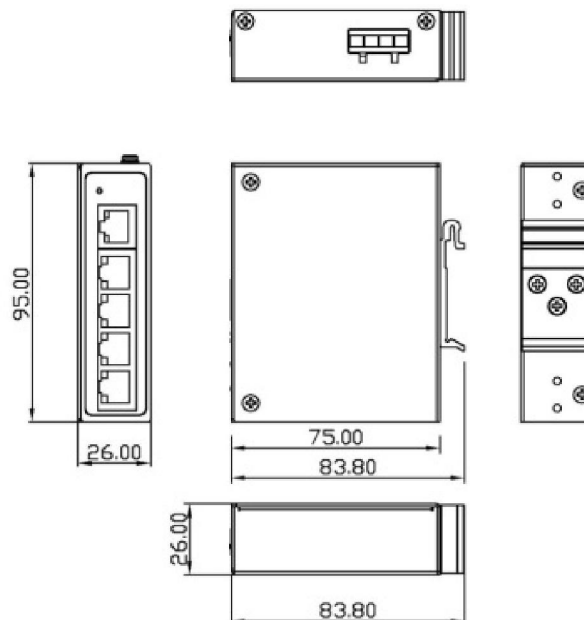
- ▶ Compact Industrial Grade Design
- ▶ Supports 5-Port 10/100/1000Tx RJ45 Gigabit Ethernet
- ▶ Supports Auto MDI/MDI-X Function
- ▶ Store-and-Forward Switching Architecture
- ▶ Jumbo Frame Support: 10K
- ▶ Surge Protection: 2,000 VDC Support
- ▶ ESD Protection: 6,000 VDC Support
- ▶ Redundant Power Input Design: 12~48VDC
- ▶ Power Polarity Reserve Protect
- ▶ Overload Current Protection
- ▶ IP30 Rugged Metal Case Design
- ▶ DIN-Rail and Wall Mount Support
- ▶ Operating Temperature Range:
STD: -10° to 70°C, EOT: -40° to 75°C
- ▶ 5-Year Warranty

INTRODUCTION

Antaira Technologies' LNX-C500G series is a compact 5-port industrial gigabit unmanaged Ethernet switch. The small form factor of this metal IP30 rated design is 30% smaller allowing for more a versatile implementation. The LNX-C500G series is equipped with 5*10/100/1000 RJ45 Ethernet ports; with a backplane speed of 10gbps. The LNX-C500G series can handle high bandwidth applications in tight spaces.

The LNX-C500G series supports high EFT & ESD protection through the redundant power inputs that support reverse polarity and overload current protection. This product series supports DIN-rail as well as wall mountable orientations and provides operating temperature range models in STD: -10°C to 70°C and EOT: -40°C to 75°C. This is an industrial grade unit applicable for networking applications in factory automation, ITS, power/utility, water wastewater treatment plants, or any application that needs a compact solution.

DIMENSIONS



SPECIFICATIONS

Technology		Mechanical Characteristics	
Standards	IEEE 802.3 10Tx Ethernet IEEE 802.3U 100Tx Fast Ethernet IEEE 802.3ab 1000Tx Gigabit Ethernet	LED Indicator	Per Unit: Power 1 & 2
Switch Properties		Housing	Metal IP30 rated
Protocol	CSMA/CD	Dimensions	26 x 95 x 75 mm
Data Process	Store and Forward	Weight	Unit: 1.0 lbs; Shipping: 1.5 lbs
Transfer Rate	14,880pps for 10Base-T Ethernet port 148,880pps for 100Base-T Fast Ethernet port 1480000pps for 1000Base-T Gigabit Ethernet	Mounting	DIN-Rail; Wall-mount (optional)
Packet Buffer	1 Mbits	Power Requirement	
MAC Table	8K	Input Voltage	12~48VDC Redundant Input
Jumbo Frame	10K bytes	Power Connection	1 removable 4-contact terminal block
Flow Control	IEEE 802.3x for full duplex mode, back pressure for half duplex mode	Power Consumption	6.6 Watts
Port Interface		Environmental Limits	
Ethernet RJ45 Port	5*10/100/1000BaseTx auto negotiation speed, Full/Half duplex mode, and auto MDI/MDI-X connection	Operating Temperature	STD: -10° to 70° C EOT: -40° to 75° C
Protection		Storage Temperature	-40°C ~ 85°C
Overload Current	Present	Ambient Relative Humidity	5 to 95%, (non-condensing)
Power Reverse Polarity	Present (the unit will not be on, if power reverse)	Regulatory Approvals	
Network Cable	10Base-T: 2-pair UTP/STP Cat. 3, 4, 5 cable; 100Base-TX: 2-pair UTP/STP Cat. 5 cable. 1000Base-Tx 4-pair UTP/STP Cat. 5/5e/6 cable	EMI	FCC Class A
		EMS	EN6100-4-2,3,4,5,6,8
		Free Fall	IEC60068-2-32
		Shock	IEC60068-2-27
		Vibration	IEC60068-2-6
		Green	RoHS Compliant
		Certifications	FCC, CE, UL 61010-1, UL 61010-2-201
		Compliance	NEMA TS1/TS2
		Warranty	5 Years

ORDERING INFO

LNX-C500G Compact 5-Port Industrial Gigabit Ethernet Switch with 5*10/100/1000Tx

LNX-C500G-T Compact 5-Port Industrial Gigabit Ethernet Switch with 5*10/100/1000Tx; EOT -40° to 75° C

Optional Accessories

DR-15-12 15W Industrial DIN-Rail Power Supply, 12VDC

MDR-20-24 20W Industrial DIN-Rail Power Supply, 24VDC

MDR-40-48 40W Industrial DIN-Rail Power Supply, 48VDC

MDR-60-48 60W Industrial DIN-Rail Power Supply, 48VDC

DR-75-48 75W Industrial DIN-Rail Power Supply, 48VDC

LNx-0702C-SFP Series

7-Port Industrial Gigabit Unmanaged Ethernet Switch, with 5*10/100Tx + 2*100/1000 SFP Slot



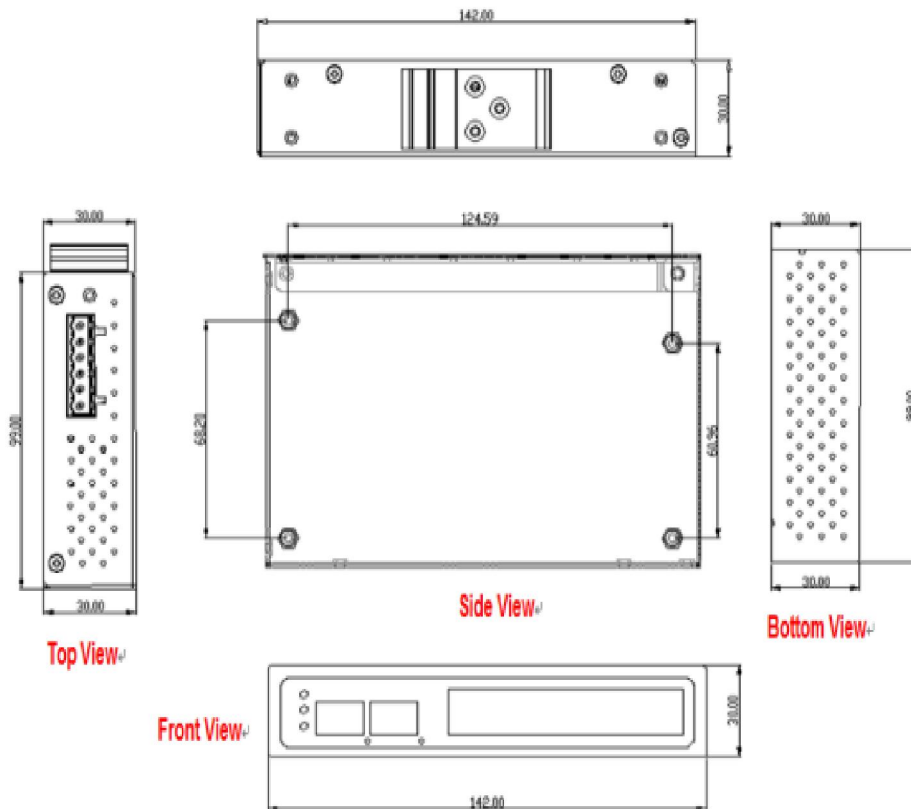
Features

- ▶ Supports 5-Port 10/100Tx and 2-Port 100/1000 SFP slots
- ▶ Supports Auto MDI/MDI-X Function
- ▶ Store-and-Forward Switching Architecture
- ▶ 5.0Gbps Back-Plane (Switching Fabric)
- ▶ 8K MAC Address Table
- ▶ Surge Protection: 2,000 VDC Support
- ▶ ESD Protection: 6,000 VDC Support
- ▶ Redundant Power Input Design: 12~48VDC
- ▶ Built-in 1 Relay Output for Power Failure Warning
- ▶ IP30 Rugged Metal Case Design
- ▶ DIN-Rail and Wall Mount Support
- ▶ Operating Temperature Range - STD: -10° to 70°C, EOT: -40° to 75°C
- ▶ 5-Year Warranty

INTRODUCTION

Antaira Technologies' LNx-0702C-SFP series industrial gigabit unmanaged Ethernet switch features five 10/100Tx ports and two dual rate 100/1000Fx SFP slots. This product series support wide range power input from 12 to 48VDC, and provides high EFT and ESD protection to protect against unregulated voltage. It also provides wide operation temperature models for standard: -10° to 70°C and extended: -40° to 75°C. The LNx-0702C-SFP series is an ideal solution for harsh environment and industrial applications.

DIMENSIONS



SPECIFICATIONS

Technology	
Standards	IEEE 802.3 10BaseTx Ethernet IEEE 802.3u 100BaseTx Fast Ethernet IEEE 802.3az Gigabit Fiber
Processing Type	Store and Forward
Protocol	CSMA/CD
Flow Control	IEEE 802.3x back pressure flow control
Switch Properties	
Switch Architecture	Back-Plane (Switching Fabric): 5.0Gbps
Transfer Rate	14,880pps for Ethernet Port 148,800pps for Fast Ethernet Port
Broadcast Storm Rate Limit	CSMA/CD
Memory Buffer	7,926pps (default)
Jumbo Frame	-
MAC Table Size	8K
Interface	
Ethernet Port	5*10/100Tx Fast Ethernet
Fiber Port	2*100/1000 SFP Slot
Network Cable	10Base Tx: 2-pair UTP/STP Cat. 3,4,5 100Base Tx: 2-pair UTP/STP Cat. 5
Power Requirements	
Input Voltage	12~48VDC, Redundant Input
Overload Current Protection	Present
Connection	1 removable 6-contact terminal block
Reverse Polarity Protection	Yes
Power Consumption	6W

Mechanical Characteristics	
Housing	Metal, IP30 protection
Dimensions	30 x 99 x 142 mm (W*D*H)
Weight	Unit: 1.3 lbs. Shipping Weight: 1.7 lbs.
Mounting	DIN-Rail, wall mounting (optional)
Environmental Limits	
Operating Temperature	STD: 0° to 70°C EOT: -40° to 75°C
Storage Temperature	-40°C ~ 85°C
Ambient Relative Humidity	5 to 95%, (non-condensing)
Regulatory Approvals	
EMI	FCC Class A
EMS	EN6100-4-2,3,4,5,6,8, EN6100-6-2,4
Free Fall	IEC60068-2-32
Shock	IEC60068-2-27
Vibration	IEC60068-2-6
Green	RoHS Compliant
Certifications	FCC, CE, UL 61010-1, UL 61010-2-201, UL Class 1 Division 2, ISA 12.12.01
Warranty	5 Years

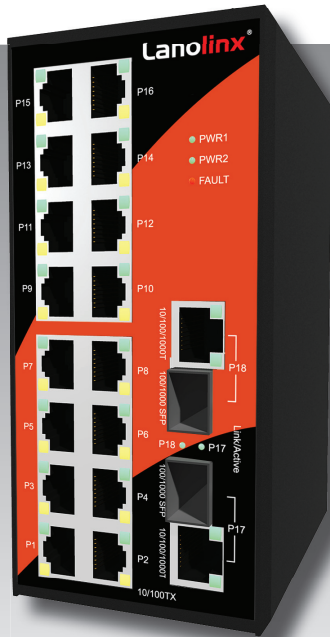
ORDERING INFO

LNX-0702C-SFP	7-Port Industrial Gigabit Unmanaged Ethernet Switch, w/ 5*10/100Tx, and 2*100/1000 SFP Slot
LNX-0702C-SFP-T	7-Port Industrial Gigabit Unmanaged Ethernet Switch, w/ 5*10/100Tx, and 2*100/1000 SFP Slot; EOT: -40° to 75°C

Optional Accessories	
MDR-10-12	10W Industrial Din Rail Power Supply, 12VDC
MDR-20-24	20W Industrial Din Rail Power Supply, 24VDC
MDR-40-48	40W Industrial Din Rail Power Supply, 48VDC
MDR-60-49	60W Industrial Din Rail Power Supply, 48VDC

Lanolinx LNX-1802G

16-Port 10/100BaseTX + 2-Port 10/100/1000T/Mini-GBIC Combo Industrial Switch

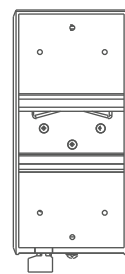
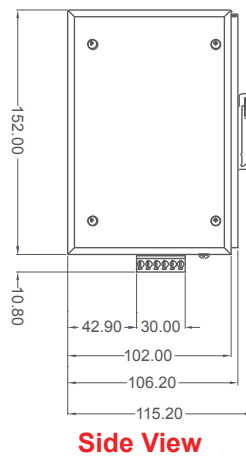
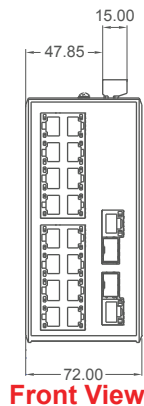


Features

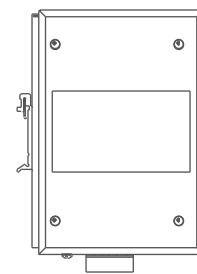
- ▶ 16-Port 10/100TX + 2-Port 10/100/1000T/Mini-GBIC Combo
- ▶ 7.2 Gbps Back-Plane (Switching Fabric)
- ▶ Store-and-Forward Switching Architecture
- ▶ 1 Mbits Packet Buffer
- ▶ 8K MAC Address Table
- ▶ Wide-Range Redundant Power Design
- ▶ Provides EFT Protection 3000 VDC for Power Line
- ▶ Supports 6000 VDC Ethernet ESD Protection
- ▶ IP30 Rugged Aluminum Case Design
- ▶ DIN-Rail or Panel Mountable for Easy Installation
- ▶ 5-Year Warranty



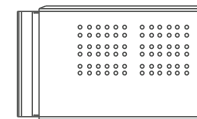
▶ Specifications



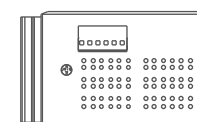
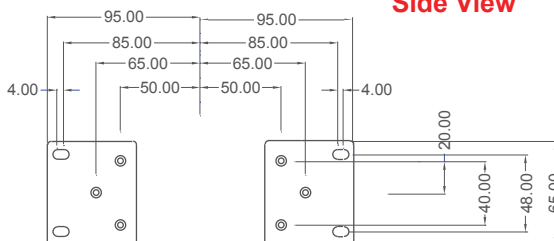
Back View



Side View



Bottom View



Top View

► Specifications

Standard

IEEE 802.3 10BaseT Ethernet
IEEE 802.3u 100BaseTX
IEEE 802.3ab 1000BaseT
IEEE 802.3z Gigabit Fiber
IEEE 802.3x Flow Control and Back-Pressure

Switch Architecture

Back-Plane (Switching Fabric): 7.2Gbps
Packet Throughput Ability (Full-Duplex): 10.7Mpps @ 64bytes

Transfer Rate

14,880pps for Ethernet Port
148,800pps for Fast Ethernet Port
1,488,000pps for Gigabit Fiber Ethernet Port

Packet Buffer

1 Mbits

MAC Address

8K MAC Address Table

Interface

10/100TX: 16 x RJ-45
10/100/1000T/Mini-GBIC Combo: 2 x RJ-45 + 2 x 100/1000 SFP Sockets

Network Cable

10BaseT: 2-pair UTP/STP Cat. 3, 4, 5 cable
EIA/TIA-568 100-ohm (100m)
100BaseTX: 2-pair UTP/STP Cat. 5 cable
EIA/TIA-568 100-ohm (100m)

Optical Cable

LC (Multi-Mode): 50/125µm ~ 62.5/125µm
LC (Single-Mode): 9/125µm ~ 10/125µm

Protocol

CSMA/CD

LED

Unit: Power 1, Power 2, Fault
10/100 TX: Link/Activity, Full-Duplex/Collision
Gigabit Copper: Link/Activity, Speed
SFP: Link/Activity

Reverse Polarity Protection

Present

Overload Current Protection

Present

Power Supply

DC 12 ~ 48V, Redundant Power with Polarity Reverse Protect Function and Connective Removable Terminal Block

Power Consumption

9 Watts

Operation Temperature

Standard: -10° C to 70° C (14° F to 158° F)
Wide Operating Temperature: -40° to 80° C (-40° to 176° F)

Operation Humidity

5% to 95% (Non-condensing)

Storage Temperature

-40° C to 85° C

Mechanical

Casing: IP30 Metal Case, DIN-Rail/Wall Mountable
Dimension (W x H x D): 72 x 152 x 105 mm (2.83 x 4.13 x 5.98 in.)
Weight: 2.2 lbs. (Unit Weight), 3.3 lbs. (Shipping Weight)

EMI

FCC Class A,
CE EN6100-4-2, EN6100-4-3, EN6100-4-4, EN6100-4-5, EN6100-4-6,
EN6100-4-8, EN6100-4-11, EN6100-4-12, EN6100-6-2, EN6100-6-4

Safety

UL, cUL, CE EN60950-1

Stability Testing

Shock: IEC60068-2-27
Free Fall: IEC60068-2-32
Vibration: IEC60068-2-6

Warranty

5-Year Warranty

► Ordering Information

LNX-1802G

18-Port (16-port 10/100TX + 2-port 10/100/1000T/Mini-GBIC Combo) Gigabit Industrial Ethernet Switch, Unmanaged ***

LNX-1802G-T

18-Port (16-port 10/100TX + 2-port 10/100/1000T/Mini-GBIC Combo) Gigabit Industrial Ethernet Switch, Unmanaged, Wide Operating Temperature ***

*** SFP MODULES SOLD SEPARATELY ***

Optional Accessories

SFP-M

SFP Module, Multi-Mode, 550m

SFP-S10

SFP Module, Single-Mode, 10Km

DR-4524

45W 24VDC Industrial DIN Rail Power Supply

DR-75-24

75W 24VDC Industrial DIN Rail Power Supply

DR-120-24

120W 24VDC Industrial DIN Rail Power Supply

Antaira Technologies

Toll-Free: (877) 229-3665
Phone: (714) 671-9000
FAX: (714) 671-9944

e-Mail: info@antaira.com
Website: <http://www.antaira.com>


www.antaira.com