

LNP-1002G-10G-SFP

10-Port Industrial Gigabit PoE+ Unmanaged Ethernet Switch, with 8*10/100/1000Tx (30W/Port) and 2*10G SFP+ Slots



Features

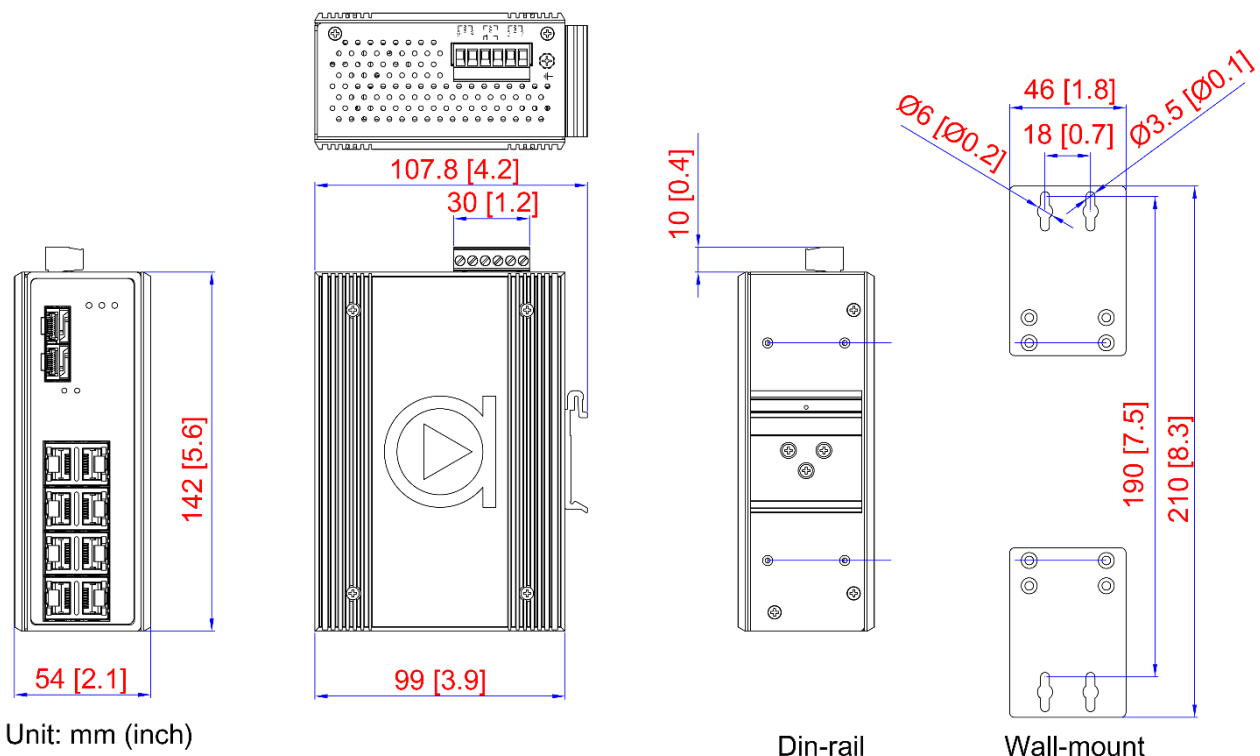
- ▶ Supports 8*10/100/1000Tx IEEE 802.3af/at Compliant with 30W/Port and 2*10G SFP+ Slots
- ▶ Store-and-Forward Switching Architecture
- ▶ 56Gbps Back-Plane (Switching Fabric)
- ▶ 16K MAC Address Table
- ▶ 9.6 Kbytes Jumbo Frame Support
- ▶ Redundant Power Input Design: 48~55VDC
- ▶ Built-in 1 Relay Output for Power Failure Warning
- ▶ IP30 Rugged Metal Case Design
- ▶ DIN-Rail and Wall Mount Support Included
- ▶ Operating Temperature Range: -40°C~65°C
- ▶ 5-Year Warranty

INTRODUCTION

Antaira Technologies' LNP-1002G-10G-SFP are industrial gigabit PoE+ unmanaged Ethernet switches featuring 8*10/100/1000Tx Gigabit Ethernet ports that support IEEE802.3at for a maximum of 30W/port. The LNP-1002G-10G-SFP is designed with 2*10G SFP+ slots that provide options for long-distance fiber connections. These Ethernet switches are designed with high EFT and ESD protection and support standard operating temperatures from -40° to 65°C.

The LNP-1002G-10G-SFP are IP30 rated and DIN-rail mountable. They also provide Ethernet connectivity with PoE functions for outdoor or harsh industrial automation application environments, such as security surveillance, ITS-traffic monitoring systems, oil/gas and mining, facility management for power/utility, water wastewater treatment plants, and lastly, automated production lines in factory automation.

DIMENSIONS



SPECIFICATIONS

Technology	
Standards	IEEE 802.3 10Tx Ethernet
	IEEE 802.3u 100Tx Fast Ethernet
	IEEE 802.3ab 1000Tx Gigabit Ethernet
	IEEE 802.3ae 10 Gigabit Ethernet
	IEEE 802.3af/at Power over Ethernet
Processing Type	Store and Forward
Protocol	CSMA/CD
Flow Control	IEEE 802.3x back pressure flow control
Switch Properties	
Switch Architecture	Back-Plane (Switching Fabric): 56.0Gbps 14,880pps for 10Base-T Ethernet 148,800pps for 100Base-T Fast Ethernet 1,488,000pps for 1000Base-T Gigabit Ethernet
Transfer Rate	14,880,000pps for 10 Gigabit Ethernet Port
Packet Buffer	8Mbits
Jumbo Frame	9.6 Kbytes
MAC Table Size	16K
Port Interface	
Ethernet Port	8*10/100/1000Tx (PSE: 30W/Port) Auto negotiation speed, Full/Half duplex mode, and auto MDI/MDI-X connection
SFP Port	2*10G SFP+ slots
PoE Pin Out	V+, V+, V-, V-, for pin 1, 2, 3, 6 (End-span, Mode A) System: Power 1, Power 2, Fault Ethernet Ports: On-Link/Flash-data transmitting PoE: On-connected to PD devices SFP: Link/Active
LED Indicators	
Network Cable	10Base-T: 2-pair UTP/STP Cat. 3, 4, 5 cable EIA/TIA-568 100-ohm (100m) 100Base-TX: 2-pair UTP/STP Cat. 5 cable EIA/TIA-568 100-ohm (100m) 1000BaseTX: 4-pair UTP/STP Cat.5/5E cable EIA/TIA-568 100-ohm (100m)

Mechanical Characteristics	
Housing	Metal, IP30 protection
Dimension	54 x 142 x 99 mm
Weight	Unit: 2.39 lbs.; Shipping: 3.01 lbs.
Mounting	DIN-Rail mounting, Wall mounting
Power Requirement	
Input Voltage	48-55VDC Redundant Input
Power Connection	1 removable 6-contact terminal block
Relay Contact	24VDC, 1A resistive
Overload Current Protection	Present
Power Reverse Polarity Protection	Present
System Power Consumption	9.3W
Max PoE Power Budget	240W
PoE Power Output	30W max. per PoE port
Environmental Limits	
Operating Temperature	-40°C to 65°C
Storage Temperature	-40°C ~ 85°C
Ambient Relative Humidity	5 to 95%, (non-condensing)
Regulatory Approvals	
EMI	FCC Part 15 Subpart B Class A, CE EN55032/EN61000-6-4 Class A
EMS	CE EN55035/EN61000-6-2 Class A, IEC61000-4-2,3,4,5,6,8
Free Fall	IEC60068-2-32
Shock	IEC60068-2-27
Vibration	IEC60068-2-6
Green	RoHS Compliant
Certifications	FCC, CE, UL 61010-1, 61010-2-201
Warranty	5 Years

ORDERING INFO

LNP-1002G-10G-SFP	10-Port Industrial Gigabit PoE+ Unmanaged Ethernet Switch, with 8*10/100/1000Tx (30W/Port) and 2*10G SFP+ Slots
--------------------------	---

LNP-1002G-10G-SFP-24

10-Port Industrial Gigabit PoE+ Unmanaged Ethernet Switch, with 8*10/100/1000Tx (30W/Port) and 2*10G SFP+ Slots; 12~55VDC Power Input



Features

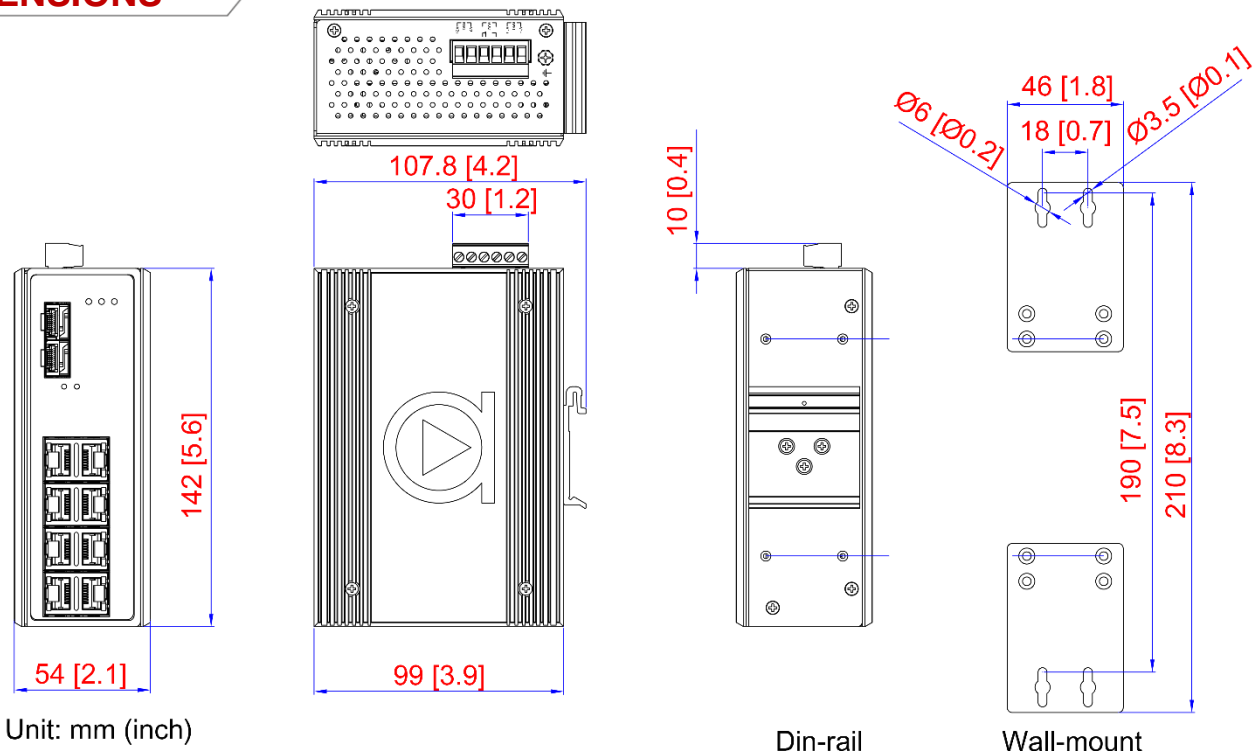
- ▶ Supports 8*10/100/1000Tx IEEE 802.3af/at Compliant with 30W/Port and 2*10G SFP+ Slots
- ▶ Store-and-Forward Switching Architecture
- ▶ 56Gbps Back-Plane (Switching Fabric)
- ▶ 16K MAC Address Table
- ▶ 9.6Kbytes Jumbo Frame Support
- ▶ Redundant Power Input Design: 12~55VDC
- ▶ Built-in 1 Relay Output for Power Failure Warning
- ▶ IP30 Rugged Metal Case Design
- ▶ DIN-Rail and Wall Mount Support Included
- ▶ Operating Temperature Range: -40°~65°C
- ▶ 5-Year Warranty

INTRODUCTION

Antaira Technologies' LNP-1002G-10G-SFP-24 are industrial gigabit PoE+ unmanaged Ethernet switches featuring 8*10/100/1000Tx Gigabit Ethernet ports that support IEEE802.3at for a maximum of 30W/port. The LNP-1002G-10G-SFP-24 is designed with 2*10G SFP+ slots which provide options for long-distance fiber connections. The Ethernet switches are designed with high EFT and ESD protection and support standard operating temperature from -40° to 65°C.

The LNP-1002G-10G-SFP-24 are IP30 rated and DIN-rail mountable. These Ethernet switches are designed to be powered with low voltage input (12~55VDC) while still providing the higher voltages required by the PoE standards. Additionally, these industrial PoE Ethernet switches provide connectivity for outdoor or harsh industrial automation application environments, such as security surveillance, ITS-traffic monitoring systems, oil/gas and mining, facility management for power/utility, water wastewater treatment plants, and lastly, automated production lines in factory automation.

DIMENSIONS



SPECIFICATIONS

Technology	
Standards	IEEE 802.3 10Tx Ethernet
	IEEE 802.3u 100Tx Fast Ethernet
	IEEE 802.3ab 1000Tx Gigabit Ethernet
	IEEE 802.3ae 10 Gigabit Ethernet
	IEEE 802.3af/at Power over Ethernet
Processing Type	Store and Forward
Protocol	CSMA/CD
Flow Control	IEEE 802.3x back pressure flow control
Switch Properties	
Switch Architecture	Back-Plane (Switching Fabric): 56.0Gbps 14,880pps for 10Base-T Ethernet 148,800pps for 100Base-T Fast Ethernet 1,488,000pps for 1000Base-T Gigabit Ethernet
Transfer Rate	14,880,000pps for 10 Gigabit Ethernet Port
Packet Buffer	8Mbits
Jumbo Frame	9.6Kbytes
MAC Table Size	16K
Port Interface	
Ethernet Port	8*10/100/1000Tx (PSE: 30W/Port) Auto negotiation speed, Full/Half duplex mode, and auto MDI/MDI-X connection
SFP Port	2*10G SFP+ slots
PoE Pin Out	V+, V+, V-, V-, for pin 1, 2, 3, 6 (End-span, Mode A) System: Power 1, Power 2, Fault Ethernet Ports: On-Link/Flash-data transmitting PoE: On-connected to PD devices SFP: Link/Active
LED Indicators	
Network Cable	10Base-T: 2-pair UTP/STP Cat. 3, 4, 5 cable EIA/TIA-568 100-ohm (100m) 100Base-TX: 2-pair UTP/STP Cat. 5 cable EIA/TIA-568 100-ohm (100m) 1000BaseTX: 4-pair UTP/STP Cat.5/5E cable EIA/TIA-568 100-ohm (100m)

Mechanical Characteristics	
Housing	Metal, IP30 protection
Dimension	54 x 142 x 99 mm
Weight	Unit: 2.5 lbs.; Shipping: 3.12 lbs.
Mounting	DIN-Rail mounting, Wall mounting
Power Requirement	
Input Voltage	12~55VDC Redundant Input
Power Connection	1 removable 6-contact terminal block
Relay Contact	24 VDC, 1A resistive
Overload Current Protection	Present
Power Reverse Polarity Protection	Present
System Power Consumption	10.2W
Max PoE Power Budget	90W @12VDC, 180W @24VDC, 240W @36~55VDC
PoE Power Output	30W max. per PoE port
Environmental Limits	
Operating Temperature	-40°C to 65°C
Storage Temperature	-40°C ~ 85°C
Ambient Relative Humidity	5 to 95%, (non-condensing)
Regulatory Approvals	
EMI	FCC Part 15 Subpart B Class A, CE EN55032/EN61000-6-4 Class A
EMS	CE EN55035/EN61000-6-2 Class A, IEC61000-4-2,3,4,5,6,8
Free Fall	IEC60068-2-32
Shock	IEC60068-2-27
Vibration	IEC60068-2-6
Green	RoHS Compliant
Certifications	FCC, CE, UL 61010-1, 61010-2-201
Warranty	5 Years

ORDERING INFO

LNP-1002G-10G-SFP-24	10-Port Industrial Gigabit PoE+ Unmanaged Ethernet Switch, with 8*10/100/1000Tx (30W/Port) and 2*10G SFP+ Slots; 12~55VDC Power Input
-----------------------------	---

LNP-1204G-10G-SFP

12-Port Industrial Gigabit PoE+ Unmanaged Ethernet Switch, with 8*10/100/1000Tx (30W/Port), 2*1G SFP Slots, and 2*10G SFP+ Slots



Features

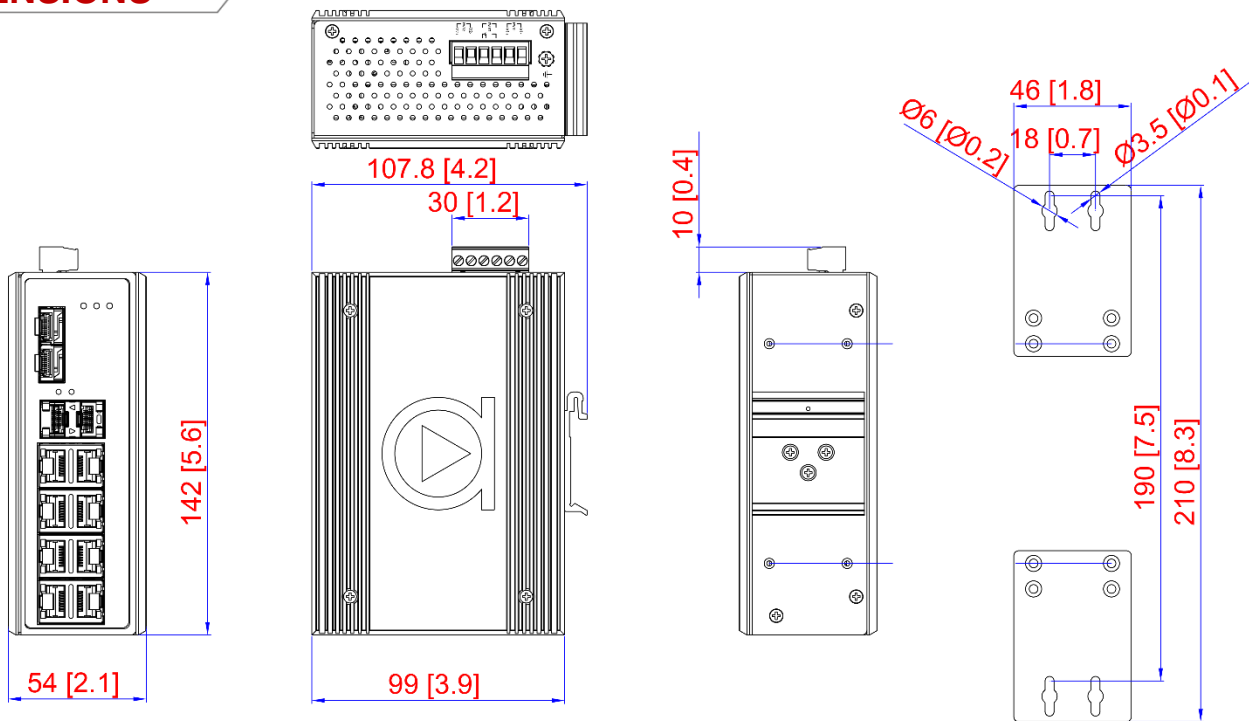
- ▶ Supports 8*10/100/1000Tx IEEE 802.3af/at
- ▶ Compliant with 30W/Port, 2*1G SFP Slots, and 2*10G SFP+ Slots
- ▶ Store-and-Forward Switching Architecture
- ▶ 60Gbps Back-Plane (Switching Fabric)
- ▶ 16K MAC Address Table
- ▶ 9.6Kbytes Jumbo Frame Support
- ▶ Redundant Power Input Design: 48~55VDC
- ▶ Built-in 1 Relay Output for Power Failure Warning
- ▶ IP30 Rugged Metal Case Design
- ▶ DIN-Rail and Wall Mount Support Included
- ▶ Operating Temperature Range: -40°C~65°C
- ▶ 5-Year Warranty

INTRODUCTION

Antaira Technologies' LNP-1204G-10G-SFP are industrial gigabit PoE+ unmanaged Ethernet switches featuring 8*10/100/1000Tx Gigabit Ethernet ports that support IEEE802.3at for a maximum of 30W/port. The LNP-1204G-10G-SFP has 2*1G SFP slots and 2*10G SFP+ slots that provide options for long-distance fiber connections. These Ethernet switches are designed with high EFT and ESD protection and support standard operating temperatures from -40° to 65°C.

The LNP-1204G-10G-SFP are IP30 rated and DIN-rail mountable. They also provide Ethernet connectivity with PoE functions for outdoor or harsh industrial automation application environments, such as security surveillance, ITS-traffic monitoring systems, oil/gas and mining, facility management for power/utility, water wastewater treatment plants, and lastly, automated production lines in factory automation.

DIMENSIONS



Unit: mm (inch)

Din-rail

Wall-mount

SPECIFICATIONS

Technology	
Standards	IEEE 802.3 10Tx Ethernet
	IEEE 802.3u 100Tx Fast Ethernet
	IEEE 802.3ab 1000Tx Gigabit Ethernet
	IEEE 802.3z 1000X Gigabit Fiber
	IEEE 802.3ae 10 Gigabit Ethernet
	IEEE 802.3af/at Power over Ethernet
	IEEE 802.3x Flow Control
Processing Type	Store and Forward
Protocol	CSMA/CD
Flow Control	IEEE 802.3x back pressure flow control
Switch Properties	
Switch Architecture	Back-Plane (Switching Fabric): 60.0Gbps 14,880pps for 10Base-T Ethernet 148,800pps for 100Base-T Fast Ethernet 1,488,000pps for 1000Base-T Gigabit Ethernet 14,880,000pps for 10 Gigabit Ethernet Port
Transfer Rate	
Packet Buffer	8Mbits
Jumbo Frame	9.6Kbytes
MAC Table Size	16K
Port Interface	
Ethernet Port	8*10/100/1000Tx (PSE: 30W/Port) Auto negotiation speed, Full/Half duplex mode, and auto MDI/MDI-X connection
SFP Port	2*1G SFP Slots 2*10G SFP+ Slots
PoE Pin Out	V+, V+, V-, V-, for pin 1, 2, 3, 6 (End-span, Mode A)
LED Indicators	System: Power 1, Power 2, Fault
	Ethernet Ports: On-Link/Flash-data transmitting
	PoE: On-connected to PD devices SFP: Link/Active
Network Cable	10Base-T: 2-pair UTP/STP Cat. 3, 4, 5 cable EIA/TIA-568 100-ohm (100m) 100Base-TX: 2-pair UTP/STP Cat. 5 cable EIA/TIA-568 100-ohm (100m) 1000BaseTX: 4-pair UTP/STP Cat.5/5E cable EIA/TIA-568 100-ohm (100m)

Mechanical Characteristics	
Housing	Metal, IP30 protection
Dimension	54 x 142 x 99 mm
Weight	Unit: 2.52 lbs.; Shipping: 3.13 lbs.
Mounting	DIN-Rail mounting, Wall mounting
Power Requirement	
Input Voltage	48~55VDC Redundant Input
Power Connection	1 removable 6-contact terminal block
Relay Contact	24 VDC, 1A resistive
Overload Current Protection	Present
Power Reverse Polarity Protection	Present
System Power Consumption	10.7W
Max PoE Power Budget	240W
PoE Power Output	30W max. per PoE port
Environmental Limits	
Operating Temperature	-40°C to 65°C
Storage Temperature	-40°C ~ 85°C
Ambient Relative Humidity	5 to 95%, (non-condensing)
Regulatory Approvals	
EMI	FCC Part 15 Subpart B Class A, CE EN55032/EN61000-6-4 Class A
EMS	CE EN55035/EN61000-6-2 Class A, IEC61000-4-2,3,4,5,6,8
Free Fall	IEC60068-2-32
Shock	IEC60068-2-27
Vibration	IEC60068-2-6
Green	RoHS Compliant
Certifications	FCC, CE, UL 61010-1, 61010-2-201
Warranty	5 Years

ORDERING INFO

LNP-1204G-10G-SFP	12-Port Industrial Gigabit PoE+ Unmanaged Ethernet Switch, with 8*10/100/1000Tx (30W/Port), 2*1G SFP Slots, and 2*10G SFP+ Slots
--------------------------	--

LNP-1204G-10G-SFP-24

12-Port Industrial Gigabit PoE+ Unmanaged Ethernet Switch, with 8*10/100/1000Tx (30W/Port), 2*1G SFP Slots, and 2*10G SFP+ Slots; 12~55VDC Power Input



Features

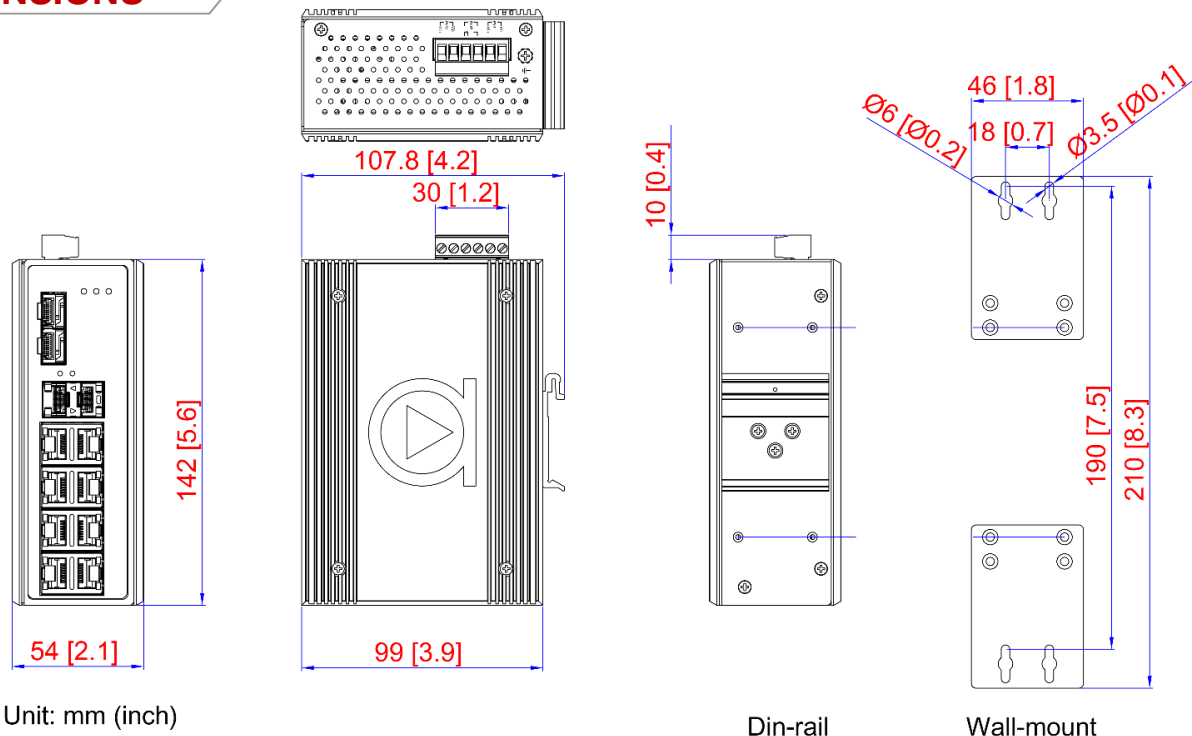
- ▶ Supports 8*10/100/1000Tx IEEE 802.3af/at
- ▶ Compliant with 30W/Port, 2*1G SFP Slots, and 2*10G SFP+ Slots
- ▶ Store-and-Forward Switching Architecture
- ▶ 60Gbps Back-Plane (Switching Fabric)
- ▶ 16K MAC Address Table
- ▶ 9.6Kbytes Jumbo Frame Support
- ▶ Redundant Power Input Design: 12~55VDC
- ▶ Built-in 1 Relay Output for Power Failure Warning
- ▶ IP30 Rugged Metal Case Design
- ▶ DIN-Rail and Wall Mount Support Included
- ▶ Operating Temperature Range: -40°C~65°C
- ▶ 5-Year Warranty

INTRODUCTION

Antaira Technologies' LNP-1204G-10G-SFP-24 are industrial gigabit PoE+ unmanaged Ethernet switches featuring 8*10/100/1000Tx Gigabit Ethernet ports that support IEEE802.3at for a maximum of 30W/port. The LNP-1204G-10G-SFP-24 has 2*1G SFP slots and 2*10G SFP+ slots which provide options for long-distance fiber connections. The Ethernet switches are designed with high EFT and ESD protection and support standard operating temperature from -40° to 65°C.

The LNP-1204G-10G-SFP-24 are IP30 rated and DIN-rail mountable. These Ethernet switches are designed to be powered with low voltage input (12~55VDC) while still providing the higher voltages required by the PoE standards. Additionally, these industrial PoE Ethernet switches provide connectivity for outdoor or harsh industrial automation application environments, such as security surveillance, ITS-traffic monitoring systems, oil/gas and mining, facility management for power/utility, water wastewater treatment plants, and lastly, automated production lines in factory automation.

DIMENSIONS



SPECIFICATIONS

Technology	
Standards	IEEE 802.3 10Tx Ethernet IEEE 802.3u 100Tx Fast Ethernet IEEE 802.3ab 1000Tx Gigabit Ethernet IEEE 802.3z 1000X Gigabit Fiber IEEE 802.3ae 10 Gigabit Ethernet IEEE 802.3af/at Power over Ethernet
Processing Type	Store and Forward
Protocol	CSMA/CD
Flow Control	IEEE 802.3x back pressure flow control
Switch Properties	
Switch Architecture	Back-Plane (Switching Fabric): 60.0Gbps 14,880pps for 10Base-T Ethernet 148,800pps for 100Base-T Fast Ethernet 1,488,000pps for 1000Base-T Gigabit Ethernet
Transfer Rate	14,880,000pps for 10 Gigabit Ethernet Port
Packet Buffer	8Mbits
Jumbo Frame	9.6Kbytes
MAC Table Size	16K
Port Interface	
Ethernet Port	8*10/100/1000Tx (PSE: 30W/Port) Auto negotiation speed, Full/Half duplex mode, and auto MDI/MDI-X connection
SFP Port	2*1G SFP slots 2*10G SFP+ slots
PoE Pin Out	V+, V+, V-, V-, for pin 1, 2, 3, 6 (End-span, Mode A)
LED Indicators	System: Power 1, Power 2, Fault Ethernet Ports: On-Link/Flash-data transmitting PoE: On-connected to PD devices SFP: Link/Active
Network Cable	10Base-T: 2-pair UTP/STP Cat. 3, 4, 5 cable EIA/TIA-568 100-ohm (100m) 100Base-TX: 2-pair UTP/STP Cat. 5 cable EIA/TIA-568 100-ohm (100m) 1000BaseTX: UTP/STP Cat.5/5E cable EIA/TIA-568 100-ohm (100m)

Mechanical Characteristics	
Housing	Metal, IP30 protection
Dimension	54 x 142 x 99 mm
Weight	Unit: 2.63 lbs.; Shipping: 3.24 lbs.
Mounting	DIN-Rail mounting, Wall mounting
Power Requirement	
Input Voltage	12~55VDC Redundant Input
Power Connection	1 removable 6-contact terminal block
Relay Contact	24VDC, 1A resistive
Overload Current Protection	Present
Power Reverse Polarity Protection	Present
System Power Consumption	11.3W
Max PoE Power Budget	90W @12VDC, 180W @24VDC, 240W @36-55VDC
PoE Power Output	30W max. per PoE port
Environmental Limits	
Operating Temperature	-40°C to 65°C
Storage Temperature	-40°C ~ 85°C
Ambient Relative Humidity	5 to 95%, (non-condensing)
Regulatory Approvals	
EMI	FCC Part 15 Subpart B Class A, CE EN55032/EN61000-6-4 Class A
EMS	CE EN55035/EN61000-6-2 Class A, IEC61000-4-2,3,4,5,6,8
Free Fall	IEC60068-2-32
Shock	IEC60068-2-27
Vibration	IEC60068-2-6
Green	RoHS Compliant
Certifications	FCC, CE, UL 61010-1, 61010-2-201
Warranty	5 Years

ORDERING INFO

LNP-1204G-10G-SFP-24	12-Port Industrial Gigabit PoE+ Unmanaged Ethernet Switch, with 8*10/100/1000Tx (30W/Port), 2*1G SFP Slots, and 2*10G SFP+ Slots
-----------------------------	--