

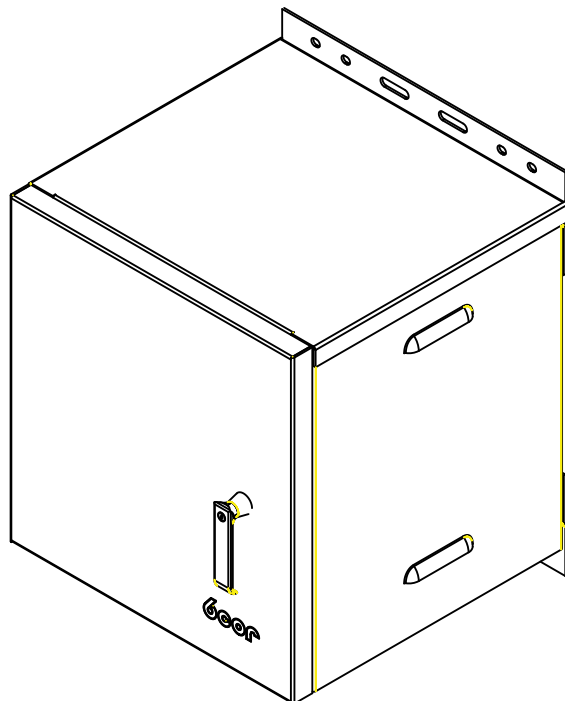
6COR BATTERY ENCLOSURE

20"H x 17"W x 15" ENCLOSURE:

- Heavy duty aluminum 5052 with NEMA 3R/3S
- Vertical position: 2-110AH battery capacity
- White powder coat
- Weather/flame proof gasket
- Stainless steel hardware & concealed continuous hinge
- Heavy duty hinges and locking clasps
- Stainless steel stand off for backplate mounting
- Key locking door handle with 3PT latch
- Vented - screened louvers

BACK PLATE

- 16"H x 14 1/2"W included
- Backplate mounted using standoffs



6cor

TO ORDER

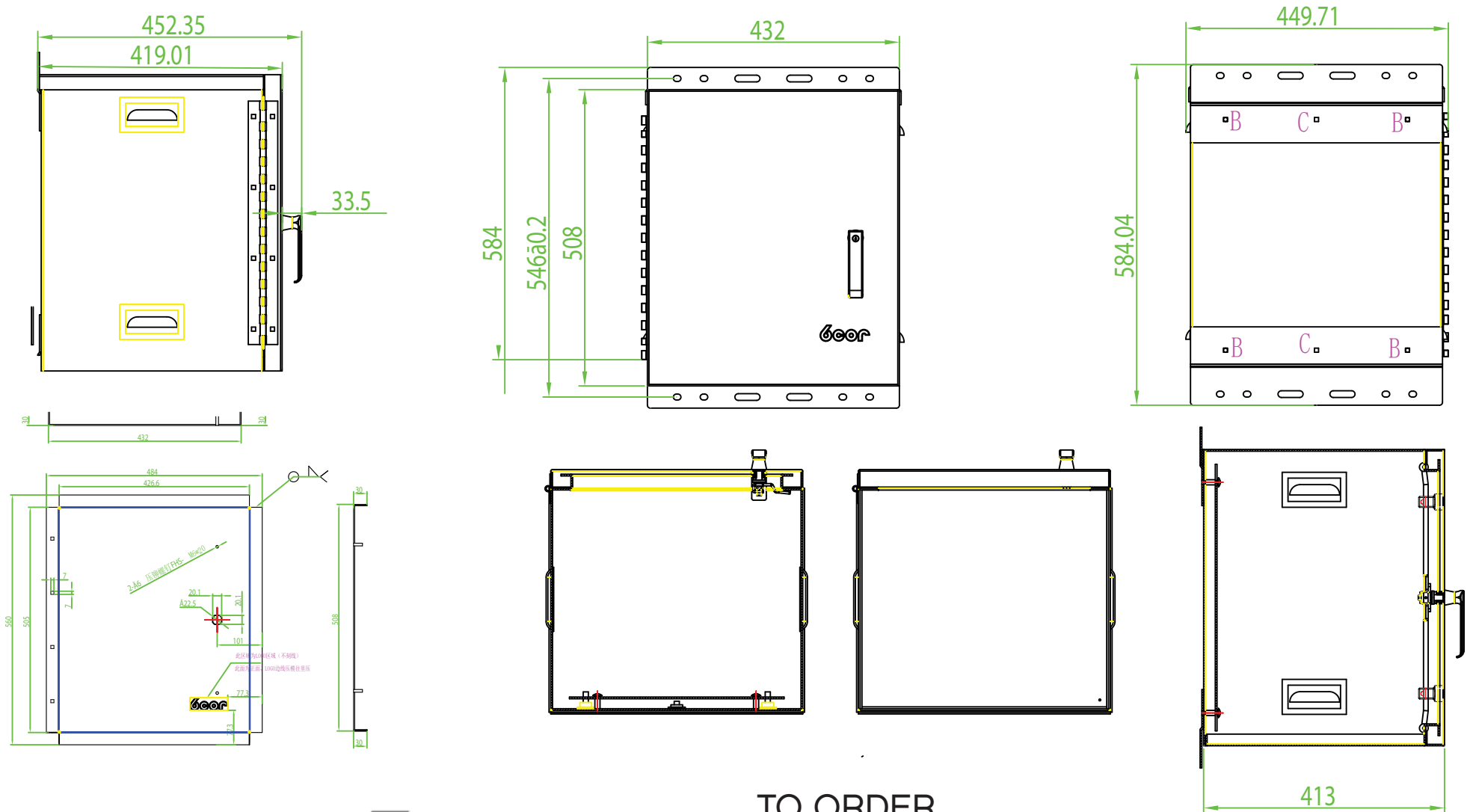
800.898.2988

AUTOMATION-X.COM

SALES@AUTOMATION-X.COM

6COR BATTERY ENCLOSURE

20"H x 17"W x 15" ENCLOSURE:



TO ORDER

800.898.2988

AUTOMATION-X.COM

SALES@AUTOMATION-X.COM