

CoriolisMaster FCB130, FCB150, FCH130, FCH150

Coriolis mass flowmeter

High precision measurement of mass and volume flow, density, temperature and concentration with just one device

Measurement made easy



The ideal transmitter for system integration

- Modbus for quick and comprehensive communication
- Two fast digital outputs that can be configured as pulse outputs, frequency outputs or binary outputs

VeriMass on-board verification and diagnostics

- Online preventive maintenance
- Extended maintenance cycles
- Reduced maintenance effort

CoriolisMaster software tools

- DensiMass for concentration measurement, net-mass and volume flow calculations
- FillMass for filling applications

Lower pressure drop

Self-draining

Global approvals for explosion protection

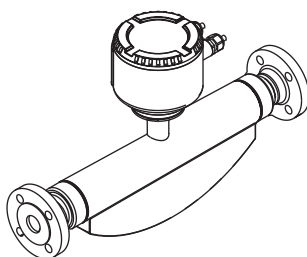
CoriolisMaster FCH100

- Designed for hygienic applications
- EHEDG certified

CoriolisMaster FCB130, FCB150, FCH130, FCH150

Coriolis mass flowmeter

Overview – models



G11602

Fig. 1: FCB1xx / FCH1xx

Model number	FCB1xx for standard applications	FCH1xx for hygienic applications
Process connections		
– Flange DIN 2501 / EN 1092-1	DN 10 ... 200, PN 40 ... 100	–
– Flange ASME B16.5	DN 1/2" ... 8", CL150 ... CL1500	–
– Threaded pipe fitting conforming to DIN 11851	DN 10 ... 100 (1/4" ... 4")	DN 15 ... 80 (1/2" ... 3")
– Tri-Clamp	DIN 32676 (ISO 2852) BPE Tri-Clamp DN 10 ... 100 (1/4" ... 4")	DIN 32676 (ISO 2852) BPE Tri-Clamp DN 10 ... 100 (1/4" ... 4")
– Other connections	On request	On request
Wetted material	Stainless steel 1.4404 (AISI 316L) or 1.4435 (AISI 316L), nickel-alloy C4 / C22 (optional)	Stainless steel, polished 1.4404 (AISI 316L) or 1.4435 (AISI 316L)
Approvals and certificates		
– Explosion protection ATEX / IECEx	Zone 0, 1, 2, 21, 22	Zone 0, 1, 2, 21, 22
– Explosion protection cFMus	Class I Div. 1, Class I Div. 2, Zone 0, 1, 2, 21	Class I Div. 1, Class I Div. 2, Zone 0, 1, 2, 21
– Hygiene approvals	–	EHEDG, FDA compliant
– Further approvals	Available on our website abb.com/flow or on request	

Measuring accuracy for liquids	FCB130	FCB150	FCH130	FCH150
– Mass flow ¹⁾	0.4 %, 0.25 % and 0.2 %	0.1 % and 0.15 %	0.4 %, 0.25 % and 0.2 %	0.1 % and 0.15 %
– Volume flow ¹⁾	0.4 %, 0.25 % and 0.2 %	0.15 %	0.4 %, 0.25 % and 0.2 %	0.15 %
– Density	0.01 kg/l	– 0.002 kg/l – 0.001 kg/l (optional) – 0.0005 kg/l ²⁾	0.01 kg/l	– 0.002 kg/l – 0.001 kg/l (optional) – 0.0005 kg/l ²⁾
– Temperature	1 K	0.5 K	1 K	0.5 K
Measuring accuracy for gases ¹⁾	1 %	0.5 %	1 %	0.5 %
Permissible measuring medium temperature	-50 ... 160 °C (-58 ... 320 °F)	-50 ... 205 °C (-58 ... 400 °F)	-50 ... 160 °C (-58 ... 320 °F)	-50 ... 205 °C (-58 ... 400 °F)
Power supply	11 ... 30 V DC			
IP rating in accordance with EN 60529	IP 65 / IP 67 / IP 68 (immersion depth: 5 m), NEMA 4X			
Communication	Modbus RTU, RS485			
Outputs in serial production	– Digital output 1: passive – Digital output 2: passive			
External output zero return	Yes			
External totalizer reset	Yes			
Flow measurement in forward flow and reverse flow direction	Yes			
Empty pipe detection	Yes, based on preconfigured density alarm			
Self-monitoring and diagnosis	Yes			
Field optimization for flow and density	Yes			
Concentration measurement "DensiMass"	Yes, optional on models FCB150 and FCH150			
"FillMass" fill function	Yes, optional on models FCB150 and FCH150			
"VeriMass" diagnosis function	Yes, optional			

1) Indication of accuracy in % of the measured value (% of measured value)

2) Measuring accuracy following on-site calibration under operating conditions

CoriolisMaster FCB130, FCB150, FCH130, FCH150

Coriolis mass flowmeter

General data

Device description

The CoriolisMaster FCB130, FCB150, FCH130, FCH150 is the low-cost and simple ABB mass flowmeter with the new DSP transmitter.

The device is equipped with a Modbus interface and two fast digital outputs that can be configured as pulse outputs, frequency outputs or binary outputs.

The CoriolisMaster FCB130, FCB150, FCH130, FCH150 operates in accordance with the Coriolis principle. The design offers the following benefits:

- Space-saving, robust design.
- Variety of process connections.
- Two digital outputs.
- Communication via Modbus RTU protocol.
- Approval for use in potentially explosive atmospheres. The user can select the "i" or "e" type of protection for the output circuits; the type chosen will depend on the circuits which are connected. The type of protection can be changed even after installation has been completed.

VeriMass erosion monitor

The integrated VeriMass diagnosis function allows the status of the meter tube to be monitored. This enables changes due to material erosion and the formation of deposits on the meter tube walls to be identified at an early stage.

If the set limit value is exceeded, an alarm is triggered, e.g. via the programmable digital output or HART, depending on the configuration.

The limit value for the erosion monitor can be set either automatically or manually.

Automatic adjustment

The transmitter monitors the sensor's driver current over a prolonged period and creates a "fingerprint" for the relevant application. The transmitter generates a corresponding tolerance value for deviations in the driver current.

The transmitter compares the behavior of the driver current with the generated fingerprint and triggers the relevant error message in the event of prolonged deviations.

Manual adjustment

For applications where automatic adjustment of the erosion monitor does not provide a satisfactory result, the erosion monitor can be balanced manually.

For more information please contact ABB Service or the sales organization.

DensiMass concentration measurement

Only for FCB150 / FCH150

The transmitter can calculate the current concentration from the measured density and temperature using concentration matrices.

The following concentration matrices are preconfigured in the transmitter as standard:

- Concentration of sodium hydroxide in water
- Concentration of alcohol in water
- Concentration of sugar in water
- Concentration of maize starch in water
- Concentration of wheat starch in water

The user can enter two more user-defined matrices containing up to 100 values.

Calculating standard volumes and standard densities of liquids

If a suitable matrix is available, the DensiMass function also allows the measured volume to be corrected for any selected temperature.

The measured density can also be corrected for a given temperature.

However, this is only possible when measuring liquids and after entering an appropriate matrix.

This correction can also be performed using the default matrices (see above).

The calculated standard volumes and standard densities can also be issued for all other process variables.

The software "DensiMatrix" is available for the easy input of the matrix.

Accuracy of the concentration measurement

The accuracy of the concentration measurement is determined in the first instance by the quality of the matrix data entered. However, as the calculation is based on temperature and density (the input variables), the accuracy of the concentration measurement is ultimately determined by the measuring accuracy of the temperature and the density.

Example:

Density of 0 % alcohol in water at 20 °C (68 °F): 998.23 g/l

Density of 100 % alcohol in water at 20 °C (68 °F): 789.30 g/l

Concentration	Density
100 %	208.93 g/l
0.48 %	1 g/l
0.96 %	2 g/l

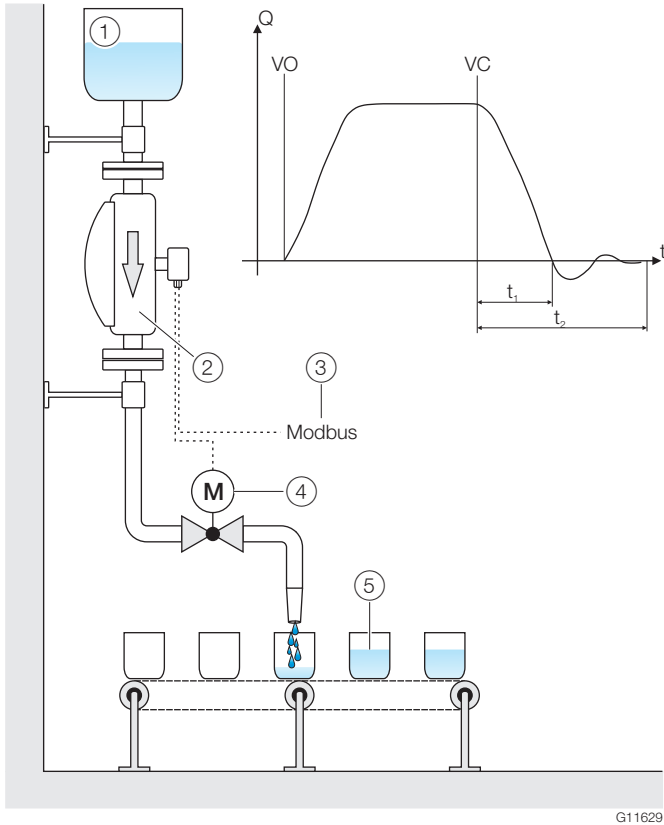
Thus, the accuracy class of the density measurement directly determines the accuracy of the concentration measurement.

CoriolisMaster FCB130, FCB150, FCH130, FCH150

Coriolis mass flowmeter

FillMass batch function

Only for FCB150 / FCH150



G11629

Fig. 2: FillMass batch function

① Supply tank ② Sensor ③ Filling start / stop switch ④ Filling valve ⑤ Filling tank

Diagram key

VO	Valve open (filling started)
VC	Valve closed (fill quantity reached)
t ₁	Valve closing time
t ₂	Overrun time

The integrated FillMass batch function allows filling processes to be recorded in > 3 seconds.

For this purpose, the filling quantity is given via an adjustable totalizer.

The Modbus interface is used to configure and control the fill function.

The valve is triggered via one of the digital outputs and closed again once the preset filling quantity is reached.

The transmitter measures the overrun quantity and calculates the overrun correction from this.

Additionally, the low flow cut-off can be activated if required.

Flowmeter sensor

General installation conditions

Installation location and assembly

Note the following points when selecting the installation location and when mounting the sensor:

- The ambient conditions (IP rating, ambient temperature range T_{amb}) of the device must be adhered to at the installation location.
- Sensors and transmitters must not be exposed to direct sunlight. If necessary, provide a suitable means of sun protection on site. The limit values for the ambient temperature T_{amb} must be observed.
- On flange devices, ensure that the counterflanges of the piping are aligned plane parallel. Only install flange devices with suitable gaskets.
- Prevent the sensor from coming into contact with other objects.
- The device is designed for industrial applications. No special EMC protective measures are required if the electromagnetic fields and interference at the installation location of the device comply with "Best Practice" guidelines (in accordance with the standards referred to in the declaration of conformity).
Maintain a suitable distance from electromagnetic fields and interference that extend beyond the usual dimensions.

Gaskets

Users are responsible for selecting and mounting suitable gaskets (material, shape).

Note the following points when selecting and mounting gaskets:

- Only gaskets made from a material that is compatible with the measuring medium and measuring medium temperature may be used
- Gaskets must not extend into the flow area, since possible turbulence may influence the accuracy of the device.

Calculating pressure loss

Pressure loss is determined by the properties of the medium and the flow.

Documents to help with the calculation of pressure loss can be accessed from www.abb.com/flow-selector.

Brackets and supports

No special supports or damping are required for the device when the device is used and installed as intended.

In systems designed in accordance with "Best Practice" guidelines, the forces acting on the device are already sufficiently absorbed. This is also true of devices installed in series or in parallel.

For heavier devices, it is advisable to use additional supports / brackets on site. Doing this prevents damage to the process connections and piping from lateral forces.

Please observe the following points:

- Mount two supports or brackets symmetrically in the immediate vicinity of the process connections.
- Do not attach any supports or brackets to the flowmeter sensor housing.

Inlet section

The sensor does not require any inlet section.

The devices can be installed directly before/after manifolds, valves or other equipment, provided that no cavitation is caused by this equipment.

Mounting position

The flowmeter operates in any mounting position.

Depending on the measuring medium (liquid or gas) and the measuring medium temperature, certain mounting positions are preferable to others. For this purpose, consider the following examples.

The preferred flow direction is indicated by the arrow on the sensor. The flow will be displayed as positive.

The specified measuring accuracy can be achieved only in the calibrated flow direction (for forward flow calibration, this is only in the direction of the arrow; for the optional forward flow and reverse flow calibration, this can be in both flow directions).

CoriolisMaster FCB130, FCB150, FCH130, FCH150

Coriolis mass flowmeter

Liquid measuring media

Observe the following points to avoid measuring errors:

- The meter tubes must always be completely filled with the measuring medium.
- The gases dissolved in the measuring medium must not leak out. To safeguard this, a minimum back pressure of 0.2 bar (2.9 psi) is recommended.
- The minimum vapor pressure of the measuring medium must be maintained when there is negative pressure in the meter tube or when liquids are gently simmering.
- During operation, there must be no phase transitions in the measuring medium.

Vertical installation

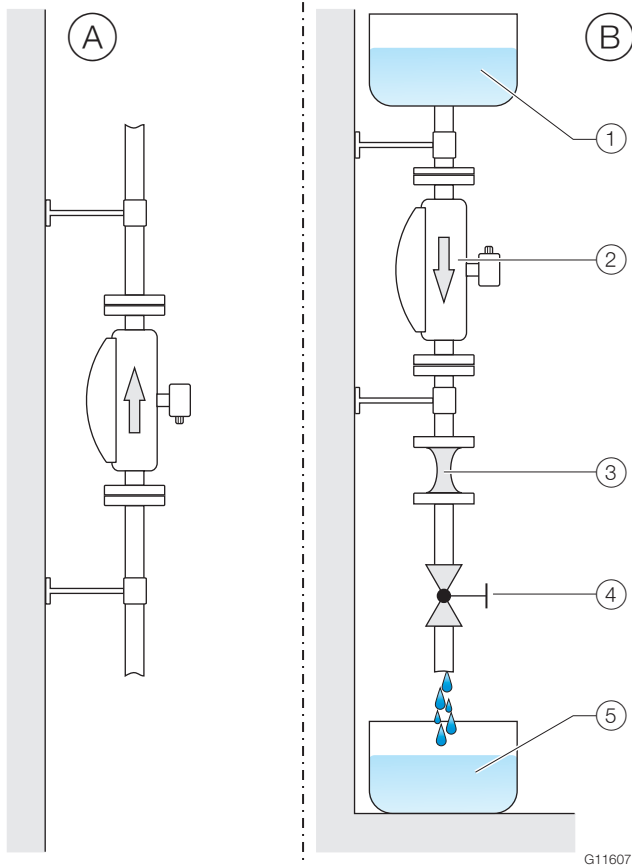


Fig. 3: Vertical installation

- ① Supply tank ② Sensor ③ Piping constriction / orifice plate
④ Turn-off device ⑤ Filling tank

(A) Vertical installation in a riser

For vertical installation in a riser, no special measures are required.

(B) Vertical installation in a downpipe

For vertical installation in a downpipe, a piping constriction or an orifice plate must be installed below the sensor. Doing this prevents the sensor from draining during the measurement.

Horizontal installation

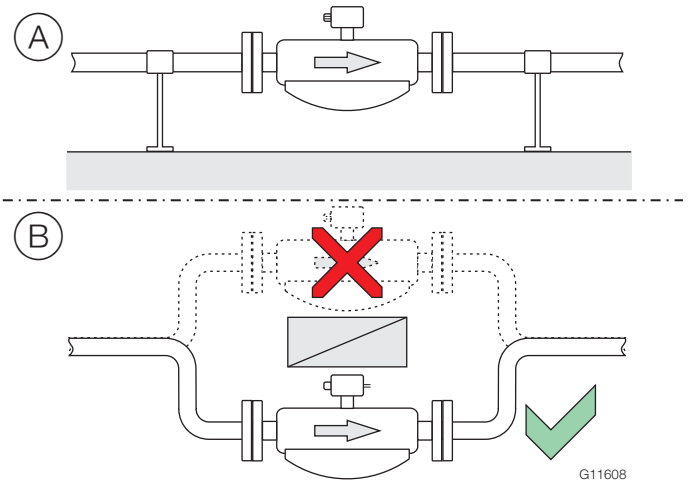


Fig. 4: Horizontal installation

(A) For liquid measuring media and horizontal installation, the transmitter and terminal box must point upward.

(B) Installing the sensor at the highest point of the piping leads to an increased number of measuring errors due to the accumulation of air or the formation of gas bubbles in the meter tube.

Gaseous measuring media

Observe the following points to avoid measuring errors:

- Gases must be dry and free of liquids and condensates.
- Avoid the accumulation of liquids and the formation of condensate in the meter tube.
- During operation, there must be no phase transitions in the measuring medium.

If there is a risk of condensate formation when using gaseous measuring media, note the following:

Ensure that condensates cannot accumulate in front of the sensor.

If this cannot be avoided, we recommend that the sensor is installed vertically with a downward flow direction.

Vertical installation

For vertical installation, no special measures are required.

Horizontal installation

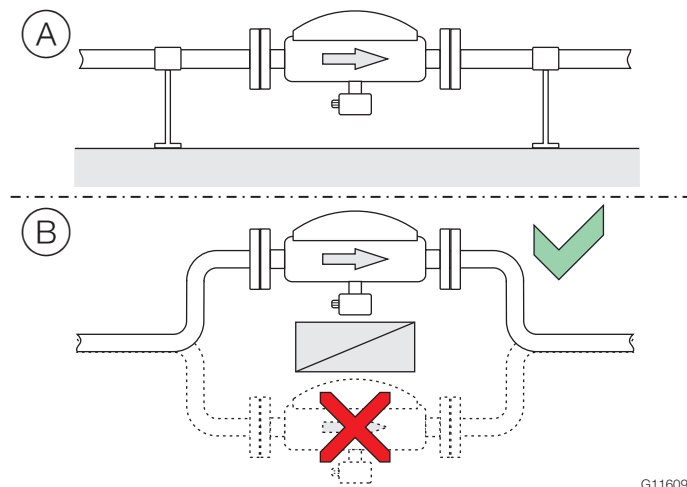


Fig. 5: Horizontal installation

- (A) For gaseous measuring media and horizontal installation, the transmitter and terminal box must point downward.
- (B) Installing the sensor at the lowest point of the piping leads to an increased number of measuring errors due to the accumulation of liquid or the formation of condensates in the meter tube.

Mounting position dependent on the measuring medium temperature

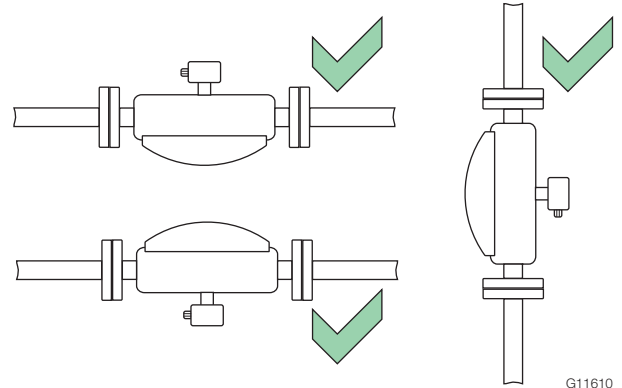


Fig. 6: Mounting positions when T_{medium} is $-50 \dots 120 \text{ }^{\circ}\text{C}$ ($-58 \dots 248 \text{ }^{\circ}\text{F}$)

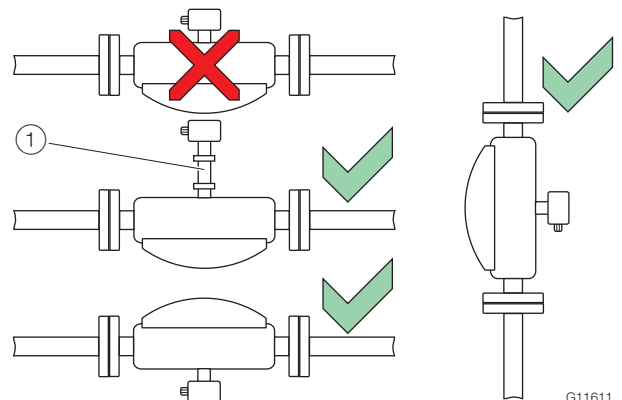


Fig. 7: Mounting positions when T_{medium} is $-50 \dots 205 \text{ }^{\circ}\text{C}$ ($-58 \dots 401 \text{ }^{\circ}\text{F}$)

- ① Sensor with option TE1 "extended tower length"

In conjunction with option TE1 "extended tower length", the sensor can also be used at measuring medium temperatures of $-50 \dots 205 \text{ }^{\circ}\text{C}$ ($-58 \dots 401 \text{ }^{\circ}\text{F}$) with the terminal box pointing upward.

CoriolisMaster FCB130, FCB150, FCH130, FCH150

Coriolis mass flowmeter

Sensor insulation

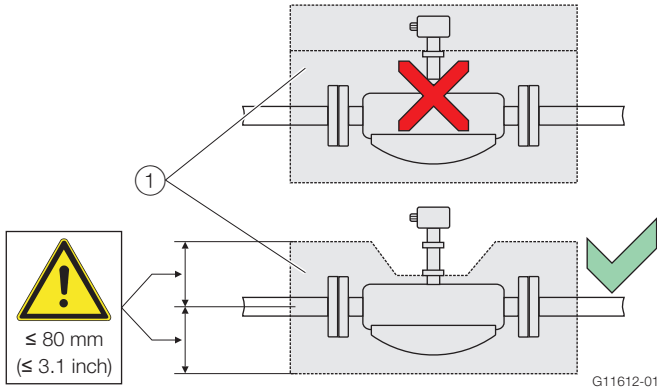


Fig. 8: Installation when T_{medium} is $-50^{\circ}\dots 205^{\circ}\text{C}$ ($-58 \dots 400^{\circ}\text{F}$)

① Insulation

The sensor may be insulated only in conjunction with option TE1 "Tower length extension - meter insulation capability" or TE2 "Tower length extension - meter insulation capability with double sealing", as shown in Fig. 8.

Turn-off devices for zero point adjustment

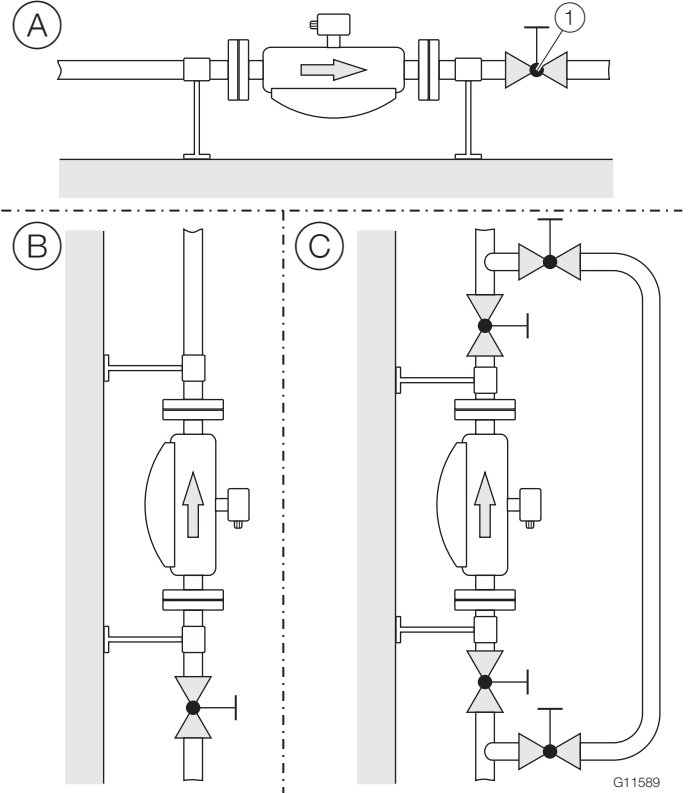


Fig. 9: Mounting options for turn-off devices (example)

① Turn-off device

To guarantee the conditions for zero point adjustment under operating conditions, turn-off devices are required in the piping:

- ① (A) At least on the outlet side when the transmitter is mounted in horizontal position.
- ① (B) At least on the inlet side when the transmitter is mounted in vertical position.
- ① (C) In order to perform adjustment during an ongoing process, it is advisable to mount a bypass pipe as shown.

Installation in EHEDG-compliant installations

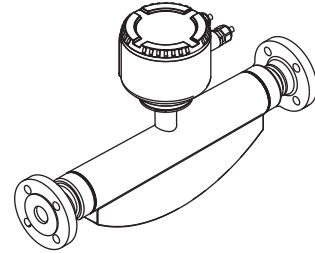
⚠ WARNING

Risk of poisoning!

Bacteria and chemical substances can contaminate or pollute pipeline systems and the materials they are made of. In EHEDG-compliant installations, the instructions below must be observed.

- The required self-draining functionality of the sensor can only be guaranteed when the vertical mounting position is used (see also Fig. 3 on page 8).
- The combination of process connections and gaskets selected by the operator may comprise only EHEDG-compliant components. Note the information in the current version of the EHEDG Position Paper entitled "Hygienic Process connections to use with hygienic components and equipment".
- The pipe fitting in accordance with DIN 11851 is approved for use in conjunction with an EHEDG-compliant gasket.

Designs



G11602

Fig. 10: Sensor

Nominal diameter and measuring range

Nominal diameter	Q _{max} in kg/h (lb/h)
DN 15 (1/2")	0 ... 8,000 (0 ... 17,637)
DN 25 (1")	0 ... 35,000 (0 ... 77,162)
DN 50 (2")	0 ... 90,000 (0 ... 198,416)
DN 80 (3")	0 ... 250,000 (0 ... 551,156)
DN 100 (4")	0 ... 520,000 (0 ... 1,146,404)
DN 150 (6")	0 ... 860,000 (0 ... 1,895,975)

Recommended flow range

Fluids:

- The recommended flow range is 5 ... 100 % of Q_{max}.
- Flows < 1 % of Q_{max} should be avoided.

Gases:

- The flow velocity of gases in the meter tube should not exceed 0.3 Mach (approx. 100 m/s (328 ft/s)).
- Flow velocities above 80m/s may lead to increased repeatability values.
- The maximum flow range of gases is determined by the operating density. Dimensioning guidelines are available at www.abb.com/flow.

CoriolisMaster FCB130, FCB150, FCH130, FCH150

Coriolis mass flowmeter

Measuring accuracy

Reference conditions

Calibration fluid	Water — Temperature: 25 °C (77 °F) ±5 K — Pressure: 2 ... 4 bar (29 ... 58 psi)
Ambient temperature	25 °C (77 °F) +10 K / -5 K
Power supply	Line voltage according to name plate U _N ±1 %
Warm-up phase	30 minutes
Installation	— Installation according to chapter titled "Installation instructions" and "Mounting positions" — No visible gas phase — No external mechanical or hydraulic disturbances, particularly cavitation
Output calibration	Pulse output

Measured error

The measured error is calculated as follows for the flow:

Scenario 1:

If

$$\text{Flow rate} \geq \frac{\text{Zero stability}}{(\text{base accuracy} / 100)}$$

Then:

- Maximum measured error:
± Base accuracy as % of measured value
- Repeatability:
± 1/2 x base accuracy as % of measured value

Scenario 2:

If

$$\text{Flow} < \frac{\text{Zero stability}}{(\text{base accuracy} / 100)}$$

Then:

- Maximum measured error:
± (zero stability / measured value) x 100 % of measured value
- Repeatability:
± 1/2 x (zero stability / measured value) x 100% of measured value

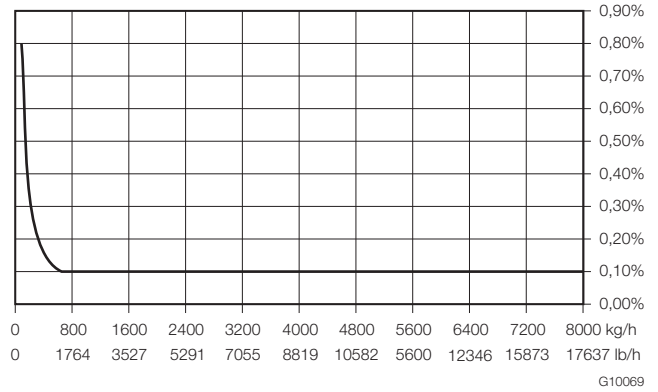


Fig. 11: Calculation of measured error, FCB150 DN 15 (example)

Measurement dynamic	Flow rate	Maximum measured error ¹⁾
100:1	80 kg/h (176,4 lb/h)	0.8 %
50:1	160 kg/h (352,7 lb/h)	0.4 %
10:1	800 kg/h (1763,7 lb/h)	0.1 %
2:1	4000 kg/h (8818,5 lb/h)	0.1 %
1:1	8000 kg/h (17637 lb/h)	0.1 %

Measured error and base accuracy for liquids

	FCx130	FCx150
Mass flow ¹⁾	± 0.4 %, ± 0.25 %, ± 0.2 %	± 0.15 %, ± 0.1 %
Volume flow ¹⁾	± 0.4 %, ± 0.25 %, ± 0.2 %	± 0.15 %
Density	0.010 kg/l ²⁾	0.002 kg/l ²⁾ , 0.001 kg/l ³⁾ , 0.0005 kg/l ⁴⁾ (option)
Repeatability for flow	See chapter "Measured error" on page 12.	
Repeatability for density	0.002 kg/l	0.002 kg/l ²⁾ , 0.001 kg/l ³⁾ , 0.00025 kg/l (option ⁴⁾)
Temperature	1 K	0.5 K

- 1) Indication of accuracy in % of the measured value (% of measured value)
- 2) For the density range from 0.5 ... 1.8 kg/dm³
- 3) As 2) and for the measuring medium temperature range from -10 ... 50 °C (14 ... 122 °F)
- 4) As 3) and after field adjustment under operating conditions

Measured error and base accuracy for gases

	FCx130	FCx150
Mass flow ¹⁾	± 1 %	± 0.5 %
Temperature	1 K	0.5 K

1) Indication of accuracy in % of the measured value (% of measured value)

Zero stability

Nominal Diameter	kg/h (lb/h)
DN 15 (1/2")	0,64 (1,41)
DN 25 (1")	2,16 (4,76)
DN 50 (2")	7,20 (15,87)
DN 80 (3")	20 (44)
DN 100 (4")	41,6 (91,7)
DN 150 (6")	68,8 (151,68)

Effect of the measuring medium temperature

For the flow, less than ± 0.0015 % of Q_{max} / 1 K.

For the density, less than 0.0001 kg/dm³ / 1 K.

Effect of the operating pressure

Nominal Diameter	Flow [% of measured value / bar]	Density [kg/dm ³ / bar]
DN 15 (1/2")	-0,002	No effect
DN 25 (1")	-0,013	0,00035
DN 50 (2")	-0,010	0,00027
DN 80 (3")	-0,006	0,00019
DN 100 (4")	-0,009	0,00024
DN 150 (6")	-0,035	0,00045

Technical data

Pressure loss

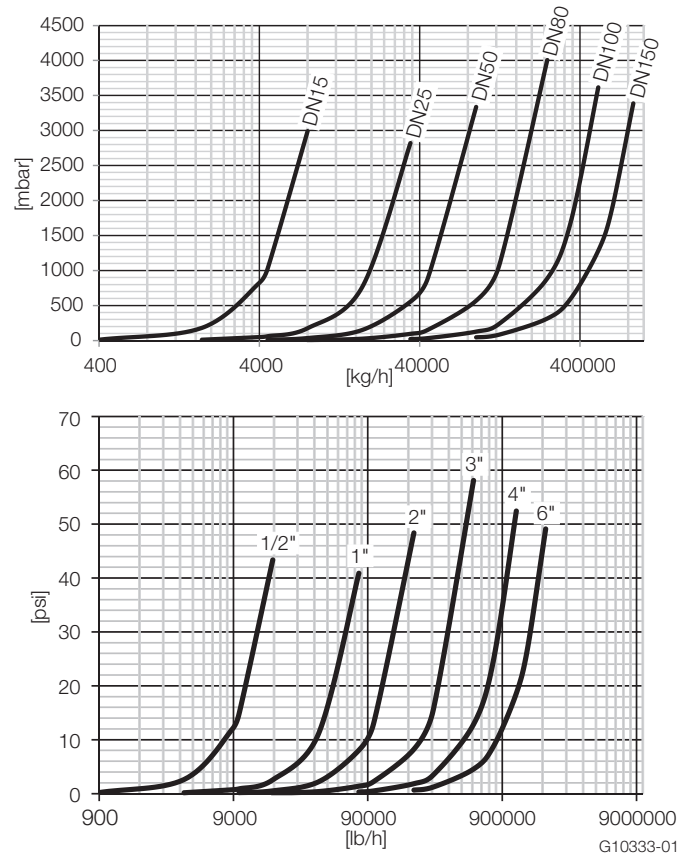


Fig. 12: Pressure loss curve (measured with water, viscosity: 1 mPas)

Viscosity range

If you are working with dynamic viscosities

≥ 1 Pas (1000 mPas = 1000 cP), please contact ABB.

CoriolisMaster FCB130, FCB150, FCH130, FCH150

Coriolis mass flowmeter

Temperature limits °C (°F)

NOTICE

When using the device in potentially explosive atmospheres, note the additional data in chapters "Use in potentially explosive atmospheres according to ATEX and IECEx" on page 40 and "Use in potentially explosive atmospheres in accordance with cFMus" on page 46!

Measuring medium temperature T_{medium}

- FCx130: -50 ... 160 °C (-58 ... 320 °F)
- FCx150: -50 ... 205 °C (-58 ... 401 °F)

Ambient temperature T_{amb}

The permissible ambient temperature range depends on the order code "ambient temperature range" (TA3, TA8, TA9).

- TA3: -20 ... 70 °C (-4 ... 158 °F)
- TA8: -40 ... 55 °C (-40 ... 131 °F)
- TA9: -40 ... 70 °C (-40 ... 158 °F)

Process connections

For an overview of the available process connection variants, see the chapter entitled "Overview – models" on page 2.

Pressure rating

The maximum permissible operating pressure is determined by the respective process connection, the temperature of the medium to be measured, the screws, and the gasket material. For an overview of the available pressure ratings, see the chapter entitled "Overview – models" on page 2.

Enclosure as protective device (optional)

Oder Code PR5

- Maximum burst pressure 60 bar (870 psi).

Optional Oder Code PR5 and PR7 on request

- Increased burst pressures up to 100 bar (1450 psi), possible for nominal diameters DN 15 ... 100 (1/2" ... 4").
- Increased burst pressures up to 150 bar (2175 psi), possible for nominal diameters DN 15 ... 80 (1/2" ... 3").
- Flushing connections are available on request.

Pressure Equipment Directive

Conformity assessment according to Category III, fluid group 1, gas

Note the corrosion resistance of the meter tube materials in relation to the measuring medium.

Installation lengths in accordance with NAMUR standards

The CoriolisMaster FCB130, FCB150, FCH130, FCH150 is the ideal device for use in accordance with NAMUR standards.

While also conforming to other standards, the device can be ordered with installation lengths in accordance with NAMUR standards. The corresponding ordering option is S5.

The exact lengths can be found in the tables in the chapter entitled "Devices DN 15 ... 150 in NAMUR standard installation lengths" on page 28.

Materials for the transmitter terminal box

Housing

- Aluminum EN AC-44200 (YL104)
- or
- Stainless steel 1.4409 (ASTM CF3M)

Housing color

- Center section: RAL 7012
- Cover: RAL 9002

Varnish layer thickness: 80 ... 120 µm

Materials for flowmeter sensors

Wetted parts

Stainless steel

- 1.4404 (AISI 316L)

Stainless steel, polished

- 1.4404 (AISI 316L) or 1.4435 (AISI 316L) certified to EHEDG with flowmeter sensor material (AISI 316L)

- Nickel-Alloy C4¹⁾ (2.4610) oder Nickel-Alloy C22¹⁾ (2.4602)

Optional: Manufacture in accordance with NACE MR0175 and MR0103 (ISO 15156)

Housing²⁾

Stainless steel 1.4404 (AISI 316L), 1.4301 (AISI 304), 1.4308 (ASTM CF8)

- 1) Hastelloy C is a registered trademark of Haynes International. Nickel-Alloy C4 and C22 is equal to Hastelloy C4 and Hastelloy C22.
- 2) If the sensor wetted parts are Nickel-Alloy based, parts of the sensor housing are Nickel-Alloy based too.

Material load for process connections

Design	Nominal diameter	PS _{max}	TS _{max}	TS _{min}
Threaded pipe connection (DIN 11851)	DN 15 ... 40 (1/2 ... 1 1/2")	40 bar (580 psi)	140 °C (284 °F)	-40 °C (-40 °F)
	DN 50 ... 100 (2 ... 4")	25 bar (363 psi)	140 °C (284 °F)	-40 °C (-40 °F)
Tri-Clamp (DIN 32676)	DN 15 ... 50 (1/2 ... 2")	16 bar (232 psi)	120 °C (248 °F)	-40 °C (-40 °F)
	DN 65 ... 100 (2 1/2 ... 4")	10 bar (145 psi)	120 °C (248 °F)	-40 °C (-40 °F)

Material load curves for flange devices

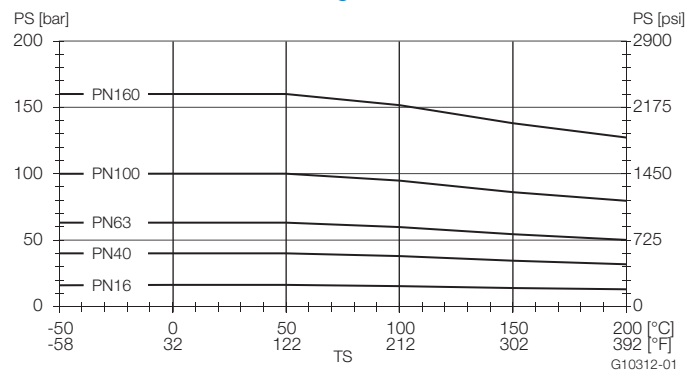


Fig. 13: Stainless steel DIN flange 1.4571 / 1.4404 (316Ti / 316L) up to DN 200 (8")

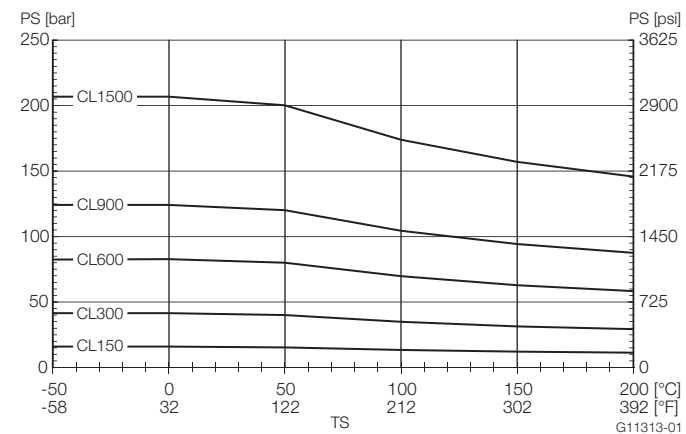


Fig. 14: Stainless steel ASME flange 1.4571 / 1.4404 (316Ti / 316L) up to DN 200 (8")

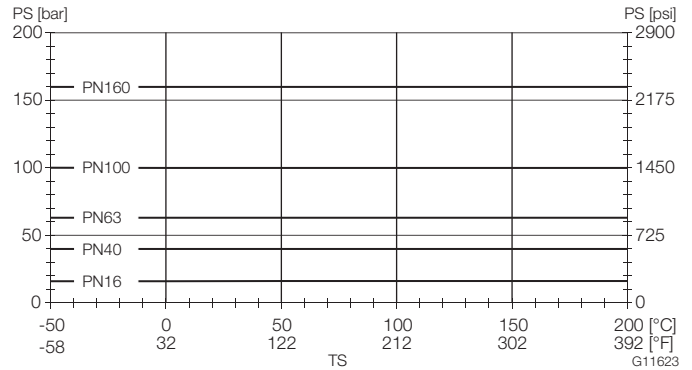


Fig. 15: DIN flange Nickel-Alloy C4 (2.4610) or Nickel-Alloy C22 up to DN 200 (8")

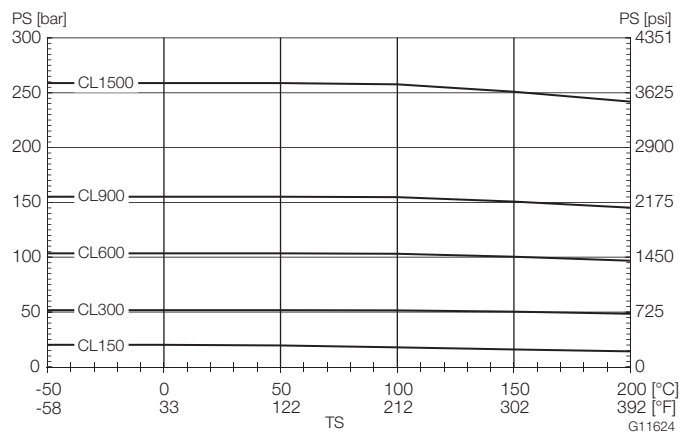


Fig. 16: ASME flange Nickel-Alloy C4 (2.4610) or Nickel-Alloy C22 up to DN 200 (8")

CoriolisMaster FCB130, FCB150, FCH130, FCH150

Coriolis mass flowmeter

Electrical connections

Models FCB130, FCB150, FCH130 and FCH150

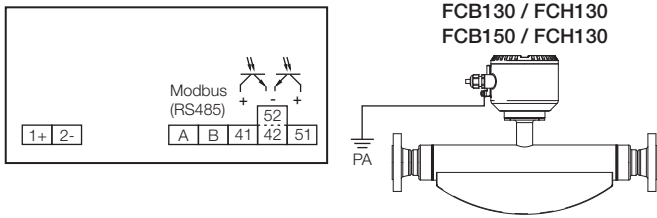


Fig. 17: Electrical connection
PA = Potential equalization

Connections for the power supply

DC voltage supply	
Terminal	Function / comments
1+	+
2-	-

Connections for the outputs

Terminal	Function / comments
A / B	Modbus RTU (RS485)
41 / 42	Passive digital output DO1 The output can be configured as a pulse output, frequency output or switch output.
51 / 52	Passive digital output DO2 The output can be configured as a pulse output or switch output.

Electrical data for inputs and outputs

NOTE

When using the device in potentially explosive atmospheres, note the additional connection information in the chapters entitled "Use in potentially explosive atmospheres according to ATEX and IECEx" on page 40 and "Use in potentially explosive atmospheres in accordance with cFMus" on page 46!

Power supply

Supply voltage	11 ... 30 V DC (ripple: $\leq 5\%$)
Power consumption	$S \leq 5$ VA

Digital output 41 / 42, 51 / 52

Can be configured via Modbus.

i NOTE

- Digital output 51 / 52 **cannot** be configured as a frequency output.
- Terminals 42 / 52 have the same potential. Digital outputs 41 / 42 and 51 / 52 are not electrically isolated from each other.
- If you are using a mechanical counter, we recommend setting a pulse width of ≥ 30 ms and a maximum frequency of $f_{max} \leq 3$ kHz.

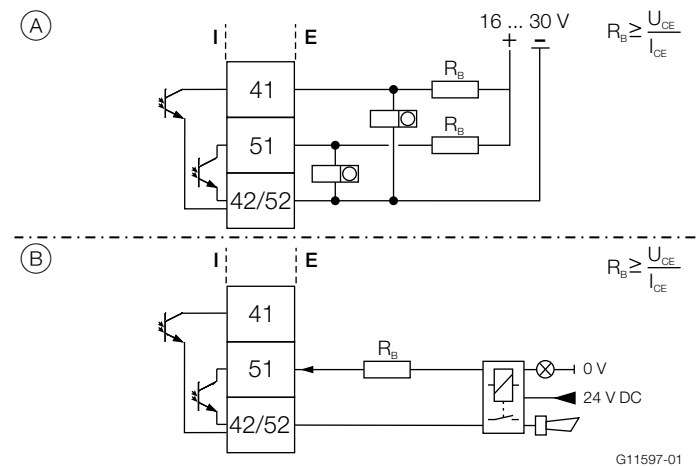


Fig. 18: Passive digital outputs (I = internal, E = external)

- (A) Passive digital output 41 / 42 as pulse or frequency output,
Passive digital output 51 / 52 as pulse output
- (B) Passive digital output 51 / 52 as binary output

Pulse / frequency output (passive)	
Terminals	41 / 42 (pulse / frequency output) 51 / 52 (pulse output)
Output "closed"	$0\text{ V} \leq U_{CEL} \leq 3\text{ V}$ For $f < 2.5\text{ kHz}$: $2\text{ mA} < I_{CEL} < 30\text{ mA}$ For $f > 2.5\text{ kHz}$: $10\text{ mA} < I_{CEL} < 30\text{ mA}$
Output "open"	$16\text{ V} \leq U_{CEH} \leq 30\text{ V DC}$ $0\text{ mA} \leq I_{CEH} \leq 0.2\text{ mA}$
f_{\max}	10.5 kHz
Pulse width	0.1 ... 2000 ms

Binary output (passive)	
Terminals	41 / 42, 51 / 52
Output "closed"	$0\text{ V} \leq U_{CEL} \leq 3\text{ V}$ $2\text{ mA} \leq I_{CEL} \leq 30\text{ mA}$
Output "open"	$16\text{ V} \leq U_{CEH} \leq 30\text{ V DC}$ $0\text{ mA} \leq I_{CEH} \leq 0.2\text{ mA}$
Switching function	Can be configured via Modbus. "Electrical data for inputs and outputs" on page 16

When connecting the devices, note the voltage drop on the cable. The operating voltage on the device must not be less than 11 V.

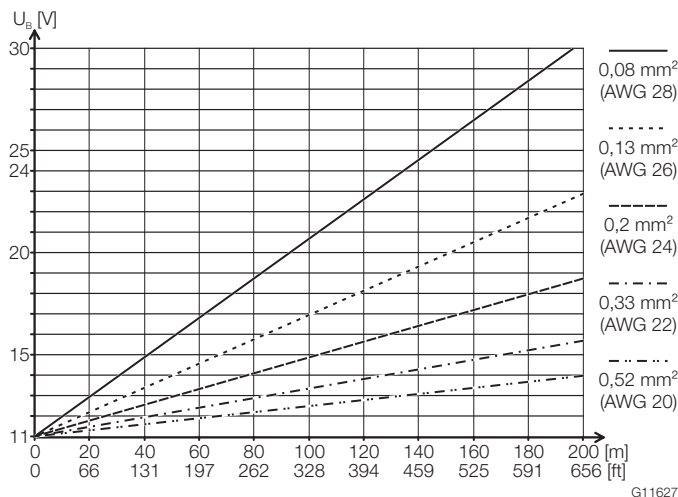
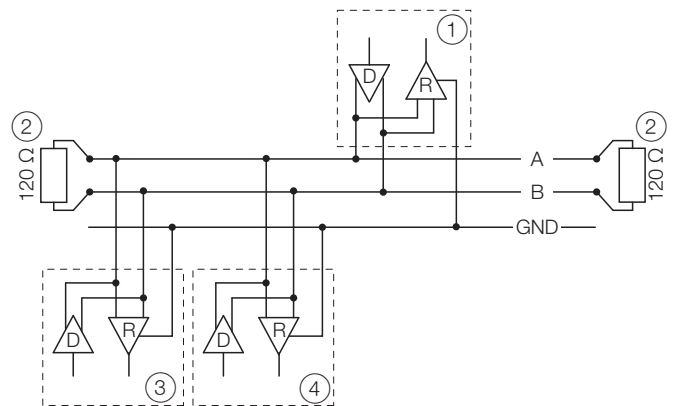


Fig. 19: Maximum cable lengths (examples)
 U_B = supply voltage, L = cable length

Modbus protocol

Modbus is an open standard owned and administrated by an independent group of device manufacturers styled the Modbus Organization (www.modbus.org). Using the Modbus protocol allows devices made by different manufacturers to exchange information via the same communication bus, without the need for any special interface devices to be used.



G11603

Fig. 20: Communication via the Modbus protocol

- ① Modbus master
- ② Terminating resistor
- ③ Modbus slave 1
- ④ Modbus slave n ... 32

Modbus protocol	
Configuration	Via the Modbus interface or via the local operating interface in connection with Asset Vision Basic (DAT200) and a corresponding Device Type Manager (DTM)
Transmission	Modbus RTU - RS485 serial connection
Baud rate	2400, 4800, 9600, 19,200, 38,400, 56,000, 57,600, 115,200 baud Factory setting: 9,600 baud
Parity	None, even, odd Factory setting: odd
Stop bit	One, two Factory setting: One
IEEE format	Little endian, big endian Factory setting: Little endian
Typical response time	< 100 ms
Response delay time	0 ... 200 milliseconds Factory setting: 10 milliseconds

CoriolisMaster FCB130, FCB150, FCH130, FCH150

Coriolis mass flowmeter

Cable specification

The maximum permissible length is dependent on the baud rate, the cable (diameter, capacity and surge impedance), the number of loads in the device chain, and the network configuration (2--core or 4-core).

- At a baud rate of 9600 and with a conductor cross section of at least 0.14 mm² (AWG 26), the maximum length is 1000 m (3280 ft).
- When using a 4-core cable as a 2-wire wiring system, the maximum length must be halved.
- The spur lines must be short (maximum of 20 m [66 ft]).
- When using a distributor with n connections, each branch must have a maximum length of 40 m (131 ft) divided by n.

The maximum cable length depends on the type of cable used. The following standard values apply:

- Up to 6 m (20 ft): cable with standard shielding or twisted-pair cable.
- Up to 300 m (984 ft): double twisted-pair cable with overall foil shielding and integrated earth cable.
- Up to 1200 m (3937 ft): double twisted-pair cable with individual foil shielding and integrated earth cables.
Example: Belden 9729 or equivalent cable.

A category 5 cable can be used for Modbus RS485 up to a maximum length of 600 m (1968 ft). For the symmetrical pairs in RS485 systems, a surge impedance of more than 100 Ω is preferred, especially at a baud rate of 19,200 and above.

Dimensions

Meter tube inside diameter

Inner diameters of the meter tubes of Coriolis mass flowmeter CoriolisMaster FCB130, FCB150, FCH130, FCH150.

Nominal diameter	Inner diameter of the meter tube
DN 15 (1/2")	2 x 8 mm (2 x 0,31 inch)
DN 25 (1")	2 x 16 mm (2 x 0,63 inch)
DN 50 (2")	2 x 23,7 mm (2 x 0,93 inch)
DN 80 (3")	2 x 36,62 mm (2 x 1,44 inch)
DN 100 (4")	2 x 52,51 mm (2 x 2,07 inch)
DN 150 (6")	2 x 68,9 mm (2 x 2,71 inch)

Devices with meter tube nominal diameter DN 15 ... 50 and flange DN 10 ... 65

All specified dimensions and weights are in mm (inch) or kg (lb).

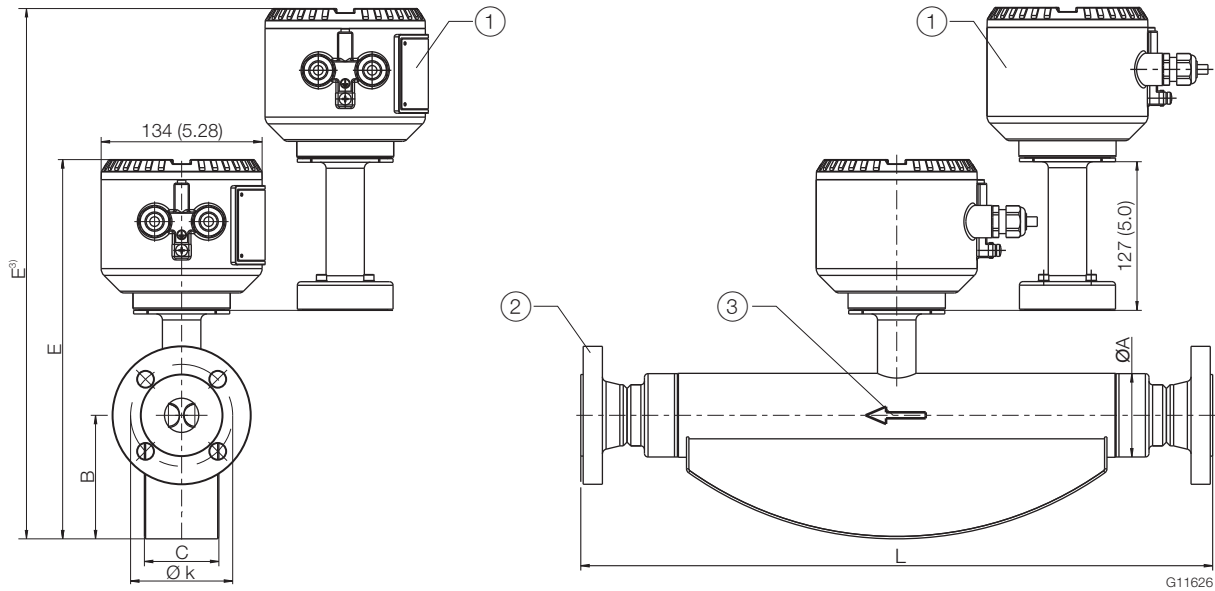


Fig. 21

① Option "Extended tower length" or option "Pressure Rating of Sensor Secondary Containment" ② Flange in accordance with EN 1092-1, ASME B16.5, ISO 7005 (connection dimensions for ASME flanges in accordance with ASME B16.5 (ANSI)) ③ Flow direction

Sensor with wetted materials made from stainless steel								Approx. weight	
Dimensions for sensors featuring meter tubes with nominal diameter DN 15 (1/2")									
DN / process connection		L	Ø k	Ø A	B	C	E	Aluminum ¹⁾	Stainless steel ²⁾
10 (3/8)	PN 40 (EN 1092-1)	385 (15.2)	60 (2.4)	44.5 (1.8)	77 (3.0)	46 (1.8)	278 / 405 ³⁾ (10.9 / 15.9 ³⁾)	9 / 10 ³⁾ (19.8 / 22 ³⁾)	12 / 13 ³⁾ (26.5 / 28.7 ³⁾)
	JIS 10K	385 (15.2)	65 (2.6)						
15 (1/2)	PN 40 (EN 1092-1)	385 (15.2)	65 (2.6)	44.5 (1.8)	77 (3.0)	46 (1.8)	278 / 405 ³⁾ (10.9 / 15.9 ³⁾)	9 / 10 ³⁾ (19.8 / 22 ³⁾)	12 / 13 ³⁾ (26.5 / 28.7 ³⁾)
	PN 63 (EN 1092-1)	403 (15.9)	75 (3.0)						
	PN 100 (EN 1092-1)								
	CL150 (ASME B16.5)	435 (17.1)	60.5 (2.4)						
	CL300 (ASME B16.5)	421 (16.6)	66.7 (2.6)						
	CL600 (ASME B16.5)								
	CL900 (ASME B16.5)	421 (16.6)	82.6 (3.3)						
	CL1500 (ASME B16.5)								
JIS 10K	385 (15.2)	70 (2.8)							
20 (3/4)	PN 40 (EN 1092-1)	421 (16.6)	75 (3.0)	44.5 (1.8)	77 (3.0)	46 (1.8)	278 / 405 ³⁾ (10.9 / 15.9 ³⁾)	9 / 10 ³⁾ (19.8 / 22 ³⁾)	12 / 13 ³⁾ (26.5 / 28.7 ³⁾)
	CL150 (ASME B16.5)	421 (16.6)	69.9 (2.8)						
	JIS 10K	421 (16.6)	75 (3.0)						

CoriolisMaster FCB130, FCB150, FCH130, FCH150

Coriolis mass flowmeter

Sensor with wetted materials made from stainless steel									
Dimensions for sensors featuring meter tubes with nominal diameter DN 25 (1")								Approx. weight	
DN / process connection		L	Ø k	Ø A	B	C	E	Aluminum ¹⁾	Stainless steel ²⁾
20 (3/4)	PN 40 (EN 1092-1)	576 (22.7)	75 (3.0)	69.5 (2.74)	103 (4.06)	62 (2.44)	317 / 444 ³⁾ (12.5 / 17.5 ³⁾)	11 / 12 ³⁾ (24,3 / 26.5 ³⁾)	14 / 15 ³⁾ (30.9 / 33.1 ³⁾)
	CL150 (ASME B16.5)	575 (22.6)	69.9 (2.8)						
	JIS 10K	576 (22.7)	75 (3.0)						
25 (1)	PN 40 (EN 1092-1)	525 (20.7)	85 (3.3)						
	PN 63 (EN 1092-1)	564 (22.2)	100 (3.9)						
	PN 100 (EN 1092-1)								
	CL150 (ASME B16.5)	575 (22.6)	79.2 (3.1)						
	CL300 (ASME B16.5)	576 (22.7)	88.9 (3.5)						
	CL600 (ASME B16.5)								
	CL900 (ASME B16.5)	576 (22.7)	82.6 (3.25)						
	CL1500 (ASME B16.5)								
JIS 10K	525 (20.7)	90 (3.54)							
40 (1 1/2)	PN 40 (EN 1092-1)	576 (22.7)	110 (4.33)						
	PN 63 (EN 1092-1)	572 (22.5)	125 (4.92)						
	PN 100 (EN 1092-1)								
	CL150 (ASME B16.5)	576 (22.7)	98.6 (3.88)						
	CL300 (ASME B16.5)	576 (22.7)	114.3 (45.0)						
	CL600 (ASME B16.5)								
JIS 10K	576 (22.7)	105 (4.13)							

1) Devices with terminal boxes made from aluminum.

2) Devices with terminal boxes made from stainless steel.

3) Devices with option "Extended tower length" or option "Pressure Rating of Sensor Secondary Containment".

Tolerance for dimension L: +0 / -3 mm (+0 / -0.018 inch)

Sensor with wetted materials made from stainless steel

Dimensions for sensors featuring meter tubes with nominal diameter DN 50 (2")								Approx. weight	
DN / process connection		L	Ø k	Ø A	B	C	E	Aluminum ¹⁾	Stainless steel ²⁾
40 (1 1/2)	PN 40 (EN 1092-1)	763 (30)	110 (4.33)	99 (3.9)	125 (4.92)	80 (3.15)	354 / 481 ³⁾ (13.94 / 18.94 ³⁾)	27 / 28 ³⁾ (59,5 / 61,7 ³⁾)	30 / 31 ³⁾ (66,1 / 68,3 ³⁾)
	PN 63 (EN 1092-1)	745 (29.33)	125 (4.92)						
	PN 100 (EN 1092-1)								
	CL150 (ASME B16.5)	763 (30)	98.6 (3.88)						
	CL300 (ASME B16.5)	756 (29.76)	114.3 (4.5)						
	CL600 (ASME B16.5)								
	CL900 (ASME B16.5)	780 (30.71)	124 (4.88)						
	CL1500 (ASME B16.5)								
JIS 10K	763 (30)	105 (4.13)							
50 (2)	PN 40 (EN 1092-1)	715 (28.15)	125 (4.92)						
	PN 63 (EN 1092-1)	745 (29.3)	135 (5.31)						
	PN 100 (EN 1092-1)	745 (29.3)	145 (5.71)						
	CL150 (ASME B16.5)	715 (28.15)	120.7 (4.75)						
	CL300 (ASME B16.5)	763 (30)	127 (5.0)						
	CL600 (ASME B16.5)	773 (30.43)	127 (5.0)						
	CL900 (ASME B16.5)	790 (31.1)	165.1 (6.5)						
	CL1500 (ASME B16.5)								
	JIS 10K	715 (28.15)	120 (4.72)						
65 (2 1/2)	PN 40 (EN 1092-1)	763 (30)	145 (5.71)						
	CL150 (ASME B16.5)	756 (29.8)	139.7 (5.5)						
	CL900 (ASME B16.5)	800 (31.5)	190.5 (7.5)						
	CL1500 (ASME B16.5)								
	JIS 10K	763 (30)	140 (5.51)						

1) Devices with terminal boxes made from aluminum.

2) Devices with terminal boxes made from stainless steel.

3) Devices with option TE1 "extended tower length" or option PR4 / PR5 / PR6 / PR7 "pressure-resistant sensor housing".

Tolerance for dimension L: +0 / -3 mm (+0 / -0.018 inch)

CoriolisMaster FCB130, FCB150, FCH130, FCH150

Coriolis mass flowmeter

Devices with meter tube nominal diameter DN 80 and flange DN 65 ... 100

All specified dimensions and weights are in mm (inch) or kg (lb).

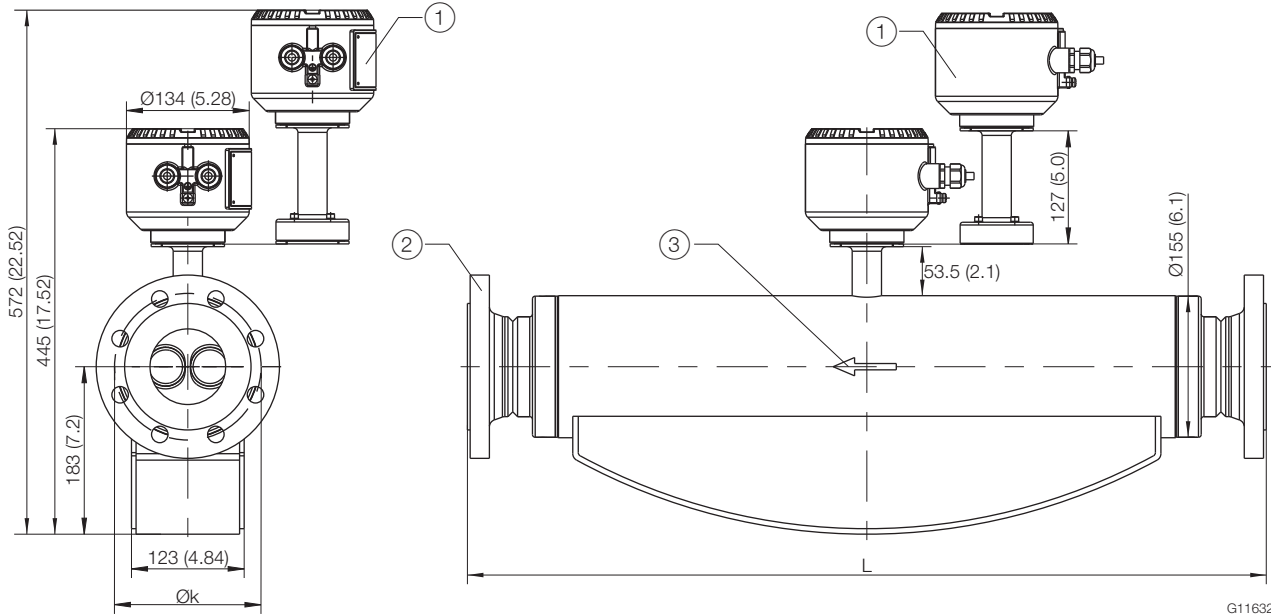


Fig. 22
 ① Option "Extended tower length" or option "Pressure Rating of Sensor Secondary Containment" ② Flange in accordance with EN 1092-1, ASME B16.5, ISO 7005 (connection dimensions for ASME flanges in accordance with ASME B16.5 (ANSI)) ③ Flow direction

Sensor with wetted materials made from stainless steel					
Dimensions for sensors featuring meter tubes with nominal diameter DN 80 (3")				Approx. weight	
DN / process connection		L	$\varnothing k$	Aluminum ¹⁾	Stainless steel ²⁾
65 (2 1/2")	PN 16 (EN 1092-1)	— ⁴⁾	— ⁴⁾	— ⁴⁾	— ⁴⁾
	PN 40 (EN 1092-1)	910 (35.83)	145 (5.71)	70 / 71 ³⁾ (154.3 / 156.5 ³⁾)	73 / 74 ³⁾ (160.9 / 163.1 ³⁾)
	PN 63 (EN 1092-1)		160 (6.30)	74 / 75 ³⁾ (163.1 / 165.4 ³⁾)	77 / 78 ³⁾ (169.8 / 172.0 ³⁾)
	PN 100 (EN 1092-1)		170 (6.69)	78 / 79 ³⁾ (172 / 174.2 ³⁾)	81 / 82 ³⁾ (178.6 / 180.8 ³⁾)
	CL150 (ASME B16.5)	— ⁴⁾	— ⁴⁾	— ⁴⁾	— ⁴⁾
	CL300 (ASME B16.5)	920 (36.22)	149.4 (5.88)	72 / 73 ³⁾ (158.7 / 160.9 ³⁾)	75 / 76 ³⁾ (163.1 / 167.6 ³⁾)
	CL600 (ASME B16.5)			73 / 74 ³⁾ (160.9 / 163.1 ³⁾)	76 / 77 ³⁾ (167.6 / 169.8 ³⁾)
	CL900 (ASME B16.5)	965 (37.99)	190.5 (7.50)	90 / 91 ³⁾ (198.4 / 200.6 ³⁾)	93 / 94 ³⁾ (205.3 / 207.23 ³⁾)
	CL1500 (ASME B16.5)				
JIS 10K	910 (35.83)	140 (5.5)	70 / 71 ³⁾ (154.3 / 156.5 ³⁾)	73 / 74 ³⁾ (160.9 / 163.1 ³⁾)	

- 1) Devices with terminal boxes made from aluminum.
- 2) Devices with terminal boxes made from stainless steel.
- 3) Devices with option "Extended tower length" or option "Pressure Rating of Sensor Secondary Containment".
- 4) On request

Tolerance for dimension L: +0 / -3 mm (+0 / -0.018 inch)

Sensor with wetted materials made from stainless steel

Dimensions for sensors featuring meter tubes with nominal diameter DN 80 (3")				Approx. weight	
DN / process connection	L	Ø k	Aluminum ¹⁾	Stainless steel ²⁾	
80 (3")	PN 16 (EN 1092-1)	870 (34.25)	160 (6.30)	70 / 71 ³⁾ (154.3 / 156.5 ³⁾)	
	PN 40 (EN 1092-1)			73 / 74 ³⁾ (160.9 / 163.1 ³⁾)	
	PN 63 (EN 1092-1)	910 (35.83)	170 (6.69)	74 / 75 ³⁾ (163.1 / 165.4 ³⁾)	
	PN 100 (EN 1092-1)		180 (7.09)	78 / 79 ³⁾ (172.0 / 174.2 ³⁾)	
	CL150 (ASME B16.5)	880 (34.65)	152.4 (6.00)	81 / 82 ³⁾ (178.6 / 180.8 ³⁾)	
	CL300 (ASME B16.5)	895 (35.24)	168.1 (6.62)	71 / 72 ³⁾ (156.5 / 158.7 ³⁾)	
	CL600 (ASME B16.5)	920 (36.22)		75 / 76 ³⁾ (163.1 / 167.6 ³⁾)	
	CL900 (ASME B16.5)	1100 (43.31)	190.5 (7.50)	78 / 79 ³⁾ (172.0 / 174.2 ³⁾)	
	CL1500 (ASME B16.5)	1300 (51.18)	203.2 (8.00)	84 / 85 ³⁾ (185.2 / 187.4 ³⁾)	
	JIS 10K	870 (34.25)	150 (5.91)	90 / 91 ³⁾ (198.4 / 200.6 ³⁾)	
100 (4")	PN 16 (EN 1092-1)	875 (34.45)	180 (7.09)	71 / 72 ³⁾ (156.5 / 158.7 ³⁾)	
	PN 40 (EN 1092-1)		190 (7.48)	74 / 75 ³⁾ (163 / 165.3 ³⁾)	
	PN 63 (EN 1092-1)	1060 (41.73)	200 (7.87)	72 / 73 ³⁾ (158.7 / 160.94 ³⁾)	
	PN 100 (EN 1092-1)	1080 (42.52)	210 (8.27)	82 / 83 ³⁾ (180.8 / 183.0 ³⁾)	
	CL150 (ASME B16.5)	880 (34.65)	190.5 (7.50)	85 / 86 ³⁾ (187.4 / 189.6 ³⁾)	
	CL300 (ASME B16.5)	1075 (42.32)	200.2 (7.88)	90 / 91 ³⁾ (198.4 / 200.6 ³⁾)	
	CL600 (ASME B16.5)	1100 (43.31)	215.9 (8.50)	93 / 94 ³⁾ (205.3 / 207.23 ³⁾)	
	CL900 (ASME B16.5)	1130 (44.49)	234.9 (9.25)	73 / 74 ³⁾ (160.9 / 163.1 ³⁾)	
	CL1500 (ASME B16.5)	1150 (45.28)	241.3 (9.50)	76 / 77 ³⁾ (167.6 / 169.8 ³⁾)	
	JIS 10K	1060 (41.7)	175 (6.9)	87 / 88 ³⁾ (191.8 / 194.0 ³⁾)	
			97 / 98 ³⁾ (213.9 / 216.1 ³⁾)		
			100 / 101 ³⁾ (220.5 / 222.7 ³⁾)		
			107 / 108 ³⁾ (235.9 / 238.1 ³⁾)		
			110 / 111 ³⁾ (242.5 / 244.7 ³⁾)		
			122 / 123 ³⁾ (269.0 / 271.2 ³⁾)		
			125 / 126 ³⁾ (275.6 / 277.8 ³⁾)		
			82 / 83 ³⁾ (180.8 / 183.0 ³⁾)		
			85 / 86 ³⁾ (187.4 / 189.6 ³⁾)		

1) Devices with terminal boxes made from aluminum.

2) Devices with terminal boxes made from stainless steel.

3) Devices with option "Extended tower length" or option "Pressure Rating of Sensor Secondary Containment".

4) On request

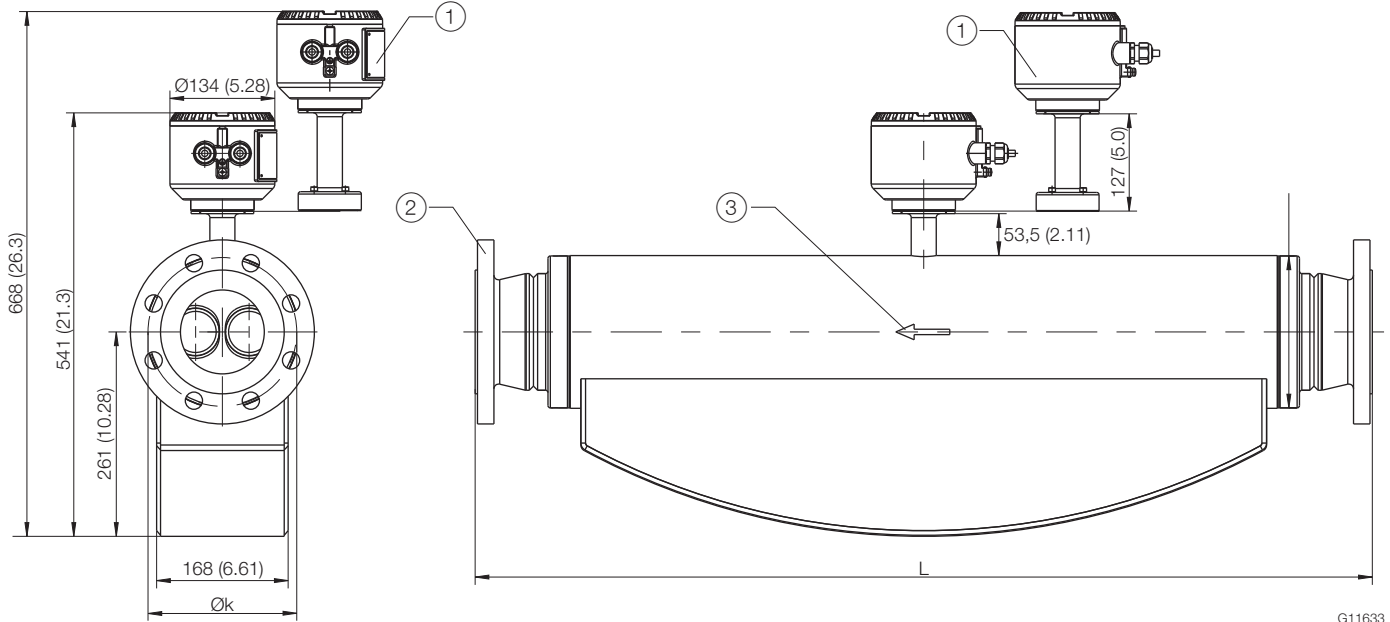
Tolerance for dimension L: +0 / -3 mm (+0 / -0.018 inch)

CoriolisMaster FCB130, FCB150, FCH130, FCH150

Coriolis mass flowmeter

Devices with meter tube nominal diameter DN 100 and flange DN 80 ... 100

All specified dimensions and weights are in mm (inch) or kg (lb).



G11633

Fig. 23
 ① Option "Extended tower length" or option "Pressure Rating of Sensor Secondary Containment" ② Flange in accordance with EN 1092-1, ASME B16.5, ISO 7005 (connection dimensions for ASME flanges in accordance with ASME B16.5 (ANSI)) ③ Flow direction

Sensor with wetted materials made from stainless steel

Dimensions for sensors featuring meter tubes with nominal diameter DN 100 (4")			Approx. weight	
DN / process connection	L	Ø k	Aluminum ¹⁾	Stainless steel ²⁾
80 (3")	PN 16 (EN 1092-1)	1222 (48.11)	122 / 123 ³⁾ (269 / 271 ³⁾)	124 / 126 ³⁾ (273 / 278 ³⁾)
	PN 40 (EN 1092-1)			
	PN 63 (EN 1092-1)	1234 (48.58)	127 / 128 ³⁾ (280 / 282 ³⁾)	129 / 130 ³⁾ (284 / 287 ³⁾)
	PN 100 (EN 1092-1)		129 / 130 ³⁾ (284 / 287 ³⁾)	131 / 132 ³⁾ (289 / 291 ³⁾)
	CL150 (ASME B16.5)	1244 (48.98)	124 / 125 ³⁾ (273 / 276 ³⁾)	126 / 127 ³⁾ (278 / 280 ³⁾)
	CL300 (ASME B16.5)		132 / 133 ³⁾ (291 / 293 ³⁾)	134 / 135 ³⁾ (295 / 298 ³⁾)
	CL600 (ASME B16.5)		135 / 136 ³⁾ (298 / 300 ³⁾)	137 / 138 ³⁾ (302 / 304 ³⁾)
	CL900 (ASME B16.5)	1470 (57.87)	138 / 139 ³⁾ (304 / 306 ³⁾)	140 / 141 ³⁾ (307 / 311 ³⁾)
	CL1500 (ASME B16.5)	1500 (59.05)	150 / 151 ³⁾ (331 / 335 ³⁾)	152 / 153 ³⁾ (355 / 337 ³⁾)
JIS 10K	1275 (50.20)	119 / 120 ³⁾ (262 / 265 ³⁾)	122 / 123 ³⁾ (269 / 271 ³⁾)	

Sensor with wetted materials made from stainless steel

Dimensions for sensors featuring meter tubes with nominal diameter DN 100 (4")				Approx. weight		
DN / process connection	L	Ø k	Aluminum ¹⁾	Stainless steel ²⁾		
100 (4")	PN 16 (EN 1092-1)	1122 (44.17)	180 (7.09)	119 / 120 ³⁾ (262 / 265 ³⁾)	122 / 123 ³⁾ (269 / 271 ³⁾)	
	PN 40 (EN 1092-1)	1144 (45.04)	190 (7.48)	122 / 123 ³⁾ (269 / 271 ³⁾)	125 / 126 ³⁾ (276 / 278 ³⁾)	
	PN 63 (EN 1092-1)	1304 (51.34)	138 (5.43)	129 / 130 ³⁾ (248 / 287 ³⁾)	132 / 133 ³⁾ (291 / 293 ³⁾)	
	PN 100 (EN 1092-1)	1334 (52.52)	150 (5.91)	137 / 138 ³⁾ (302 / 304 ³⁾)	140 / 141 ³⁾ (309 / 311 ³⁾)	
	CL150 (ASME B16.5)	1144 (45.04)	190.5 (7.50)	123 / 124 ³⁾ (271 / 273 ³⁾)	126 / 127 ³⁾ (278 / 280 ³⁾)	
	CL300 (ASME B16.5)	1324 (52.13)	200.2 (7.88)	135 / 136 ³⁾ (298 / 300 ³⁾)	138 / 139 ³⁾ (304 / 306 ³⁾)	
	CL600 (ASME B16.5)	1354 (53.31)	215.9 (8.50)	137 / 138 ³⁾ (302 / 304 ³⁾)	140 / 141 ³⁾ (309 / 311 ³⁾)	
	CL900 (ASME B16.5)	1380 (54.33)	234.9 (9.25)	157 / 158 ³⁾ (346 / 348 ³⁾)	159 / 160 (350 / 353 ³⁾)	
	CL1500 (ASME B16.5)	1400 (55.12)	241.3 (9.50)	171 / 172 ³⁾ (377 / 379 ³⁾)	173 / 174 ³⁾ (381 / 384 ³⁾)	
	JIS 10K	1150 (45.28)	175 (6.89)	122 / 123 ³⁾ (269 / 271 ³⁾)	125 / 126 ³⁾ (276 / 278 ³⁾)	
150 (6")	PN 16 (EN 1092-1)	1300 (51.18)	240 (9.44)	128 / 129 ³⁾ (282 / 284 ³⁾)	130 / 131 ³⁾ (287 / 289 ³⁾)	
	CL150 (ASME B16.5)	1330 (52.36)	241.3 (9.50)	133 / 134 ³⁾ (293 / 295 ³⁾)	136 / 137 ³⁾ (300 / 302 ³⁾)	
	JIS 10K	1300 (51.18)	240 (9.44)	126 / 127 ³⁾ (278 / 280 ³⁾)	129 / 130 ³⁾ (284 / 287 ³⁾)	

1) Devices with terminal boxes made from aluminum.

2) Devices with terminal boxes made from stainless steel.

3) Devices with option "Extended tower length" or option "Pressure Rating of Sensor Secondary Containment".

Tolerance for dimension L: +0 / -3 mm (+0 / -0.018 inch)

CoriolisMaster FCB130, FCB150, FCH130, FCH150

Coriolis mass flowmeter

Devices with meter tube nominal diameter DN 150 and flange DN 100 ... DN 200

All specified dimensions and weights are in mm (inch) or kg (lb).

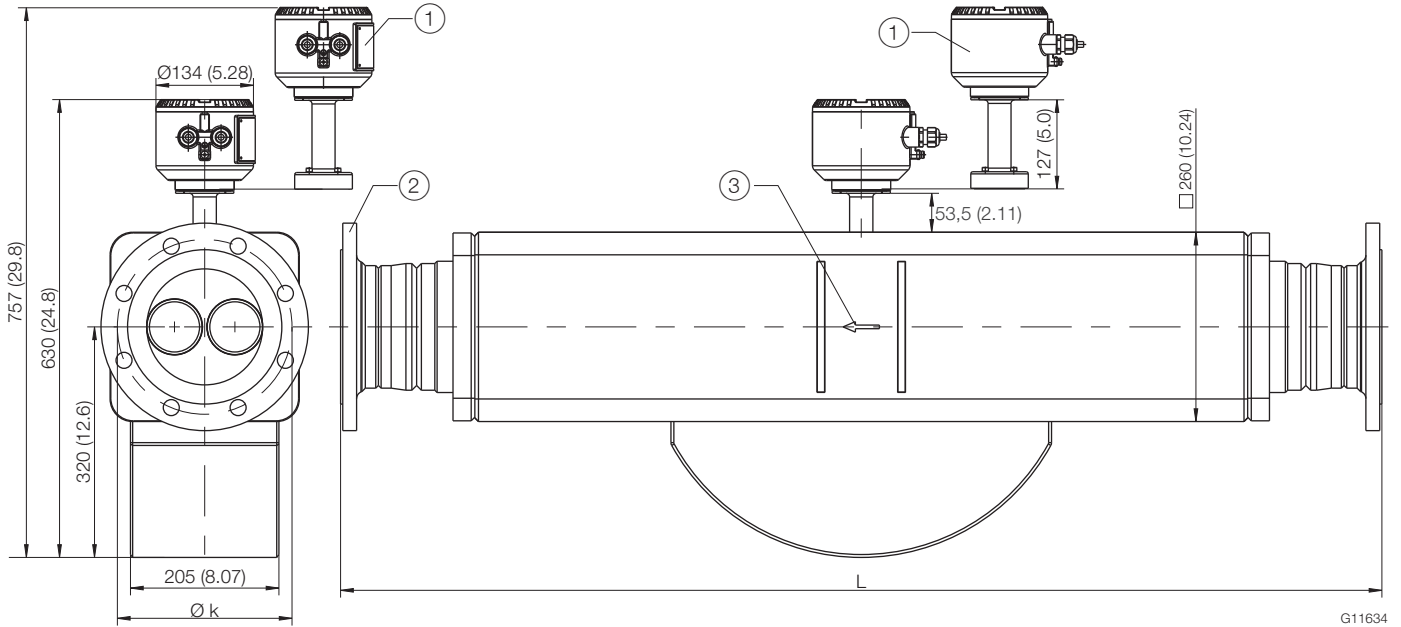


Fig. 24
 ① Option "Extended tower length" or option "Pressure Rating of Sensor Secondary Containment" ② Flange in accordance with EN 1092-1, ASME B16.5, ISO 7005 (connection dimensions for ASME flanges in accordance with ASME B16.5 (ANSI)) ③ Flow direction

Sensor with wetted materials made from stainless steel

Dimensions for sensors featuring meter tubes with nominal diameter DN 150 (6")

Approx. weight

DN / process connection		L	$\varnothing k$	Aluminum ¹⁾	Stainless steel ²⁾
100 (4")	PN 16 (EN 1092-1)	1569 (61.77)	180 (7.09)	171 / 172 ³⁾ (377 / 379 ³⁾)	174 / 175 ³⁾ (384 / 386 ³⁾)
	PN 40 (EN 1092-1)	1599 (62.95)	190 (7.48)	175 / 176 ³⁾ (386 / 388 ³⁾)	178 / 179 ³⁾ (392 / 395 ³⁾)

1) Devices with transmitter housing made from aluminum.

2) Devices with transmitter housing made from stainless steel.

3) Devices with option "Extended tower length" or option "Pressure Rating of Sensor Secondary Containment".

Tolerance for dimension L: +0 / -5 mm (+0 / -0.2 inch)

Sensor with wetted materials made from stainless steel

Dimensions for sensors featuring meter tubes with nominal diameter DN 150 (6")				Approx. weight		
DN / process connection	L	Ø k	Aluminum ¹⁾	Stainless steel ²⁾		
150 (6")	PN 16 (EN 1092-1)	1421 (55.94)	240 (9.45)	174 / 175 ³⁾ (384 / 386 ³⁾	177 / 178 ³⁾ (390 / 392 ³⁾	
	PN 40 (EN 1092-1)	1461 (57.52)	250 (9.84)	182 / 183 ³⁾ (401 / 403 ³⁾	185 / 186 ³⁾ (407 / 410 ³⁾	
	CL150 (ASME B16.5)	1485 (58.46)	241.3 (9.50)	181 / 182 ³⁾ (399 / 401 ³⁾	184 / 185 ³⁾ (405 / 408 ³⁾	
	CL300 (ASME B16.5)	1505 (59.25)	269.7 (10.62)	199 / 200 ³⁾ (439 / 441 ³⁾	202 / 203 ³⁾ (455 / 448 ³⁾	
	CL600 (ASME B16.5)	1555 (61.22)	292.1 (11.50)	221 / 222 ³⁾ (487 / 489 ³⁾	224 / 225 ³⁾ (494 / 496 ³⁾	
	CL900 (ASME B16.5)	1605 (63.19)	317.5 (12.5)	245 / 246 ³⁾ (540 / 542 ³⁾	248 / 249 ³⁾ (547 / 549 ³⁾	
	CL1500 (ASME B16.5)	1665 (65.55)		287 / 288 ³⁾ (633 / 635 ³⁾	290 / 291 ³⁾ (639 / 642 ³⁾	
200 (8")	PN 40 (EN 1092-1)	1637 (64.45)	320 (12.6)	206 / 207 ³⁾ (454 / 456 ³⁾	208 / 209 ³⁾ (459 / 461 ³⁾	
	CL150 (ASME B16.5)	1650 (64.96)	298.5 (11.75)	201 / 202 ³⁾ (443 / 445 ³⁾	203 / 204 ³⁾ (448 / 450 ³⁾	
	CL300 (ASME B16.5)	1670 (65.75)	330.2 (13.0)	225 / 226 ³⁾ (496 / 498 ³⁾	228 / 229 ³⁾ (503 / 505 ³⁾	

1) Devices with transmitter housing made from aluminum.

2) Devices with transmitter housing made from stainless steel.

3) Devices with option "Extended tower length" or option "Pressure Rating of Sensor Secondary Containment".

Tolerance for dimension L: +0 / -5 mm (+0 / -0.2 inch)

CoriolisMaster FCB130, FCB150, FCH130, FCH150

Coriolis mass flowmeter

Devices DN 15 ... 150 in NAMUR standard installation lengths (order option S5, S7)

All specified dimensions and weights are in mm (inch) or kg (lb).

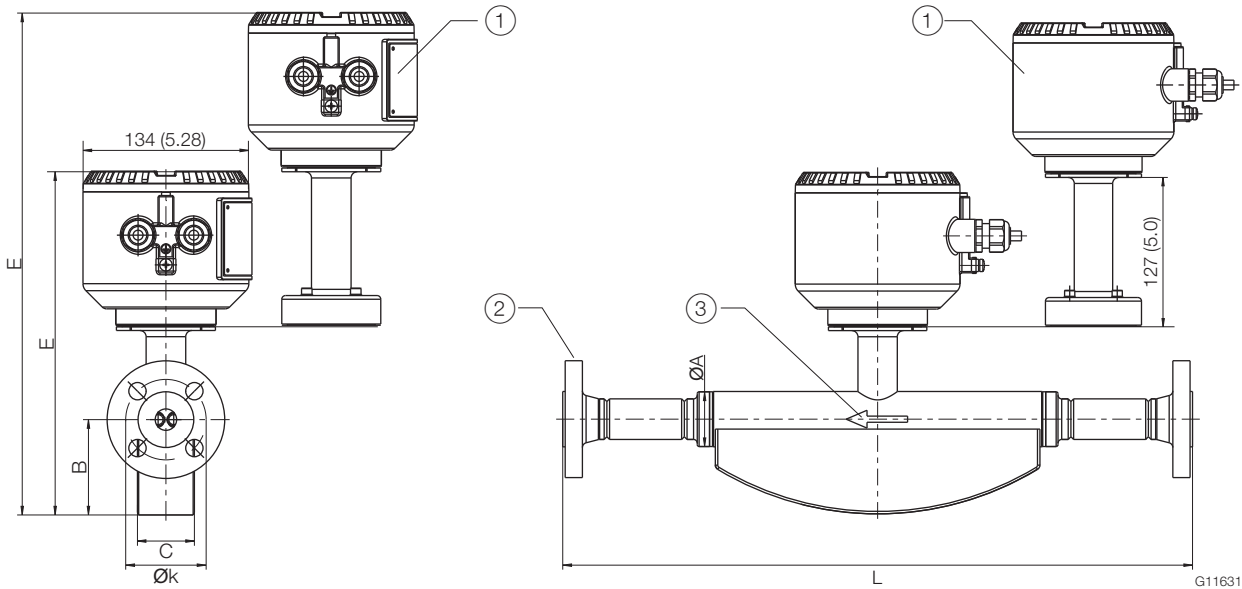


Fig. 25

- ① Option "extended tower length" or option "pressure rating of the pressure sensor housing" ② Flange in accordance with EN 1092-1
 ③ Flow direction

Sensor with wetted parts made from stainless steel

Meter tube	Process connection	L	Ø k	Ø A	B	C	E	Approx. weight	
								Aluminum ¹⁾	Stainless steel ²⁾
DN 15 (1/2")	DN 15 (1/2") / PN 40 (EN 1092-1)	510 (20.08)	60 (2.4)	44.5 (1.8)	77 (3.0)	46 (1.8)	278 / 405 ³⁾ (10.9 / 15.9 ³⁾)	9.5 / 10.5 ³⁾ (20.9 / 23.2 ³⁾)	12.5 / 13.5 ³⁾ (27.6 / 29.8 ³⁾)
DN 25 (1")	DN 25 (1") / PN 40 (EN 1092-1)	600 (23.62)	75 (3.0)	69.5 (2.74)	103 (4.06)	62 (2.44)	317 / 444 ³⁾ (12.5 / 17.5 ³⁾)	11 / 12 ³⁾ (24.3 / 26.5 ³⁾)	14 / 15 ³⁾ (30.9 / 33.1 ³⁾)
DN 50 (1")	DN 50 (1") / PN 40 (EN 1092-1)	715 (28.15)	125 (4.92)	99 (3.9)	125 (4.92)	80 (3.15)	354 / 481 ³⁾ (13.94 / 18.94 ³⁾)	27 / 28 ³⁾ (59.5 / 61.7 ³⁾)	30 / 31 ³⁾ (66.1 / 68.3 ³⁾)
DN 80 (3")	DN 80 (3") / PN 40 (EN 1092-1)	915 (36.02)	160 (6.30)	155 (6.1)	183 (7.2)	123 (4.84)	445 / 572 ³⁾ (17.52 / 22.52 ³⁾)	70 / 71 ³⁾ (154 / 157 ³⁾)	73 / 74 ³⁾ (161 / 163 ³⁾)
DN 100 (4")	DN 100 (4") / PN 16 (EN 1092-1)	1400 (55.12)	180 (7.09)	195 (7.68)	261 (10.28)	168 (6.61)	541 / 668 ³⁾ (21.3 / 26.3 ³⁾)	119 / 120 ³⁾ (262 / 265 ³⁾)	122 / 123 ³⁾ (269 / 271 ³⁾)
DN 150 (6")	DN 150 (6") / PN 16 (EN 1092-1)	1700 (66.93)	240 (9.45)	260 (10.24)	320 (12.6)	205 (8.07)	630 / 757 ³⁾ (24.8 / 29.8 ³⁾)	174 / 175 ³⁾ (384 / 386 ³⁾)	177 / 178 ³⁾ (390 / 392 ³⁾)

1) Devices with terminal boxes made from aluminum.

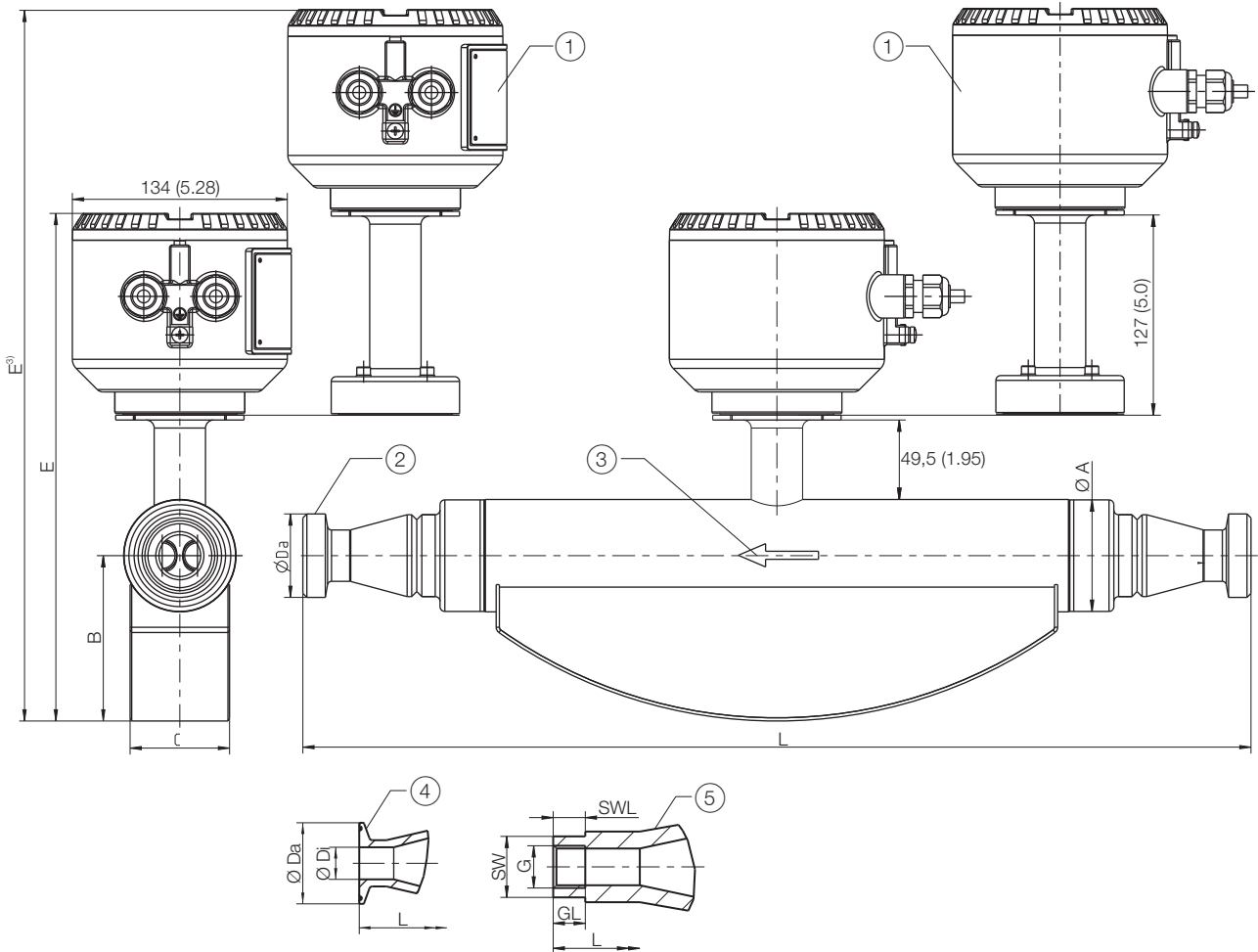
2) Devices with terminal boxes made from stainless steel.

3) Devices with option "extended tower length" or option "pressure rating of the pressure sensor housing".

Tolerance for dimension L: +0 / -3 mm (+0 / -0.018 inch)

Devices with meter tube nominal diameter DN 15 ... 80 and connections in accordance with DIN 11851, DIN 32676, DIN ISO 228, ASME BPE and ASME B 1.20.1

All specified dimensions and weights are in mm (inch) or kg (lb).



G11635

Fig. 26

- ① Option "Extended tower length" or option "Pressure Rating of Sensor Secondary Containment"
- ② Threaded spud in accordance with DIN 11851
- ③ Flow direction
- ④ Terminal in accordance with DIN 32676 and ASME BPE
- ⑤ Internal-thread connection in accordance with DIN ISO 228 and ASME B 1.20.1

CoriolisMaster FCB130, FCB150, FCH130, FCH150

Coriolis mass flowmeter

Sensor with wetted materials made from stainless steel

Dimensions for sensors featuring meter tubes with nominal diameter DN 15 ... 80 (1/2" ... 3") and process connection in accordance with DIN 11851

Meter tube DN	Process connection		L	Ø DA	Ø Di	Ø A	B	C	E	Approx. weight	
	DN	PN								Aluminum ¹⁾	Stainless steel ²⁾
15 (1/2")	10 (3/8")	40	413 (16.3)	RD 28x1/8"	10 (0.39)	44.5	77	46	278 / 405 ³⁾ (10.94 / 15.94 ³⁾)	9 / 10 ³⁾ (20 / 22 ³⁾)	12 / 13 ³⁾ (27 / 29 ³⁾)
	15 (1/2")			RD 34x1/8"	16 (0.63)						
	20 (3/4")			RD 44x1/6"	20 (0.79)						
25 (1")	20 (3/4")	40	590 (23.2)	RD 44x1/6"	20 (0.79)	69.5	103	62	317 / 444 ³⁾ (12.48 / 17.48 ³⁾)	11 / 12 ³⁾ (24 / 27 ³⁾)	14 / 15 ³⁾ (31 / 33 ³⁾)
	25 (1")			RD 52x1/6"	26 (1.02)						
	40 (1 1/2")			RD 65x1/6"	38 (1.5)						
50 (2")	40 (1 1/2")	25	763 (30.0)	RD 65x1/6"	38 (1.5)	99	125	80	354 / 481 ³⁾ (13.94 / 18.94 ³⁾)	27 / 28 ³⁾ (60 / 62 ³⁾)	30 / 31 ³⁾ (66 / 68 ³⁾)
	50 (2")		740 (29.1)	RD 78x1/6"	50 (1.97)						
	65 (2 1/2")			RD 95x1/6"	66 (2.6)						
80 (3")	65 (2 1/2")	10	990 (39.0)	RD 95x1/6"	66 (2.6)	155	183	123	445 / 572 ³⁾ (17.52 / 22.52 ³⁾)	68 / 69 ³⁾ (150 / 152 ³⁾)	71 / 72 ³⁾ (157 / 159 ³⁾)
	80 (3")		940 (37.0)	RD 110x1/4"	81 (3.19)						
	100 (4")			RD 130x1/4"	100 (3.94)						

Sensor with wetted materials made from stainless steel

Dimensions for sensors featuring meter tubes with nominal diameter DN 15 ... 80 (1/2" ... 3") and process connection in accordance with DIN 32676

Meter tube DN	Process connection		L	Ø DA	Ø Di	Ø A	B	C	E	Approx. weight	
	DN	PN								Aluminum ¹⁾	Stainless steel ²⁾
15 (1/2")	10 (3/8")	40	413 (16.3)	34 (1.34)	10 (0.39)	44.5	77	46	278 / 405 ³⁾ (10.94 / 15.94 ³⁾)	9 / 10 ³⁾ (20 / 22 ³⁾)	12 / 13 ³⁾ (27 / 29 ³⁾)
	15 (1/2")				16 (0.63)						
	20 (3/4")				20 (0.79)						
25 (1")	20 (3/4")	40	590 (23.2)	50.5 (1.99)	20 (0.79)	69.5	103	62	317 / 444 ³⁾ (12.48 / 17.48 ³⁾)	11 / 12 ³⁾ (24 / 27 ³⁾)	14 / 15 ³⁾ (31 / 33 ³⁾)
	25 (1")				26 (1.02)						
	40 (1 1/2")				38 (1.5)						
50 (2")	40 (1 1/2")	25	763 (30.0)	64 (2.52)	38 (1.5)	99	125	80	354 / 481 ³⁾ (13.94 / 18.94 ³⁾)	27 / 28 ³⁾ (60 / 62 ³⁾)	30 / 31 ³⁾ (66 / 68 ³⁾)
	50 (2")		740 (29.1)		50 (1.97)						
	65 (2 1/2")				91 (3.58)						
80 (3")	65 (2 1/2")	10	950 (37.4)	106 (4.17)	66 (2.6)	155	183	123	445 / 572 ³⁾ (17.52 / 22.52 ³⁾)	68 / 69 ³⁾ (150 / 152 ³⁾)	71 / 72 ³⁾ (157 / 159 ³⁾)
	80 (3")		910 (35.83)		81 (3.19)						
	100 (4")				119 (4.69)						

1) Devices with terminal boxes made from aluminum.

2) Devices with terminal boxes made from stainless steel.

3) Devices with option "Extended tower length" or option "Pressure Rating of Sensor Secondary Containment".

Tolerance for dimension L: +0 / -3 mm (+0 / -0.018 inch)

Sensor with wetted materials made from stainless steel

Dimensions for sensors featuring meter tubes with nominal diameter DN 15 ... 80 (1/2" ... 3") and process connection in accordance with ASME BPE

Meter tube DN	Process connection DN	PN	L	Ø DA	Ø Di	Ø A	B	C	E	Approx. weight	
										Aluminum ¹⁾	Stainless steel ²⁾
15 (1/2")	3/8"-Type A	10	—	—	—	44.5	77	46	278 / 405 ³⁾	9 / 10 ³⁾	12 / 13 ³⁾
	1/2"-Type A		433 (17.05)	25 (0.98)	9.4 (0.37)	(1.75)	(3.03)	(1.81)	(10.94 / 15.94 ³⁾)	(20 / 22 ³⁾)	(27 / 29 ³⁾)
	3/4"-Type A		—	—	—	—	—	—	—	—	—
25 (1")	3/4"-Type A	10	—	—	—	69.5	103	62	317 / 444 ³⁾	11 / 12 ³⁾	14 / 15 ³⁾
	1"-Type B		590 (23.23)	50.4 (1.98)	22.1 (0.87)	(2.74)	(4.06)	(2.44)	(12.48 / 17.48 ³⁾)	(24 / 27 ³⁾)	(31 / 33 ³⁾)
	1 1/2"-Type B		590 (23.23)	50,4 (1.98)	34,8 (1.37)	—	—	—	—	—	—
50 (2")	1 1/2"-Type B	10	—	—	—	99	125	80	354 / 481 ³⁾	27 / 28 ³⁾	30 / 31 ³⁾
	2"-Type B		740 (29.13)	63.9 (2.52)	47.5 (1.87)	(3.46)	(4.92)	(3.15)	(13.94 / 18.94 ³⁾)	(60 / 62 ³⁾)	(66 / 68 ³⁾)
	2 1/2"-Type B		—	—	—	—	—	—	—	—	—
80 (3")	2 1/2"-Type B	10	950 (37.40)	77.4 (3.05)	60.2 (2.37)	155	183	183	445 / 572 ³⁾	68 / 69 ³⁾	71 / 72 ³⁾
	3"-Type B		910 (35.83)	90.9 (3.19)	72.9 (2.87)	(6.10)	(7.20)	(7.20)	(17.52 / 22.52 ³⁾)	(150 / 152 ³⁾)	(157 / 159 ³⁾)
	4"-Type B		910 (35.83)	118.9 (4.68)	97.4 (3.83)	—	—	—	—	—	—

Sensor with wetted materials made from stainless steel

Dimensions for sensors featuring meter tubes with nominal diameter DN 15 ... 80 (1/2" ... 3") and process connection in accordance with DIN ISO 228 and ASME B 1.20.1

Meter tube DN	Process connection DN / G	PN	L	GL	SW ⁴⁾	SWL	Ø A	B	C	E	Approx. weight	
											Aluminum ¹⁾	Stainless steel ²⁾
15 (1/2")	8 (1/4") / G 1/4"	100	450 (17.72)	10 (0.39)	19	10 (0.39)	44.5 (1.75)	77 (3.03)	46 (1.81)	278 / 405 ³⁾ (10.94 / 15.94 ³⁾)	9 / 10 ³⁾ (20 / 22 ³⁾)	12 / 13 ³⁾ (27 / 29 ³⁾)
	15 (1/2") / G 1/2"			13.5 (0.53)	27	15 (0.59)						
	25 (1") / G 1"			17 (0.67)	50	20 (0.79)						
	15 (1/2") / 1/2" NPT			15.6 (0.61)	27	15 (0.59)						

- 1) Devices with terminal boxes made from aluminum.
- 2) Devices with terminal boxes made from stainless steel.
- 3) Devices with option "Extended tower length" or option "Pressure Rating of Sensor Secondary Containment".
- 4) Dimension GL: Thread length of the internal thread specified in mm.
- 5) Dimension SW: Width across flats specified in mm, Dimension SWL: Length of the flats in mm.

Tolerance for dimension L: +0 / -3 mm (+0 / -0.018 inch)

CoriolisMaster FCB130, FCB150, FCH130, FCH150

Coriolis mass flowmeter

Sensor with wetted materials made from C4 or C22 nickel alloy

For devices with wetted materials made from C4 or C22 nickel alloy, the installation length (L) is different from previous tables. All other dimensions and the weight are unchanged. All dimensions specified in mm (inch).

Dimensions for sensors with process connection in accordance with EN 1092-1 and ASME B16.5 (ANSI)									
Meter tube nominal diameter	Process connection	L							
		EN 1092-1				ASME CL			JIS 10K
		PN 16	PN 40	PN 63	PN 100	CL150	CL300	CL600	
DN 15 (1/2")	DN 10 (1/4")	—	449 (17.7)	449 (17.7)	449 (17.7)	—	—	—	449 (17.7)
	DN 15 (1/2")	—	442 (17.4)	442 (17.4)	442 (17.4)	442 (17.4)	442 (17.4)	442 (17.4)	442 (17.4)
	DN 20 (3/4")	—	428 (16.9)	428 (16.9)	428 (16.9)	428 (16.9)	428 (16.9)	428 (16.9)	428 (16.9)
DN 25 (1")	DN 20 (3/4")	—	646 (25.4)	646 (25.4)	646 (25.4)	646 (25.4)	646 (25.4)	646 (25.4)	646 (25.4)
	DN 25 (1")	—	614 (24.2)	614 (24.2)	614 (24.2)	614 (24.2)	614 (24.2)	614 (24.2)	614 (24.2)
	DN 40 (1 1/2")	—	576 (22.7)	576 (22.7)	576 (22.7)	576 (22.7)	576 (22.7)	576 (22.7)	576 (22.7)
DN 50 (2")	DN 40 (1 1/2")	—	814 (32.0)	814 (32.0)	814 (32.0)	814 (32.0)	814 (32.0)	814 (32.0)	814 (32.0)
	DN 50 (2")	—	764 (30.1)	764 (30.1)	764 (30.1)	764 (30.1)	764 (30.1)	764 (30.1)	764 (30.1)
	DN 65 (2 1/2")	—	819 (32.2)	819 (32.2)	819 (32.2)	792 (31.2)	792 (31.2)	792 (31.2)	819 (32.2)
DN 80 (3")	DN 65 (2 1/2")	—	1021 (40.2)	1021 (40.2)	1021 (40.2)	1021 (40.2)	1021 (40.2)	1021 (40.2)	1021 (40.2)
	DN 80 (3")	—	971 (38.2)	—	971 (38.2)	971 (38.2)	971 (38.2)	971 (38.2)	971 (38.2)
	DN 100 (4")	971 (38.2)	971 (38.2)	971 (38.2)	971 (38.2)	971 (38.2)	971 (38.2)	971 (38.2)	971 (38.2)
DN 100 (4")	DN 80 (3")	1357 (53.4)	1357 (53.4)	1357 (53.4)	1357 (53.4)	1357 (53.4)	1357 (53.4)	1357 (53.4)	1357 (53.4)
	DN 100 (4")	1280 (50.4)	1280 (50.4)	1280 (50.4)	1280 (50.4)	1280 (50.4)	1280 (50.4)	1280 (50.4)	1280 (50.4)
	DN 150 (6")	1261 (49.6)	1261 (49.6)	1261 (49.6)	1261 (49.6)	1261 (49.6)	1261 (49.6)	1261 (49.6)	1261 (49.6)
DN 150 (6")	DN 100 (4")	1592 (62.7)	1592 (62.7)	1632 (64.3)	1632 (64.3)	1592 (62.7)	1632 (64.3)	1632 (64.3)	1592 (62.7)
	DN 150 (6")	1502 (59.1)	1502 (59.1)	1542 (60.7)	1542 (60.7)	1502 (59.1)	1542 (60.7)	1542 (60.7)	1502 (59.1)

L dimension tolerance:

- Meter tube nominal diameter DN 15 ... 50 (1/2" ... 2"): +0 / -3 mm (+0 / -0.018 inch)
- Meter tube nominal diameter DN 80 (3"): +0 / -5 mm (+0 / -0.2 inch)
- Meter tube nominal diameter DN 100 ... 150 (4" ... 6"): +0 / -8 mm (+0 / -0.31 inch)

Ordering information

NOTE

For dependancies and limitations please check the online Product Selection Assistant at www.abb.com/flow-selector.

Main ordering information CoriolisMaster FCB130, FCB150

Base model

CoriolisMaster FCB130 Coriolis Mass Flowmeter	FCB130	XX	XX	XXXXX	XX	XX	X	X	XX	XX	X
CoriolisMaster FCB150 Coriolis Mass Flowmeter	FCB150	XX	XX	XXXXX	XX	XX	X	X	XX	XX	X

Explosion Protection Certification

General Purpose	Y0
ATEX / IECEx, (Zone 2 / 22)	A2
ATEX / IECEx, (Zone 1 / 21)	A1
cFMus version Class 1 Div. 2 (Zone 2 / 21)	F2
cFMus version Class 1 Div. 1 (Zone 1 / 21)	F1

Continued see next page

Connection Design / Connection Box Material / Cable Glands

Integral, defined by Transmitter housing	Y0
--	----

Meter Size / Connection Size

DN 15 (1/2 in.) / DN 10 (1/4 in.)	015E1
DN 15 (1/2 in.) / DN 15 (1/2 in.)	015R0
DN 15 (1/2 in.) / DN 20 (3/4 in.)	015R1
DN 25 (1 in.) / DN 20 (3/4 in.)	025E1
DN 25 (1 in.) / DN 25 (1 in.)	025R0
DN 25 (1 in.) / DN 40 (1-1/2 in.)	025R2
DN 50 (2 in.) / DN 40 (1-1/2 in.)	050E1
DN 50 (2 in.) / DN 50 (2 in.)	050R0
DN 50 (2 in.) / DN 65 (2-1/2 in.)	050R1
DN 80 (3 in.) / DN 65 (2-1/2 in.)	080E1
DN 80 (3 in.) / DN 80 (3 in.)	080R0
DN 80 (3 in.) / DN 100 (4 in.)	080R1
DN 100 (4 in.) / DN 80 (3 in.)	100E1
DN 100 (4 in.) / DN 100 (4 in.)	100R0
DN 100 (4 in.) / DN 150 (6 in.)	100R2
DN 150 (6 in.) / DN 100 (4 in.)	150E2
DN 150 (6 in.) / DN 150 (6 in.)	150R0
DN 150 (6 in.) / DN 200 (8 in.)	150R2

CoriolisMaster FCB130, FCB150, FCH130, FCH150

Coriolis mass flowmeter

Main ordering information								
CoriolisMaster FCB130 Coriolis Mass Flowmeter	XX	XX	X	X	XX	XX	X	
CoriolisMaster FCB150 Coriolis Mass Flowmeter	XX	XX	X	X	XX	XX	X	
Process Connection Type								
Flanges DIN PN 16		D2						Continued see next page
Flanges DIN PN 40		D4						
Flanges DIN PN 63		D5						
Flanges DIN PN 100		D6						
Flanges EN 1092-1 PN 40, NAMUR length (DN 15: 510 mm, DN 25: 600 mm, DN 50: 715 mm)		S5						
Flanges with groove PN40 EN1092-10-D		S6						
Flanges EN 1092-1 PN 16, NAMUR length (DN 15: 510 mm, DN 25: 600 mm, DN 50: 715 mm)		S7						
Flanges ANSI / ASME B16.5 Class 150		A1						
Flanges ANSI / ASME B16.5 Class 300		A3						
Flanges ANSI / ASME B16.5 Class 600		A6						
Flanges ANSI / ASME B16.5 Class 900 (p-t rating CI 600)		A7						
Flanges ANSI / ASME B16.5 Class 1500 (p-t rating CI 600)		A8						
Flanges JIS 10K		J1						
Tri-Clamp acc. DIN 32676		T1						
Tri-Clamp acc. BPE		T3						
Food industry fittings acc. DIN 11851		F1						
Female NPT thread		N5						
Female G thread		M5						
Others		Z9						
Material of Wetted Parts								
Stainless steel						A1		
Ni-Alloy						1) C1		
Flow Calibration								
Flow forward +/- 0.40 % of flow rate, Gas 1 % of flow rate						2) A		
Flow forward +/- 0.25 % of flow rate, Gas 1 % of flow rate						2) B		
Flow forward +/- 0.15 % of flow rate, Gas 0,5 % of flow rate						3) C		
Flow forward +/- 0.10 % of flow rate, Gas 0.5 % of flow rate						3) D		
Flow forward +/- 0.20 % of flow rate, Gas 1 % of flow rate						2) E		
Flow forward / reverse +/- 0.40 % of flow rate, Gas 1 % of flow rate						2) J		
Flow forward / reverse +/- 0.25 % of flow rate, Gas 1 % of flow rate						2) K		
Flow forward / reverse +/- 0.15 % of flow rate, Gas 0.5 % of flow rate						3) L		
Flow forward / reverse +/- 0.10 % of flow rate, Gas 0.5 % of flow rate						3) M		
Flow forward / reverse +/- 0.20 % of flow rate, Gas 1 % of flow rate						2) N		
Others						Z		
Density Calibration								
Density 10 g/l						2) 1		
Density 2 g/l						3) 3		
Density 1 g/l						3) 4		
Others						9		

Main ordering information

CoriolisMaster FCB130 Coriolis Mass Flowmeter	XX	XX	X
CoriolisMaster FCB150 Coriolis Mass Flowmeter	XX	XX	X
Connection Design / Transmitter Housing Type / Transmitter Housing Material / Cable Glands			
Integral / Single compartment / Aluminium / 2 x M20 x 1.5	B1		
Integral / Single compartment / Aluminium / 2 x NPT 1/2 in.	B2		
Integral / Single compartment / Stainless Steel / 2 x M20 x 1.5	T1		
Integral / Single compartment / Stainless Steel / 2 x NPT 1/2 in.	T2		
Outputs			
MODBUS, 2 digital outputs (passive)		M2	
Power Supply			
11 ... 30 V DC			C

Additional ordering information

CoriolisMaster FCB130 Coriolis Mass Flowmeter	XX	XX
CoriolisMaster FCB150 Coriolis Mass Flowmeter	XX	XX
Certificates		
Test report 2.2 acc. EN 10204 confirmation of material	C1	
Material monitoring with inspection certificate 3.1 acc. EN 10204	C2	
Material monitoring with inspection certificate 3.2 acc. EN 10204	C3	
Material monitoring NACE MR 01-75 with inspection certificate 3.1 acc. EN 10204	CN	
Declaration of compliance with the order 2.1 acc. EN 10204	C4	
Inspection certificate 3.1 acc. EN 10204 for visual, dimensional and functional test	C6	
Inspection certificate 3.1 acc. EN 10204 for positive material identification PMI (confirmation only)	CA	
Pressure test acc. AD2000	CB	
Test package (pressure test, non-destructive test, welder & welding procedure certificate)	CT	
Inspection certificate 3.1 acc. EN 10204 for NDE of welds	C8	
Certificate of accuracy 2.1 acc. EN 10204	CM	
Inspection certificate 3.1 acc. EN 10204 for positive material identification PMI (inclusive heat analysis)	CR	
Others	CZ	
Special Operation Mode		
Standard + FillMass filling function	3)	N5
Standard + DensiMass concentration measurement	3)	N6
VeriMass - Meter verification		N7

CoriolisMaster FCB130, FCB150, FCH130, FCH150

Coriolis mass flowmeter

Additional ordering information					
CoriolisMaster FCB130 Coriolis Mass Flowmeter	XX	XXX	XX	XXX	XXX
CoriolisMaster FCB150 Coriolis Mass Flowmeter	XX	XXX	XX	XXX	XXX
Documentation Language					
German	M1				
English	M5				
Language package Western Europe / Scandinavia (Languages: DA, ES, FR, IT, NL, PT, FI, SV)	MW				
Language package Eastern Europe (Languages: EL, CS, ET, LV, LT, HU, HR, PL, SK, SL, RO, BG)	ME				
Others	MZ				
Pressure Rating of Sensor Secondary Containment					
Maximum burst pressure 6 MPa / 60 bar / 870 psi inclusive tower length extension				PR5	
Maximum burst pressure 10 MPa / 100 bar / 1450 psi inclusive tower length extension				PR6	
Maximum burst pressure 15 MPa / 150 bar / 2175 psi inclusive tower length extension				PR7	
Device Identification Plate					
Stainless steel plate with TAG no.				T1	
Others				TZ	
Ambient Temperature Range					
-20 ... 70 °C (-4 ... 158 °F)					TA3
-40 ... 55 °C (-40 ... 131 °F)					TA8
-40 ... 70 °C (-40 ... 158 °F)					TA9
Extended Tower Length					
Tower length extension - meter insulation capability					TE1
Tower length extension - meter insulation capability with double sealing					TE2

- 1) If the sensor wetted parts are Ni-Alloy based, parts of the sensor housing are Ni-Alloy based too
- 2) Only with CoriolisMaster FCB130
- 3) Only with CoriolisMaster FCB150

Accessories

Description	Order no.
FCx1xx Local Operation Interface (LOI) Adapter and cable	3KXS310000L0001
FCB100 Electronics Slide In GP/Div2/ZN2	3KXF002776U0100

NOTE

For dependancies and limitations please check the online Product Selection Assistant at www.abb.com/flow-selector.

Main ordering information CoriolisMaster FCH130, FCH150

Base model

CoriolisMaster FCH130 Coriolis Mass Flowmeter	FCH130	XX	XX	XXXXX	XX	XX	X	X	XX	XX	X
CoriolisMaster FCH150 Coriolis Mass Flowmeter	FCH150	XX	XX	XXXXX	XX	XX	X	X	XX	XX	X
Explosion Protection Certification											
General Purpose		Y0									
ATEX / IECEx, (Zone 2 / 22)		A2									
ATEX / IECEx, (Zone 1 / 21)		A1									
cFMus version Class 1 Div. 2 (Zone 2 / 21)		F2									
cFMus version Class 1 Div. 1 (Zone 1 / 21)		F1									
Connection Design / Connection Box Material / Cable Glands											
Integral, defined by Transmitter housing			Y0								
Meter Size / Connection Size											
DN 25 (1 in.) / DN 20 (3/4 in.)						025E1					
DN 25 (1 in.) / DN 25 (1 in.)						025R0					
DN 25 (1 in.) / DN 40 (1-1/2 in.)						025R2					
DN 50 (2 in.) / DN 40 (1-1/2 in.)						050E1					
DN 50 (2 in.) / DN 50 (2 in.)						050R0					
DN 50 (2 in.) / DN 65 (2-1/2 in.)						050R1					
DN 80 (3 in.) / DN 65 (2-1/2 in.)						080E1					
DN 80 (3 in.) / DN 80 (3 in.)						080R0					
DN 80 (3 in.) / DN 100 (4 in.)						080R1					
Process Connection Type											
Tri-Clamp acc. DIN 32676											T1
Tri-Clamp acc. ASME BPE											T3
Food industry fittings acc. DIN 11851											F1
Others											Z9
Material of Wetted Parts											
Stainless steel, polished 1.4404 / 1.4435 (316L)											H2

Continued see next page

CoriolisMaster FCB130, FCB150, FCH130, FCH150

Coriolis mass flowmeter

Main ordering information		X	X	XX	XX	X
CoriolisMaster FCH130 Coriolis Mass Flowmeter		X	X	XX	XX	X
CoriolisMaster FCH150 Coriolis Mass Flowmeter		X	X	XX	XX	X
Flow Calibration						
Flow forward +/- 0.40 % of flow rate, Gas 1 % of flow rate	1)	A				
Flow forward +/- 0.25 % of flow rate, Gas 1 % of flow rate	1)	B				
Flow forward +/- 0.15 % of flow rate, Gas 0.5 % of flow rate	2)	C				
Flow forward +/- 0.10 % of flow rate, Gas 0.5 % of flow rate	2)	D				
Flow forward +/- 0.20 % of flow rate, Gas 1 % of flow rate	1)	E				
Flow forward / reverse +/- 0.40 % of flow rate, Gas 1 % of flow rate	1)	J				
Flow forward / reverse +/- 0.25 % of flow rate, Gas 1 % of flow rate	1)	K				
Flow forward / reverse +/- 0.15 % of flow rate, Gas 0.5 % of flow rate	2)	L				
Flow forward / reverse +/- 0.10 % of flow rate, Gas 0.5 % of flow rate	2)	M				
Flow forward / reverse +/- 0.20 % of flow rate, Gas 1 % of flow rate	1)	N				
Others		Z				
Density Calibration						
Density 10 g/l	1)	1				
Density 2 g/l	2)	3				
Density 1 g/l	2)	4				
Others		9				
Connection Design / Transmitter Housing Type / Transmitter Housing Material / Cable Glands						
Integral / Single compartment / Aluminium / 2 x M20 x 1.5					B1	
Integral / Single compartment / Aluminium / 2 x NPT 1/2 in.					B2	
Integral / Single compartment / Stainless Steel / 2 x M20 x 1.5					T1	
Integral / Single compartment / Stainless Steel / 2 x NPT 1/2 in.					T2	
Outputs						
MODBUS, 2 digital outputs (passive)						M2
Power Supply						
11 ... 30 V DC						C

Additional ordering information

CoriolisMaster FCH130 Coriolis Mass Flowmeter	XX	XX	XX	XX	XXX	XXX
CoriolisMaster FCH150 Coriolis Mass Flowmeter	XX	XX	XX	XX	XXX	XXX
Certificates						
Test report 2.2 acc. EN 10204 confirmation of material	C1					
Material monitoring with inspection certificate 3.1 acc. EN 10204	C2					
Material monitoring with inspection certificate 3.2 acc. EN 10204	C3					
Material monitoring NACE MR 01-75 with inspection certificate 3.1 acc. EN 10204	CN					
Declaration of compliance with the order 2.1 acc. EN 10204	C4					
Inspection certificate 3.1 acc. EN 10204 for visual, dimensional and functional test	C6					
Inspection certificate 3.1 acc. EN 10204 for positive material identification PMI (confirmation only)	CA					
Pressure test acc. AD2000	CB					
Test package (pressure test, non-destructive test, welder & welding procedure certificate)	CT					
Inspection certificate 3.1 acc. EN 10204 for NDE of welds	C8					
Certificate of compliance for calibration 2.1 acc. EN 10204	CM					
Inspection certificate 3.1 acc. EN 10204 for positive material identification PMI (inclusive heat analysis)	CR					
Others	CZ					
Special Operation Mode						
Standard + FillMass filling function	2)	N5				
Standard + DensiMass concentration measurement	2)	N6				
VeriMass - Meter verification		N7				
Documentation Language						
German					M1	
English					M5	
Language package Western Europe / Scandinavia (Languages: DA, ES, FR, IT, NL, PT, FI, SV)					MW	
Language package Eastern Europe (Languages: EL, CS, ET, LV, LT, HU, HR, PL, SK, SL, RO, BG)					ME	
Others					MZ	
Device Identification Plate						
Stainless steel plate with TAG no.					T1	
Others					TZ	
Ambient Temperature Range						
-20 ... 70 °C (-4 ... 158 °F)						TA3
-40 ... 55 °C (-40 ... 131 °F)						TA8
-40 ... 70 °C (-40 ... 158 °F)						TA9
Extended Tower Length						
Tower length extension - meter insulation capability						TE1
Tower length extension - meter insulation capability with double sealing						TE2

- 1) Only with CoriolisMaster FCB130
2) Only with CoriolisMaster FCB150

Accessories

Description	Order no.
FCx1xx Local Operation Interface (LOI) Adapter and cable	3KXS310000L0001
FCB100 Electronics Slide In GP/Div2/ZN2	3KXF002776U0100

CoriolisMaster FCB130, FCB150, FCH130, FCH150

Coriolis mass flowmeter

Use in potentially explosive atmospheres according to ATEX and IECEx

NOTE
Further information on the approval of devices for use in potentially explosive atmospheres can be found in the type examination certificates or the relevant certificates at www.abb.com/flow.

Device overview

	Standard / No explosion protection	Zone 2, 21, 22	Zone 1, 21 (Zone 0)
Model number	FCx1xx Y0	FCx1xx A2	FCx1xx A1
<ul style="list-style-type: none"> – Standard – Zone 2, 21, 22 – Zone 1, 21 – Zone 0 	<p>G11604a</p>	<p>ATEX IECEx</p> <p>G11604b</p>	<p>ATEX IECEx</p> <p>Zone 0</p> <p>G11604c</p>

Ex-marking

NOTE

- Depending on the design, a specific marking in accordance with ATEX or IECEx applies.
- ABB reserves the right to modify the Ex-marking. Refer to the name plate for the exact marking.

Devices with a maximum ambient temperature $T_{amb.}$ 55 °C (131 °F)

The Ex-marking stated in the following tables only apply to devices with a maximum permitted ambient temperature of $T_{amb.}$ 55 °C (131 °F) (order code ambient temperature rangeTA8)!

Marking for model FCx1xx-A2... in Zone 2, 21, 22	
ATEX	IECEx
FM 14 ATEX0017X	IECEx FME 14.0003X
II 3 G Ex nA mc IIC T6 ... T2 Gc	Ex nA mc IIC T6 ... T2 Gc
FM 14 ATEX0016X	Ex tb IIIC T85°C ... T_{medium} Db
II 2 D Ex tb IIIC T85°C ... T_{medium} Db	

Marking for model FCx1xx-A1 in Zone 1, 21 (Zone 0)	
ATEX	IECEx
FM 14 ATEX0016X	IECEx FME 14.0003X
II 2/1 G Ex e ia mb IIC T5 ... T2 Ga/Gb $T_{amb,max}= 55^{\circ}\text{C}$	Ex e ia mb IIC T5 ... T2 Ga/Gb $T_{amb,max}= 55^{\circ}\text{C}$
II 2/1 G Ex e ia mb IIC T6 ... T2 Ga/Gb $T_{amb,max}= 50^{\circ}\text{C}$	Ex e ia mb IIC T6 ... T2 Ga/Gb $T_{amb,max}= 50^{\circ}\text{C}$
II 2 D Ex ia tb IIIC T85°C ... T_{medium} Db	Ex ia tb IIIC T85°C ... T_{medium} Db
Control Installation Drawing No. 3KXF000014G0009	Control Installation Drawing No. 3KXF000014G0009

Devices with a maximum ambient temperature $T_{amb.}$ 70 °C (158 °F)

The Ex-marking stated in the following tables only apply to devices with a maximum permitted ambient temperature of $T_{amb.}$ 70 °C (158 °F) (order code ambient temperature rangeTA3 / TA9)!

Marking for model FCx1xx-A2... in Zone 2, 21, 22	
ATEX	IECEX
FM 14 ATEX0017X	IECEX FME 14.0003X
II 3 G Ex nA mc IIC T6 ... T2 Gc	Ex nA mc IIC T6 ... T2 Gc
FM 14 ATEX0016X	Ex tb IIIC T85°C ... T_{medium} Db
II 2 D Ex tb IIIC T85°C ... T_{medium} Db	

Marking for model FCx1xx-A1 in Zone 1, 21 (Zone 0)	
ATEX	IECEX
FM 14 ATEX0016X	IECEX FME 14.0003X
II 2/1 G Ex e ia mb IIC T6 ... T2 Ga/Gb $T_{amb,max}= 70^{\circ}C$	Ex e ia mb IIC T6 ... T2 Ga/Gb $T_{amb,max}= 70^{\circ}C$
II 2 D Ex ia tb IIIC T85°C ... T_{medium} Db	Ex ia tb IIIC T85°C ... T_{medium} Db
Control Installation Drawing No. 3KXF000014G0009	Control Installation Drawing No. 3KXF000014G0009

Temperature data

Temperature resistance for the connecting cable

The temperature at the cable entries of the device is dependent on the measuring medium temperature T_{medium} and the ambient temperature $T_{amb.}$.

For the electrical connection of the device, only use cables with sufficient temperature resistance according to the following diagram or table.

Devices with a maximum ambient temperature $T_{amb.}$ 70 °C (158 °F)

$T_{amb.}$	Temperature resistance for the connecting cable
$\leq 50^{\circ}C$ ($\leq 122^{\circ}F$)	$\geq 70^{\circ}C$ ($\geq 158^{\circ}F$)
$\leq 60^{\circ}C$ ($\leq 140^{\circ}F$)	$\geq 80^{\circ}C$ ($\geq 176^{\circ}F$)
$\leq 70^{\circ}C$ ($\leq 158^{\circ}F$)	$\geq 90^{\circ}C$ ($\geq 194^{\circ}F$)

Devices with a maximum ambient temperature $T_{amb.}$ 55 °C (131 °F)

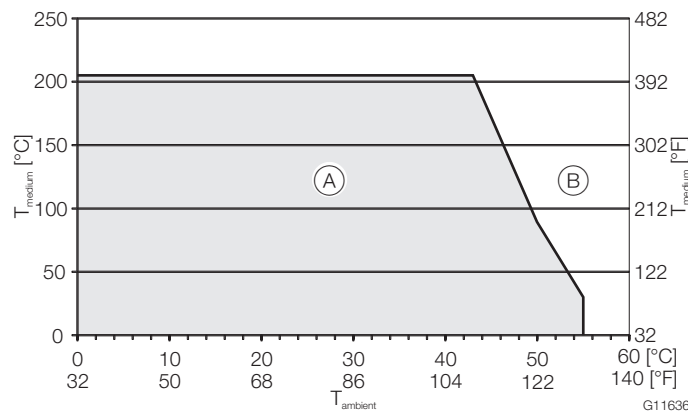


Fig. 27: Temperature range for the cable

- (A) Temperature resistance $\geq 70^{\circ}C$ (158 °F)
- (B) Temperature resistance $\geq 80^{\circ}C$ (176 °F)

Above an ambient temperature of $T_{amb.} \geq 60^{\circ}C$ ($\geq 140^{\circ}F$), the wires in the connection box must be insulated with the enclosed silicone hoses.

CoriolisMaster FCB130, FCB150, FCH130, FCH150

Coriolis mass flowmeter

Devices with a maximum ambient temperature $T_{amb.}$ 55 °C (131 °F)

The temperature data stated on this page only applies to devices with a maximum permitted ambient temperature of $T_{amb.}$ 55 °C (131 °F) (order code ambient temperature rangeTA8)!

Environmental and process conditions for model FCx1xx...

Ambient temperature		Measuring medium temperature	IP rating / NEMA rating
$[T_{amb.}]$	$[T_{amb.. optional}]$	$[T_{medium}]$	
-20 ... 55 °C (-4 ... 131 °F)	-40 ... 55 °C (-40 ... 131 °F)	-40 ... 205 °C (-40 ... 400 °F)	IP 64, IP 65, IP 67, IP 68 and NEMA 4X / type 4X

Measuring medium temperature (Ex data) for model FCx1xx-A1... in Zone 1

Ambient temperature $[T_{amb.}]$	≤ 50 °C (≤ 122 °F)	≤ 55 °C (≤ 131 °F)
Temperature class	Maximum permissible measuring medium temperature $[T_{medium}]$	
T1	205 °C (400 °F)	205 °C (400 °F)
T2	205 °C (400 °F)	205 °C (400 °F)
T3	195 °C (383 °F)	195 °C (383 °F)
T4	130 °C (266 °F)	130 °C (266 °F)
T5	95 °C (203 °F)	95 °C (203 °F)
T6	80 °C (176 °F)	—

Measuring medium temperature (Ex data) for model FCx1xx-A2... in Zone 2

Ambient temperature $[T_{amb.}]$	≤ 50 °C (≤ 122 °F)	≤ 55 °C (≤ 131 °F)
Temperature class	Maximum permissible measuring medium temperature $[T_{medium}]$	
T1	205 °C (400 °F)	205 °C (400 °F)
T2	205 °C (400 °F)	205 °C (400 °F)
T3	195 °C (383 °F)	195 °C (383 °F)
T4	130 °C (266 °F)	130 °C (266 °F)
T5	95 °C (203 °F)	95 °C (203 °F)
T6	80 °C (176 °F)	80 °C (176 °F)

Measuring medium temperature (Ex data) for model FCx1xx-A1... in Zone 21 and FCx1xx-A2 ... in Zone 22

Ambient temperature $[T_{amb.}]$	≤ 50 °C (≤ 122 °F)	≤ 55 °C (≤ 131 °F)
Temperature class	Maximum permissible measuring medium temperature $[T_{medium}]$	
T210°C	205 °C (400 °F)	205 °C (400 °F)
T200°C	195 °C (383 °F)	195 °C (383 °F)
T135°C	130 °C (266 °F)	130 °C (266 °F)
T100°C	95 °C (203 °F)	95 °C (203 °F)
T85°C	80 °C (176 °F)	—

Devices with a maximum ambient temperature T_{amb} . 70 °C (158 °F)

The temperature data stated on this page only applies to devices with a maximum permitted ambient temperature of T_{amb} . 70 °C (158 °F) (order code ambient temperature rangeTA3 / TA9)!

Environmental and process conditions for model FCx1xx...

Ambient temperature		Measuring medium temperature	IP rating / NEMA rating
$[T_{amb.}]$	$[T_{amb., optional}]$	$[T_{medium}]$	
-20 ... 70 °C (-4 ... 158 °F)	-40 ... 70 °C (-40 ... 158 °F)	-40 ... 205 °C (-40 ... 400 °F)	IP 65, IP 67, IP 68 and NEMA 4X / type 4X

Measuring medium temperature (Ex data) for model FCx1xx-A1... in Zone 1

Ambient temperature $[T_{amb.}]$	≤ 30 °C (≤ 86 °F)	≤ 50 °C (≤ 122 °F)	≤ 60 °C (≤ 140 °F)	≤ 70 °C (≤ 158 °F)
Temperature class	Maximum permissible measuring medium temperature $[T_{medium}]$			
T1	205 °C (400 °F)	205 °C (400 °F)	205 °C (400 °F)	205 °C (400 °F)
T2	205 °C (400 °F)	205 °C (400 °F)	205 °C (400 °F)	205 °C (400 °F)
T3	195 °C (383 °F)	195 °C (383 °F)	195 °C (383 °F)	195 °C (383 °F)
T4	130 °C (266 °F)	130 °C (266 °F)	130 °C (266 °F)	130 °C (266 °F)
T5	95 °C (203 °F)	95 °C (203 °F)	95 °C (203 °F)	95 °C (203 °F)
T6	80 °C (176 °F)	80 °C (176 °F)	80 °C (176 °F)	—

Measuring medium temperature (Ex data) for model FCx1xx-A2... in Zone 2

Ambient temperature $[T_{amb.}]$	≤ 30 °C (≤ 86 °F)	≤ 50 °C (≤ 122 °F)	≤ 60 °C (≤ 140 °F)	≤ 70 °C (≤ 158 °F)
Temperature class	Maximum permissible measuring medium temperature $[T_{medium}]$			
T1	205 °C (400 °F)	205 °C (400 °F)	205 °C (400 °F)	205 °C (400 °F)
T2	205 °C (400 °F)	205 °C (400 °F)	205 °C (400 °F)	205 °C (400 °F)
T3	195 °C (383 °F)	195 °C (383 °F)	195 °C (383 °F)	195 °C (383 °F)
T4	130 °C (266 °F)	130 °C (266 °F)	130 °C (266 °F)	130 °C (266 °F)
T5	95 °C (203 °F)	95 °C (203 °F)	—	—
T6	80 °C (176 °F)	—	—	—

Measuring medium temperature (Ex data) for model FCx1xx-A1... in Zone 21 and FCx1xx-A2 ... in Zone 22

Ambient temperature $[T_{amb.}]$	≤ 30 °C (≤ 86 °F)	≤ 50 °C (≤ 122 °F)	≤ 60 °C (≤ 140 °F)	≤ 70 °C (≤ 158 °F)
Temperature class	Maximum permissible measuring medium temperature $[T_{medium}]$			
T210°C	205 °C (400 °F)	205 °C (400 °F)	205 °C (400 °F)	205 °C (400 °F)
T200°C	195 °C (383 °F)	195 °C (383 °F)	195 °C (383 °F)	195 °C (383 °F)
T135°C	130 °C (266 °F)	130 °C (266 °F)	130 °C (266 °F)	130 °C (266 °F)
T100°C	95 °C (203 °F)	95 °C (203 °F)	—	—
T85°C	80 °C (176 °F)	80 °C (176 °F)	—	—

CoriolisMaster FCB130, FCB150, FCH130, FCH150

Coriolis mass flowmeter

Electrical data

Modbus outputs and digital outputs

Devices with a maximum ambient temperature T_{amb} . 55 °C (131 °F)

The electrical data stated in the following tables only applies to devices with a maximum permitted ambient temperature of T_{amb} . 55 °C (131 °F) (order code ambient temperature rangeTA8)!

Model: FCx1xx-A1, FCx1xx-A2

Outputs	Operating values (general)		Type of protection									
			"nA" (zone 2)		"e" (zone 1)		"ia" (zone 1)					
	U_N [V]	I_N [mA]	U_N [V]	I_N [mA]	U_M [V]	I_M [mA]	U_o [V]	I_o [mA]	P_o [mW]	C_o [nF]	$C_{o\ PA}$ [nF]	L_o [mH]
Modbus, active Terminals A / B	3	30	3	30	30	30	4.2	150	150	0	0	0
							U_i [V]	I_i [mA]	P_i [mW]	C_i [nF]	$C_i\ pa$ [nF]	L_i [mH]
							±4.2	150	150	0	0	0
Digital output DO1, passive Terminals 41 / 42	30	25	30	25	30	25	30	25	187	2.4	2.4	0.2
Digital output DO2, passive Terminals 51 / 52	30	25	30	25	30	25	30	25	187	10	0	0.2

All outputs are electrically isolated from each other and from the power supply.

Digital outputs DO1 / DO2 are not electrically isolated from each other. Terminals 42 / 52 have the same potential.

Devices with a maximum ambient temperature T_{amb} . 70 °C (158 °F)

The electrical data stated in the following tables only applies to devices with a maximum permitted ambient temperature of T_{amb} . 70 °C (158 °F) (order code ambient temperature rangeTA3 / TA9)!

Model: FCx1xx-A1, FCx1xx-A2

Outputs	Operating values (general)		Type of protection									
			"nA" (zone 2)		"e" (zone 1)		"ia" (zone 1)					
	U_N [V]	I_N [mA]	U_N [V]	I_N [mA]	U_M [V]	I_M [mA]	U_o [V]	I_o [mA]	P_o [mW]	C_o [nF]	$C_{o\ PA}$ [nF]	L_o [mH]
Modbus, active Terminals A / B	3	30	3	30	30	30	4.2	150	150	0	0	0
							U_i [V]	I_i [mA]	P_i [mW]	C_i [nF]	$C_i\ pa$ [nF]	L_i [mH]
							±4.2	150	150	0	0	0
Digital output DO1, passive Terminals 41 / 42	30	25	30	25	30	25	30	25	187	2.4	2.4	0.2
Digital output DO2, passive Terminals 51 / 52	30	25	30	25	30	25	30	25	187	20	0	0.2

All outputs are electrically isolated from each other and from the power supply.

Digital outputs DO1 / DO2 are not electrically isolated from each other. Terminals 42 / 52 have the same potential.

Special connection conditions

The output circuits are designed so that they can be connected to both intrinsically-safe and non-intrinsically-safe circuits.

- It is not permitted to combine intrinsically safe and non-intrinsically safe circuits.
- On intrinsically-safe circuits, equipotential bonding must be in place along the entire length of the cable used for the digital outputs.
- The rated voltage of the non-intrinsically safe circuits is $U_M = 30 \text{ V}$.
- Provided that the rated voltage $U_M = 30 \text{ V}$ is not exceeded if connections are established to non-intrinsically safe external circuits, intrinsic safety is preserved.
- When changing the type of protection, the information in the corresponding chapter entitled "Changing the type of protection" in the operating instructions must be observed.

NOTE

If the protective conductor (PE) is connected in the flowmeter's terminal box, you must ensure that no dangerous potential difference can arise between the protective conductor (PE) and the equipotential bonding (PA) in the hazardous area.

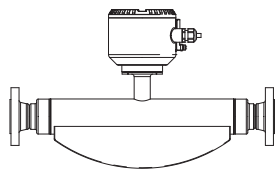
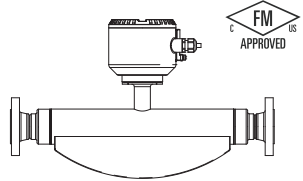
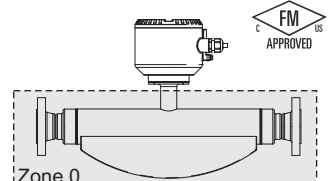
CoriolisMaster FCB130, FCB150, FCH130, FCH150

Coriolis mass flowmeter

Use in potentially explosive atmospheres in accordance with cFMus

NOTE
Further information on the approval of devices for use in potentially explosive atmospheres can be found in the type examination certificates or the relevant certificates at www.abb.com/flow.

Device overview

	Standard / No explosion protection	Class I Div. 2 Zone 2, 21	Class I Div. 1 Zone 0, 1, 20, 21
Model number	FCx1xx Y0	FCx1xx F2	FCx1xx F1
<ul style="list-style-type: none"> – Standard – Class I Div. 2 – Class I Div. 1 – Zone 2, 21 – Zone 1, 21 – Zone 0, 20 	 <p style="text-align: center;">G11605a</p>	 <p style="text-align: center;">G11605b</p>	 <p style="text-align: center;">G11605c</p>

Ex-marking

NOTE

- Depending on the design, a specific marking in accordance with FM applies.
- ABB reserves the right to modify the Ex-marking. Refer to the name plate for the exact marking.

Marking for model FCx1xx-F2... in Zone 2, Div. 2	
FM (marking for US)	FM (marking for Canada)
NI: CL I, DIV2, GPS ABCD, T6 ... T2 NI: CL II, III, DIV2, GPS EFG, T6 ... T3B DIP: CL II, Div 1, GPS EFG, T6 ... T3B DIP: CL III, Div 1, 2, T6 ... T3B CL I, ZN 2, AEx nA nR IIC T6 ... T2 ZN 21 AEx tb IIIC T85°C ... T165°C See instructions for T-Class information	NI: CL I, DIV2, GPS ABCD, T6 ... T2 NI: CL II, III, DIV2, GPS EFG, T6 ... T3B DIP: CL II, Div 1, GPS EFG, T6 ... T3B DIP: CL III, Div 1, 2, T6 ... T3B Ex nA IIC T6 ... T2 See instructions for T-Class information

Marking for model FCx1xx-F1... in Zone 1, Div. 1	
FM (marking for US)	FM (marking for Canada)
NI: CL I, DIV2, GPS ABCD, T6 ... T2 NI: CL II, III, DIV2, GPS EFG, T6 ... T3B XP-IS: CL I, Div 1, GPS BCD, T6 ... T2 DIP: CL II, Div 1, GPS EFG, T6 ... T3B DIP: CL III, Div 1, 2, T6 ... T3B CL I, ZN 1, AEx d ia IIB+H2 T6 .. T2 ZN 21 AEx ia tb IIIC T85°C to T165°C See instructions for T-Class information Control Installation Drawing No. 3KXF000014G0009	NI: CL I, DIV2, GPS ABCD, T6 ... T2 NI: CL II, III, DIV2, GPS EFG, T6 ... T3B XP-IS: CL I, Div 1, GPS BCD, T6 ... T2 DIP: CL II, Div 1, GPS EFG, T6 ... T2 DIP: CL III, Div 1, 2, T6 ... T3B Ex d ia IIB+H2 T6 .. T2 Ex ia INTRINSICALLY SAFE SECURITE INTRINSEQUE See instructions for T-Class information Control Installation Drawing No. 3KXF000014G0009

Temperature data

Temperature resistance for the connecting cable

The temperature at the cable entries of the device is dependent on the measuring medium temperature T_{medium} and the ambient temperature $T_{\text{amb.}}$.

For the electrical connection of the device, only use cables with sufficient temperature resistance according to the following diagram or table.

Devices with a maximum ambient temperature $T_{\text{amb.}}$ 55 °C (131 °F)

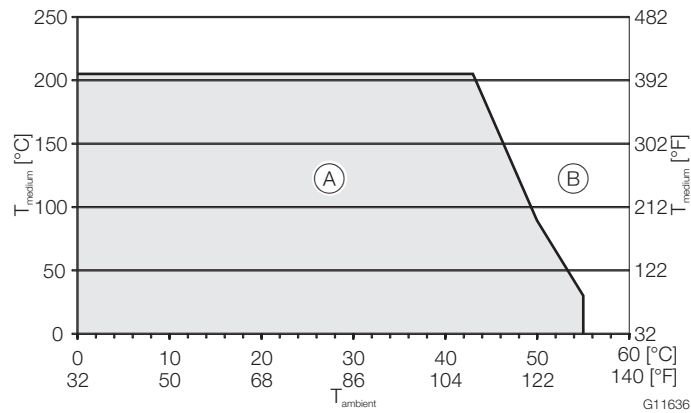


Fig. 28: Temperature range for the cable

- (A) Temperature resistance ≥ 70 °C (158 °F)
- (B) Temperature resistance ≥ 80 °C (176 °F)

Devices with a maximum ambient temperature

$T_{\text{amb.}}$ 70 °C (158 °F)

$T_{\text{amb.}}$	Temperature resistance for the connecting cable
≤ 50 °C (≤ 122 °F)	≥ 70 °C (≥ 158 °F)
≤ 60 °C (≤ 140 °F)	≥ 80 °C (≥ 176 °F)
≤ 70 °C (≤ 158 °F)	≥ 90 °C (≥ 194 °F)

Above an ambient temperature of $T_{\text{amb.}} \geq 60$ °C (≥ 140 °F), the wires in the connection box must be insulated with the enclosed silicone hoses.

CoriolisMaster FCB130, FCB150, FCH130, FCH150

Coriolis mass flowmeter

Devices with a maximum ambient temperature $T_{amb.}$ 55 °C (131 °F)

The temperature data stated on this page only applies to devices with a maximum permitted ambient temperature of $T_{amb.}$ 55 °C (131 °F) (order code ambient temperature rangeTA8)!

Environmental and process conditions for model FCx1xx...

Ambient temperature		Measuring medium temperature	IP rating / NEMA rating
$[T_{amb}]$	$[T_{amb. optional}]$	$[T_{medium}]$	
-20 ... 55 °C (-4 ... 131 °F)	-40 ... 55 °C (-40 ... 131 °F)	-40 ... 205 °C (-40 ... 400 °F)	IP 64, IP 65, IP 67, IP 68 and NEMA 4X / type 4X

NOTICE

All cable conduits (conduits) must be sealed within a distance of 18 inches (450 mm) from the device.

Measuring medium temperature (Ex data) for model FCx1xx-F1... in Class I Div. 1, Class I Zone 1

Ambient temperature $[T_{amb}]$	≤ 50 °C (≤ 122 °F)	≤ 55 °C (≤ 131 °F)
Temperature class	Maximum permissible measuring medium temperature $[T_{medium}]$	
T1	205 °C (400 °F)	205 °C (400 °F)
T2	205 °C (400 °F)	205 °C (400 °F)
T3	195 °C (383 °F)	195 °C (383 °F)
T4	130 °C (266 °F)	130 °C (266 °F)
T5	95 °C (203 °F)	95 °C (203 °F)
T6	80 °C (176 °F)	80 °C (176 °F)

Measuring medium temperature (Ex data) for model FCx1xx-F2... in Class I Div. 2, Class I Zone 2

Ambient temperature $[T_{amb}]$	≤ 50 °C (≤ 122 °F)	≤ 55 °C (≤ 131 °F)
Temperature class	Maximum permissible measuring medium temperature $[T_{medium}]$	
T1	205 °C (400 °F)	205 °C (400 °F)
T2	205 °C (400 °F)	205 °C (400 °F)
T3	195 °C (383 °F)	195 °C (383 °F)
T4	130 °C (266 °F)	130 °C (266 °F)
T5	95 °C (203 °F)	95 °C (203 °F)
T6	80 °C (176 °F)	80 °C (176 °F)

Measuring medium temperature (Ex data) for model FCx1xx-F1... in Zone 21, Class II / III and FCx1xx-F2... in Zone 22, Class II / III

Ambient temperature $[T_{amb}]$	≤ 50 °C (≤ 122 °F)	≤ 55 °C (≤ 131 °F)
Temperature class	Maximum permissible measuring medium temperature $[T_{medium}]$	
T165°C	160 °C (320 °F)	160 °C (320 °F)
T135°C	130 °C (266 °F)	130 °C (266 °F)
T100°C	95 °C (203 °F)	95 °C (203 °F)
T85°C	80 °C (176 °F)	—

Devices with a maximum ambient temperature T_{amb} . 70 °C (158 °F)

The temperature data stated on this page only applies to devices with a maximum permitted ambient temperature of T_{amb} . 70 °C (158 °F) (order code ambient temperature rangeTA3 / TA9)!

Environmental and process conditions for model FCx1xx...

Ambient temperature		Measuring medium temperature	IP rating / NEMA rating
$[T_{amb.}]$	$[T_{amb., optional}]$	$[T_{medium}]$	
-20 ... 70 °C (-4 ... 158 °F)	-40 ... 70 °C (-40 ... 158 °F)	-40 ... 205 °C (-40 ... 400 °F)	IP 65, IP 67, IP 68 and NEMA 4X / type 4X

NOTICE

All cable conduits (conduits) must be sealed within a distance of 18 inches (450 mm) from the device.

Measuring medium temperature (Ex data) for model FCx1xx-F1... in Class I Div. 1, Class I Zone 1

Ambient temperature $[T_{amb.}]$	≤ 30 °C (≤ 86 °F)	≤ 50 °C (≤ 122 °F)	≤ 60 °C (≤ 140 °F)	≤ 70 °C (≤ 158 °F)
Temperature class	Maximum permissible measuring medium temperature $[T_{medium}]$			
T1	205 °C (400 °F)	205 °C (400 °F)	205 °C (400 °F)	205 °C (400 °F)
T2	205 °C (400 °F)	205 °C (400 °F)	205 °C (400 °F)	205 °C (400 °F)
T3	195 °C (383 °F)	195 °C (383 °F)	195 °C (383 °F)	195 °C (383 °F)
T4	130 °C (266 °F)	130 °C (266 °F)	130 °C (266 °F)	130 °C (266 °F)
T5	95 °C (203 °F)	95 °C (203 °F)	95 °C (203 °F)	95 °C (203 °F)
T6	80 °C (176 °F)	80 °C (176 °F)	80 °C (176 °F)	—

Measuring medium temperature (Ex data) for model FCx1xx-F2... in Class I Div. 2, Class I Zone 2

Ambient temperature $[T_{amb.}]$	≤ 30 °C (≤ 86 °F)	≤ 50 °C (≤ 122 °F)	≤ 60 °C (≤ 140 °F)	≤ 70 °C (≤ 158 °F)
Temperature class	Maximum permissible measuring medium temperature $[T_{medium}]$			
T1	205 °C (400 °F)	205 °C (400 °F)	205 °C (400 °F)	205 °C (400 °F)
T2	205 °C (400 °F)	205 °C (400 °F)	205 °C (400 °F)	205 °C (400 °F)
T3	195 °C (383 °F)	195 °C (383 °F)	195 °C (383 °F)	195 °C (383 °F)
T4	130 °C (266 °F)	130 °C (266 °F)	130 °C (266 °F)	130 °C (266 °F)
T5	95 °C (203 °F)	95 °C (203 °F)	—	—
T6	80 °C (176 °F)	—	—	—

Measuring medium temperature (Ex data) for model FCx1xx-F1... in Zone 21, Class II / III and FCx1xx-F2... in Zone 22, Class II / III

Ambient temperature $[T_{amb.}]$	≤ 30 °C (≤ 86 °F)	≤ 50 °C (≤ 122 °F)	≤ 60 °C (≤ 140 °F)	≤ 70 °C (≤ 158 °F)
Temperature class	Maximum permissible measuring medium temperature $[T_{medium}]$			
T210°C	205 °C (400 °F)	205 °C (400 °F)	205 °C (400 °F)	205 °C (400 °F)
T200°C	195 °C (383 °F)	195 °C (383 °F)	195 °C (383 °F)	195 °C (383 °F)
T135°C	130 °C (266 °F)	130 °C (266 °F)	130 °C (266 °F)	130 °C (266 °F)
T100°C	95 °C (203 °F)	95 °C (203 °F)	—	—
T85°C	80 °C (176 °F)	80 °C (176 °F)	—	—

CoriolisMaster FCB130, FCB150, FCH130, FCH150

Coriolis mass flowmeter

Electrical data

Modbus outputs and digital outputs

Devices with a maximum ambient temperature $T_{amb.}$ 55 °C (131 °F)

The electrical data stated in the following tables only applies to devices with a maximum permitted ambient temperature of $T_{amb.}$ 55 °C (131 °F) (order code ambient temperature rangeTA8)!

Model: FCx1xx-F1, FCx1xx-F2

Outputs	Operating values (general)		Type of protection									
			NI (Div. 2, Zone 2)		XP (Div. 1, Zone 1)		IS (Div. 1, Zone 1)					
	U_N [V]	I_N [mA]	U_N [V]	I_N [mA]	U_M [V]	I_M [mA]	U_o [V]	I_o [mA]	P_o [mW]	C_o [nF]	C_{o_PA} [nF]	L_o [mH]
Modbus, active Terminals A / B	3	30	3	30	30	30	4.2	150	150	0	0	0
							U_i [V]	I_i [mA]	P_i [mW]	C_i [nF]	C_i pa [nF]	L_i [mH]
							±4.2	150	150	0	0	0
Digital output DO1, passive Terminals 41 / 42	30	25	30	25	30	25	30	25	187	2.4	2.4	0.2
Digital output DO2, passive Terminals 51 / 52	30	25	30	25	30	25	30	25	187	10	0	0.2

All outputs are electrically isolated from each other and from the power supply.

Digital outputs DO1 / DO2 are not electrically isolated from each other. Terminals 42 / 52 have the same potential.

Devices with a maximum ambient temperature $T_{amb.}$ 70 °C (158 °F)

The electrical data stated in the following tables only applies to devices with a maximum permitted ambient temperature of $T_{amb.}$ 70 °C (158 °F) (order code ambient temperature rangeTA3 / TA9)!

Model: FCx1xx-F1, FCx1xx-F2

Outputs	Operating values (general)		Type of protection									
			NI (Div. 2, Zone 2)		XP (Div. 1, Zone 1)		IS (Div. 1, Zone 1)					
	U_N [V]	I_N [mA]	U_N [V]	I_N [mA]	U_M [V]	I_M [mA]	U_o [V]	I_o [mA]	P_o [mW]	C_o [nF]	C_{o_PA} [nF]	L_o [mH]
Modbus, active Terminals A / B	3	30	3	30	30	30	4.2	150	150	0	0	0
							U_i [V]	I_i [mA]	P_i [mW]	C_i [nF]	C_i pa [nF]	L_i [mH]
							±4.2	150	150	0	0	0
Digital output DO1, passive Terminals 41 / 42	30	25	30	25	30	25	30	25	187	2.4	2.4	0.2
Digital output DO2, passive Terminals 51 / 52	30	25	30	25	30	25	30	25	187	20	0	0.2

All outputs are electrically isolated from each other and from the power supply.

Digital outputs DO1 / DO2 are not electrically isolated from each other. Terminals 42 / 52 have the same potential.

Special connection conditions

The output circuits are designed so that they can be connected to both intrinsically-safe and non-intrinsically-safe circuits.

- It is not permitted to combine intrinsically safe and non-intrinsically safe circuits.
- On intrinsically-safe circuits, equipotential bonding must be in place along the entire length of the cable used for the digital outputs.
- The rated voltage of the non-intrinsically safe circuits is $U_M = 30 \text{ V}$.
- Provided that the rated voltage $U_M = 30 \text{ V}$ is not exceeded if connections are established to non-intrinsically safe external circuits, intrinsic safety is preserved.
- When changing the type of protection, the information in the corresponding chapter entitled "Changing the type of protection" in the operating instructions must be observed.

NOTE

If the protective conductor (PE) is connected in the flowmeter's terminal box, you must ensure that no dangerous potential difference can arise between the protective conductor (PE) and the equipotential bonding (PA) in the hazardous area.

Trademarks

® Modbus is a registered trademark of the Modbus Organization

™ Hastelloy C-4 is a Haynes International trademark

™ Hastelloy C-22 is a Haynes International trademark

CoriolisMaster FCB130, FCB150, FCH130, FCH150

Coriolis mass flowmeter

Questionnaire

Customer:	Date:
Ms. / Mr.:	Department:
Telephone:	Fax:

Measuring medium:	Liquid content:	Gas content:
Flow rate: (min., max., operating point)	kg/h	
Density: (min., max., operating point)	kg/m ³	
Dynamic viscosity: (min., max., operating point)	mPas/cP	
Measuring medium temperature: (min., max., operating point)	°C	
Ambient temperature	°C	
Pressure: (min., max., operating point)	bar	
Rate of flow:	<input type="checkbox"/> Steady	<input type="checkbox"/> Pulsating
Batch operation:	<input type="checkbox"/> Yes	<input type="checkbox"/> No
Concentration calculation:	<input type="checkbox"/> Yes	<input type="checkbox"/> No
Transmitter design:	<input type="checkbox"/> Integral mount design	<input type="checkbox"/> Remote mount design
Explosion protection:	<input type="checkbox"/> Yes	<input type="checkbox"/> No
Power supply:	<input type="checkbox"/> 11 ... 30 V DC	
Electrical outputs:	<input type="checkbox"/> Pulse output, passive	Communication: <input type="checkbox"/> Modbus-RTU, RS 485
Additional specifications:		
Pipeline diameter:mm	
Process connection:	

Notes

Notes

Notes

Contact us

ABB Limited

Process Automation

Howard Road, St. Neots
Cambridgeshire, PE19 8EU
UK

Tel: +44 (0)870 600 6122

Fax: +44 (0)1480 213 339

Mail: enquiries.mp.uk@gb.abb.com

ABB Inc.

Process Automation

125 E. County Line Road
Warminster, PA 18974
USA

Tel: +1 215 674 6000

Fax: +1 215 674 7183

ABB Automation Products GmbH

Process Automation

Dransfelder Str. 2
37079 Goettingen
Germany

Tel: +49 551 905-0

Fax: +49 551 905-777

www.abb.com/flow

Note

We reserve the right to make technical changes or modify the contents of this document without prior notice.

With regard to purchase orders, the agreed particulars shall prevail. ABB does not accept any responsibility whatsoever for potential errors or possible lack of information in this document.

We reserve all rights in this document and in the subject matter and illustrations contained therein. Any reproduction, disclosure to third parties or utilization of its contents – in whole or in parts – is forbidden without prior written consent of ABB.

Copyright© 2016 ABB

All rights reserved

3KXF411009R1001



Sales



Service