

Fiberglass Hinged Cover Type 4X Enclosures

Corrosion-Resistant
Enclosures

Standard Sizes Fiberglass Hinged Solid Cover Type 4X Enclosures

Catalog Number	A x B x C in. (mm)	Type	Panel Catalog Number ^a	Panel Size D x E in. (mm)	Mounting G x H in. (mm)	Overall L x W in. (mm)	F in. (mm)	J in. (mm)	K in. (mm)	O in. (mm)	P in. (mm)	Q in. (mm)	R in. (mm)	T in. (mm)	U in. (mm)
A664CHSCFG	6.00 x 6.00 x 4.00 (152 x 152 x 102)	Screw Cover	A6P6 A6P6AL	4.88 x 4.88 (124 x 124)	6.94 x 4.00 (176 x 102)	6.50 x 6.50 (165 x 165)	3.45 (88)	3.25 (83)	1.00 (25)	4.25 (108)	4.25 (108)	5.64 (143)	5.12 (130)	0.12 (3)	5.64 (143)
A664CHQRFG	6.00 x 6.00 x 4.00 (152 x 152 x 102)	Quick- Release	A6P6 A6P6AL	4.88 x 4.88 (124 x 124)	6.94 x 4.00 (176 x 102)	6.50 x 6.50 (165 x 165)	3.45 (88)	3.25 (83)	1.00 (25)	4.25 (108)	4.25 (108)	5.64 (143)	5.12 (130)	0.12 (3)	5.64 (143)
A864CHSCFG	8.00 x 6.00 x 4.00 (203 x 152 x 102)	Screw Cover	A8P6 A8P6AL	6.75 x 4.88 (171 x 124)	8.94 x 4.00 (227 x 102)	8.50 x 6.50 (216 x 165)	3.45 (88)	3.25 (83)	1.00 (25)	4.25 (108)	6.25 (159)	7.64 (194)	7.12 (181)	0.12 (3)	5.64 (143)
A864CHQRFG	8.00 x 6.00 x 4.00 (203 x 152 x 102)	Quick- Release	A8P6 A8P6AL	6.75 x 4.88 (171 x 124)	8.94 x 4.00 (227 x 102)	8.50 x 6.50 (216 x 165)	3.45 (88)	3.25 (83)	1.00 (25)	4.25 (108)	6.25 (159)	7.64 (194)	7.12 (181)	0.12 (3)	5.64 (143)
A1086CHSCFG	10.00 x 8.00 x 6.00 (254 x 203 x 152)	Screw Cover	A10P8 A10P8AL	8.75 x 6.88 (222 x 175)	10.94 x 6.00 (278 x 152)	10.50 x 8.50 (267 x 216)	5.45 (138)	4.94 (125)	1.31 (33)	6.25 (159)	8.25 (210)	9.61 (244)	9.12 (232)	0.12 (3)	7.61 (193)
A1086CHQRFG	10.00 x 8.00 x 6.00 (254 x 203 x 152)	Quick- Release	A10P8 A10P8AL	8.75 x 6.88 (222 x 175)	10.94 x 6.00 (278 x 152)	10.50 x 8.50 (267 x 216)	5.45 (138)	4.94 (125)	1.31 (33)	6.25 (159)	8.25 (210)	9.61 (244)	9.12 (232)	0.12 (3)	7.61 (193)
A12106CHSCFG	12.00 x 10.00 x 6.00 (305 x 254 x 152)	Screw Cover	A12P10 A12P10AL	10.75 x 8.88 (273 x 226)	12.94 x 8.00 (329 x 203)	12.50 x 10.50 (318 x 267)	5.45 (138)	4.69 (119)	1.56 (40)	8.25 (210)	10.25 (260)	11.58 (294)	11.12 (282)	0.12 (3)	9.58 (243)
A12106CHQRFG	12.00 x 10.00 x 6.00 (305 x 254 x 152)	Quick- Release	A12P10 A12P10AL	10.75 x 8.88 (273 x 226)	12.94 x 8.00 (329 x 203)	12.50 x 10.50 (318 x 267)	5.45 (138)	4.69 (119)	1.56 (40)	8.25 (210)	10.25 (260)	11.58 (294)	11.12 (282)	0.12 (3)	9.58 (243)
A14128CHSCFG	14.00 x 12.00 x 8.00 (356 x 305 x 203)	Screw Cover	A14P12 A14P12AL	12.75 x 10.88 (324 x 276)	14.94 x 10.00 (379 x 254)	14.55 x 12.55 (370 x 319)	7.45 (189)	6.50 (165)	1.81 (46)	10.25 (260)	12.25 (311)	13.59 (345)	13.12 (333)	0.15 (4)	11.59 (294)
A14128CHQRFG	14.00 x 12.00 x 8.00 (356 x 305 x 203)	Quick- Release	A14P12 A14P12AL	12.75 x 10.88 (324 x 276)	14.94 x 10.00 (379 x 254)	14.55 x 12.55 (370 x 319)	7.45 (189)	6.50 (165)	1.81 (46)	10.25 (260)	12.25 (311)	13.59 (345)	13.12 (333)	0.15 (4)	11.59 (294)
A16148CHSCFG	16.00 x 14.00 x 8.00 (406 x 356 x 203)	Screw Cover	A16P14 A16P14AL	14.75 x 12.88 (375 x 327)	16.94 x 12.00 (430 x 305)	16.55 x 14.55 (420 x 370)	7.45 (189)	6.23 (158)	2.08 (53)	12.25 (311)	14.25 (362)	15.56 (395)	15.12 (384)	0.15 (4)	13.56 (344)
A16148CHQRFG	16.00 x 14.00 x 8.00 (406 x 356 x 203)	Quick- Release	A16P14 A16P14AL	14.75 x 12.88 (375 x 327)	16.94 x 12.00 (430 x 305)	16.55 x 14.55 (420 x 370)	7.45 (189)	6.23 (158)	2.08 (53)	12.25 (311)	14.25 (362)	15.56 (395)	15.12 (384)	0.15 (4)	13.56 (344)
A181610CHSCFG	18.00 x 16.00 x 10.00 (457 x 406 x 254)	Screw Cover	A18P16 A18P16AL	16.75 x 14.88 (425 x 378)	18.94 x 14.00 (481 x 356)	18.58 x 16.58 (472 x 421)	9.45 (240)	7.66 (195)	2.66 (68)	14.25 (362)	16.25 (413)	17.53 (445)	17.12 (435)	0.16 (4)	15.53 (394)
A181610CHQRFG	18.00 x 16.00 x 10.00 (457 x 406 x 254)	Quick- Release	A18P16 A18P16AL	16.75 x 14.88 (425 x 378)	18.94 x 14.00 (481 x 356)	18.58 x 16.58 (472 x 421)	9.45 (240)	7.66 (195)	2.66 (68)	14.25 (362)	16.25 (413)	17.53 (445)	17.12 (435)	0.16 (4)	15.53 (394)

^aPurchase panels separately. Panel catalog numbers ending in AL are aluminum. Optional stainless steel, conductive, and composite material panels available for most sizes.

Standard Sizes Fiberglass Hinged Window Cover Type 4X Enclosures

Catalog Number	A x B x C in. (mm)	Type	Panel Catalog Number ^a	Panel Size D x E in. (mm)	Mounting G x H in. (mm)	Overall L x W in. (mm)	F in. (mm)	J in. (mm)	K in. (mm)	M in. (mm)	N in. (mm)	O in. (mm)	P in. (mm)	Q in. (mm)	R in. (mm)	T in. (mm)	U in. (mm)
A664CHSCFGW	6.00 x 6.00 x 4.00 (152 x 152 x 102)	Screw Cover	A6P6 A6P6AL	4.88 x 4.88 (124 x 124)	6.94 x 4.00 (176 x 102)	6.50 x 6.50 (165 x 165)	3.45 (88)	3.25 (83)	1.00 (25)	4.25 (108)	4.25 (108)	4.25 (108)	4.25 (108)	5.64 (143)	5.12 (130)	0.12 (3)	5.64 (143)
A664CHQRFGW	6.00 x 6.00 x 4.00 (152 x 152 x 102)	Quick- Release	A6P6 A6P6AL	4.88 x 4.88 (124 x 124)	6.94 x 4.00 (176 x 102)	6.50 x 6.50 (165 x 165)	3.45 (88)	3.25 (83)	1.00 (25)	4.25 (108)	4.25 (108)	4.25 (108)	4.25 (108)	5.64 (143)	5.12 (130)	0.12 (3)	5.64 (143)
A864CHSCFGW	8.00 x 6.00 x 4.00 (203 x 152 x 102)	Screw Cover	A8P6 A8P6AL	6.75 x 4.88 (171 x 124)	8.94 x 4.00 (227 x 102)	8.50 x 6.50 (216 x 165)	3.45 (88)	3.25 (83)	1.00 (25)	6.25 (159)	8.25 (210)	6.25 (159)	6.25 (159)	7.64 (194)	7.12 (181)	0.12 (3)	5.64 (143)
A864CHQRFGW	8.00 x 6.00 x 4.00 (203 x 152 x 102)	Quick- Release	A8P6 A8P6AL	6.75 x 4.88 (171 x 124)	8.94 x 4.00 (227 x 102)	8.50 x 6.50 (216 x 165)	3.45 (88)	3.25 (83)	1.00 (25)	6.25 (159)	8.25 (210)	6.25 (159)	6.25 (159)	7.64 (194)	7.12 (181)	0.12 (3)	5.64 (143)
A1086CHSCFGW	10.00 x 8.00 x 6.00 (254 x 203 x 152)	Screw Cover	A10P8 A10P8AL	8.75 x 6.88 (222 x 175)	10.94 x 6.00 (278 x 152)	10.50 x 8.50 (267 x 216)	5.45 (138)	4.94 (125)	1.31 (33)	8.25 (210)	6.25 (159)	6.25 (159)	6.25 (159)	9.61 (244)	9.12 (232)	0.12 (3)	7.61 (193)
A1086CHQRFGW	10.00 x 8.00 x 6.00 (254 x 203 x 152)	Quick- Release	A10P8 A10P8AL	8.75 x 6.88 (222 x 175)	10.94 x 6.00 (278 x 152)	10.50 x 8.50 (267 x 216)	5.45 (138)	4.94 (125)	1.31 (33)	8.25 (210)	6.25 (159)	6.25 (159)	6.25 (159)	9.61 (244)	9.12 (232)	0.12 (3)	7.61 (193)
A12106CHSCFGW	12.00 x 10.00 x 6.00 (305 x 254 x 152)	Screw Cover	A12P10 A12P10AL	10.75 x 8.88 (273 x 226)	12.94 x 8.00 (329 x 203)	12.50 x 10.50 (318 x 267)	5.45 (138)	4.69 (119)	1.56 (40)	10.25 (260)	8.25 (210)	8.25 (210)	8.25 (210)	11.58 (294)	11.12 (282)	0.12 (3)	9.58 (243)
A12106CHQRFGW	12.00 x 10.00 x 6.00 (305 x 254 x 152)	Quick- Release	A12P10 A12P10AL	10.75 x 8.88 (273 x 226)	12.94 x 8.00 (329 x 203)	12.50 x 10.50 (318 x 267)	5.45 (138)	4.69 (119)	1.56 (40)	10.25 (260)	8.25 (210)	8.25 (210)	8.25 (210)	11.58 (294)	11.12 (282)	0.12 (3)	9.58 (243)
A14128CHSCFGW	14.00 x 12.00 x 8.00 (356 x 305 x 203)	Screw Cover	A14P12 A14P12AL	12.75 x 10.88 (324 x 276)	14.94 x 10.00 (379 x 254)	14.55 x 12.55 (370 x 319)	7.45 (189)	6.50 (165)	1.81 (46)	12.25 (311)	10.25 (260)	10.25 (260)	10.25 (260)	13.59 (345)	13.12 (333)	0.15 (4)	11.59 (294)
A14128CHQRFGW	14.00 x 12.00 x 8.00 (356 x 305 x 203)	Quick- Release	A14P12 A14P12AL	12.75 x 10.88 (324 x 276)	14.94 x 10.00 (379 x 254)	14.55 x 12.55 (370 x 319)	7.45 (189)	6.50 (165)	1.81 (46)	12.25 (311)	10.25 (260)	10.25 (260)	10.25 (260)	13.59 (345)	13.12 (333)	0.15 (4)	11.59 (294)
A16148CHSCFGW	16.00 x 14.00 x 8.00 (406 x 356 x 203)	Screw Cover	A16P14 A16P14AL	14.75 x 12.88 (375 x 327)	16.94 x 12.00 (430 x 305)	16.55 x 14.55 (420 x 370)	7.45 (189)	6.23 (158)	2.08 (53)	14.25 (362)	12.25 (311)	12.25 (311)	12.25 (311)	15.56 (395)	15.12 (384)	0.15 (4)	13.56 (344)
A16148CHQRFGW	16.00 x 14.00 x 8.00 (406 x 356 x 203)	Quick- Release	A16P14 A16P14AL	14.75 x 12.88 (375 x 327)	16.94 x 12.00 (430 x 305)	16.55 x 14.55 (420 x 370)	7.45 (189)	6.23 (158)	2.08 (53)	14.25 (362)	12.25 (311)	12.25 (311)	12.25 (311)	15.56 (395)	15.12 (384)	0.15 (4)	13.56 (344)
A181610CHSCFGW	18.00 x 16.00 x 10.00 (457 x 406 x 254)	Screw Cover	A18P16 A18P16AL	16.75 x 14.88 (425 x 378)	18.94 x 14.00 (481 x 356)	18.58 x 16.58 (472 x 421)	9.45 (240)	7.66 (195)	2.66 (68)	16.25 (413)	14.25 (362)	14.25 (362)	14.25 (362)	17.53 (445)	17.12 (435)	0.16 (4)	15.53 (394)
A181610CHQRFGW	18.00 x 16.00 x 10.00 (457 x 406 x 254)	Quick- Release	A18P16 A18P16AL	16.75 x 14.88 (425 x 378)	18.94 x 14.00 (481 x 356)	18.58 x 16.58 (472 x 421)	9.45 (240)	7.66 (195)	2.66 (68)	16.25 (413)	14.25 (362)	14.25 (362)	14.25 (362)	17.53 (445)	17.12 (435)	0.16 (4)	15.53 (394)

^aPurchase panels separately. Panel catalog numbers ending in AL are aluminum. Optional stainless steel, conductive, and composite material panels available for most sizes.

Fiberglass Hinged Cover Type 4X Enclosures



Application

Designed for use as a junction box or instrument housing in both indoor and outdoor settings. The enclosure is used in highly-corrosive environments typically found in oil refineries, chemical processing plants, waste water treatment, marine installations, pulp and paper processing, and electroplating plants. The efficient design and simple construction create a low-cost, durable, and aesthetic enclosure.

Construction

- Molded fiberglass polyester has outstanding chemical and temperature resistance qualities and exhibits excellent weatherability and physical properties
- Fiberglass is easily punched, drilled, filed, or sawed
- Seamless foam-in-place gasket assures watertight and dusttight seal
- Polyester mounting brackets and stainless steel attachment screws are provided with each enclosure
- Scratch-resistant polycarbonate windows are permanently bonded in place
- Molded-in-place threaded brass inserts and plated steel screws are provided for mounting optional panels and terminal block kits
- Removable hinged cover attached to body with Type 316 stainless steel hinge pin
- Screw cover enclosures are secured with two captivated Type 316 stainless steel slotted cross point cover screws
- Enclosures with patented quick-release latches have corrosion-resistant polyester latches located in corners that provide unobstructed access to enclosure
- Hinge pin and bail are corrosion-resistant Type 316 stainless steel
- Padlock provisions included in each latch

Finish

Fiberglass material is light gray inside and out. Optional steel panels are painted white. Optional stainless steel, aluminum, conductive, and composite panels are unpainted.

Industry Standards

UL 508A, File No. E61997: Type 4, 4X, 12, and 13
NEMA/EEMAC Type 4, 4X, 12, and 13
Enclosure flammability rating per UL 508A
Window flammability rating per UL 508A
CSA File No. 42186: Type 4, 4X, 12, and 13
IEC 60529, IP66

Accessories

Panels
Threaded Panel Extenders
Quick-Release Latch Kit
Swing-Out Panel Kit
Terminal Block Kit Assembly
Ventilators

Modification Services Program

You can customize this product to your unique requirements by specifying from these options:

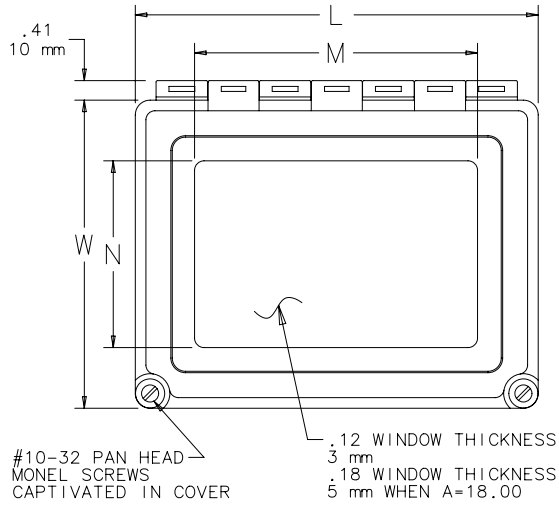
- Colors
- Holes and cutouts in body, doors, panels
- Tapped holes, fasteners in subpanel
- Mounting Brackets
- Panels
- Thermal Accessories
- Threaded Panel Extenders
- Windows Kits
- Standard accessories

To order, contact your local Hoffman sales representative.

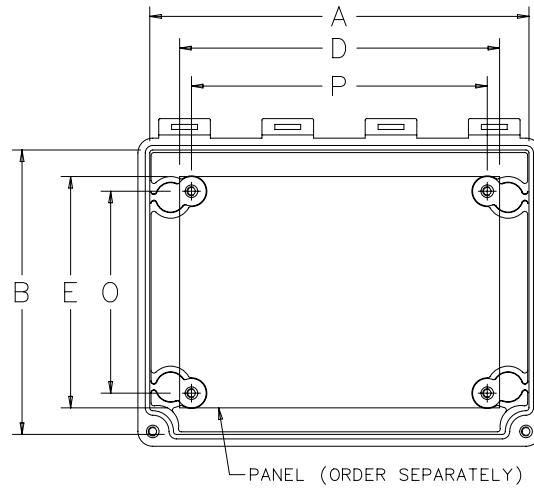
NOTE: For information about modifications outside the scope of the Modification Services program, contact your Hoffman sales representative.

Fiberglass Hinged Cover Type 4X Enclosures

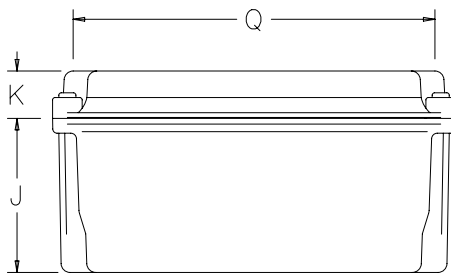
Fiberglass Hinged Solid Cover Type 4X Enclosures



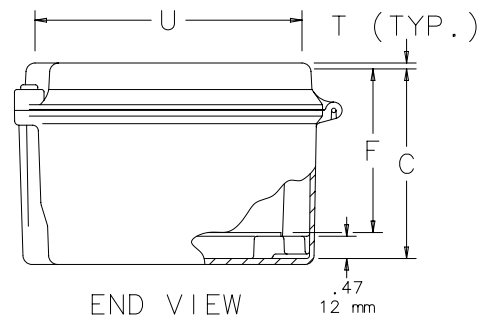
TOP VIEW



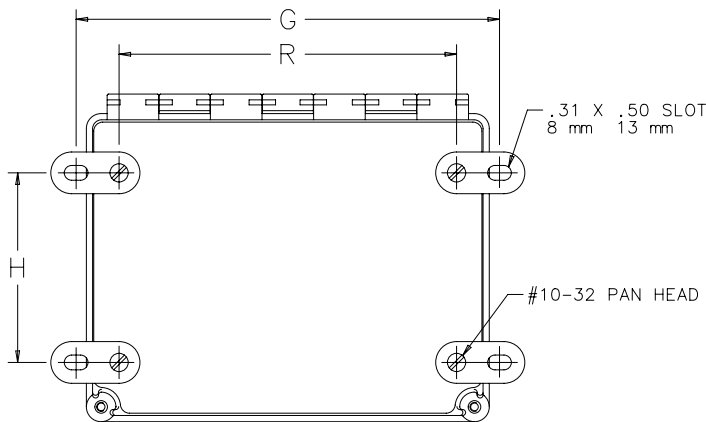
TOP VIEW WITH COVER REMOVED



SIDE VIEW

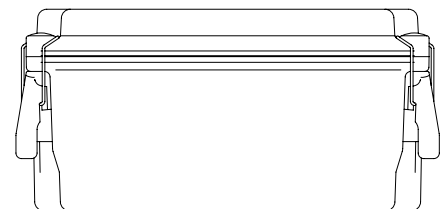


END VIEW



BOTTOM VIEW

- NOTE: 1. Panel screws have #10-32 threads.
2. Mounting brackets are .16 (4mm) thick.



SIDE VIEW
(QUICK-RELEASE COVER ENCLOSURE)

C2567-C