



9000 SERIES LEVEL SWITCH



EDGE vibrating level forks are ideal for liquid level detection when mounted on tanks or pipes. Proven effective for over 35 years, they control the filling and emptying of tanks and generate a fail-safe alarm, providing overflow and dry run protection.

FEATURES

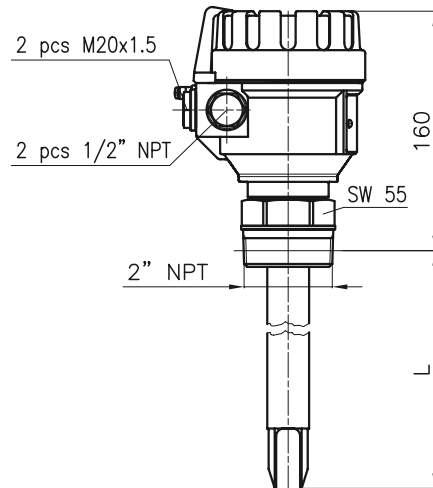
- Wetted parts are 316 titanium stainless steel
- Probe lengths from 4 inches to 8 feet available
- FM Class I, Division 1 approved
- Polished vibrating probe is designed to draw liquid away from the fork tips, allowing for greater sensitivity and shorter switching delays
- Switching performance does not depend on the change of liquid conductivity, dielectric constant, viscosity, pressure, or temperature
- 2" NPT Standard, also available in 1" and 1.5"

HOW IT WORKS

The EDGE Level Switch operation principle is based on the electronic circuit exciting the fork probe, making it vibrate. As the medium reaches and covers the fork, its vibration changes. The electronics sense the change of vibration and gives an output signal after a selected delay.

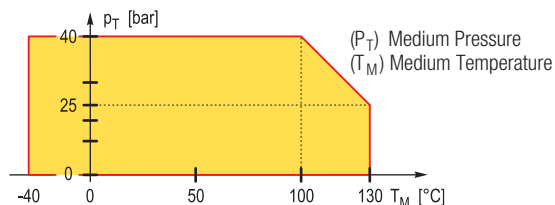
SWITCHING OPERATION		FAIL-SAFE SWITCH	OUTPUT RELAY
HIGH LEVEL			
LOW LEVEL			

DIMENSIONS



TEMPERATURE

Medium Pressure – Medium Temperature



FAIL-SAFE SWITCH

Fail-Safe

Fail-safe alarm is indicated by the de-energized relay or open state of the output



VIBRATING FORK LEVEL SWITCH

TO ORDER: 800.898.2899 AUTOMATION-X.COM

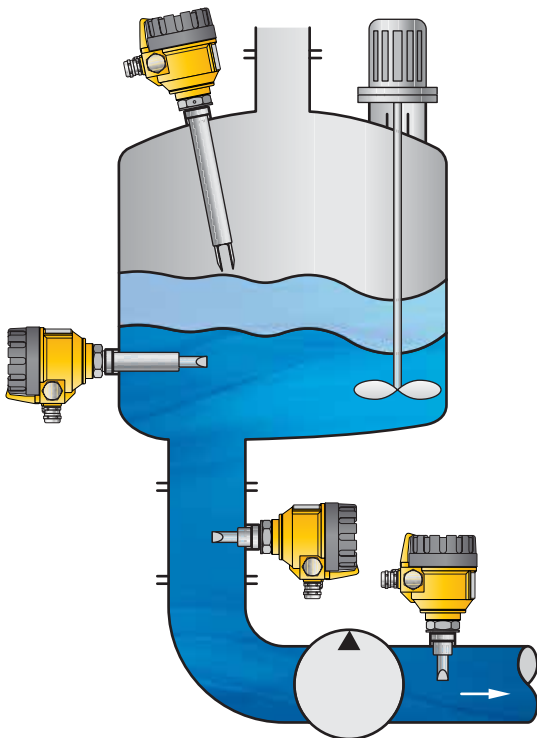
9000 SERIES LEVEL SWITCH



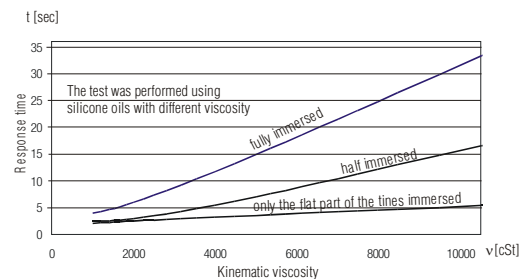
TECHNICAL DATA	
Insertion Length	4 inches- 8 feet (101-2438 mm)
Probe Material	316 Ti Stainless Steel (Titanium)
Process Connection	2" NPT Standard <i>-Also available in 1" & 1.5"</i>
Medium Temperature	-40°F - 266°F (-40°C - 130°C)
Ambient Temperature	-40°F - 158°F (-40°C - 70°C) <i>-see temperature diagrams</i>
Maximum Pressure	580psi (40 bar) <i>-See derating diagrams</i>
Minimum Medium Density	≥0.7 kg/dm ³
Maximum Medium Viscosity	≤10000 mm ₂ /s (cSt)
Supply Voltage	20 - 250Vac or 20 - 36Vdc
Housing Material	Powder Coated Aluminum
Electrical Connection	1/2" NPT conduit or cable entry for 16-18 AWG wire cross section
Ingress Protection	IP 67



INSTALLATION GUIDE



RESPONSE TIME FOR LIQUIDS



Response time (when getting free) versus medium viscosity

- In a low viscosity environment (no risk of residue remaining on the fork-tines) any of the mounting varieties shown above will work.
- In a higher viscosity environment (risk of residue remaining on the fork-tines) only vertical (top) mounting is recommended.
- Installed as side mount, carefully align the positioning mark in upright vertical position.



VIBRATING FORK LEVEL SWITCH
TO ORDER: 800.898.2899 **AUTOMATION-X.COM**