

**BUY A 60 WATT SOLAR
PANEL, GET THE
BRACKET FOR FREE**



60 WATT SOLAR PANEL SPECIAL:

**GET A FREE BRACKET WITH
EVERY PANEL SOLD.**

**CALL US TO LEARN ABOUT SPECIAL
PALLET PRICING**

BRACKET OPTIONS:

MULTI PANEL BRACKET SERIES, FITS 2 PANELS. ORDER # 01442

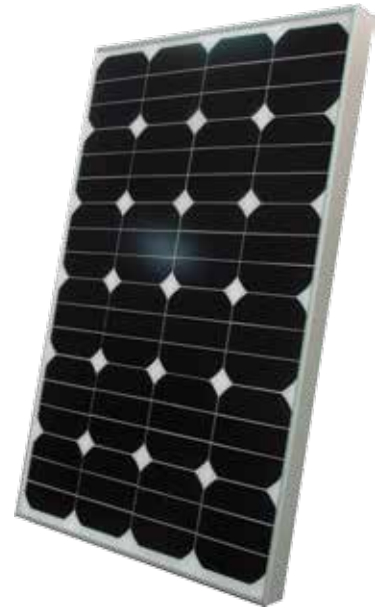
- 44" PANEL SUPPORT LENGTH
- 15-60 DEGREE TILT
- ALUMINUM SINGLE SIDE OF POLE MOUNT

SOLAR PANEL BRACKET SERIES, FITS 1 PANEL. ORDER # 03749

- SINGLE BRACKET
- 33" HEAVY DUTY FRAME
- 45 DEGREE TILT ADJUSTABLE

6COR SOLAR PANEL BRACKET , FITS 1 PANEL. ORDER #09332

- ALUMINUM BODY
- MOLDED FRAME
- ELECTROGALVANIZED COATING



TO ORDER:

800.898.2899

AUTOMATION-X.COM

EXPERT VIDEO REVIEWS





60 WATT SOLAR PANEL

MODEL: OGRE B060-J12

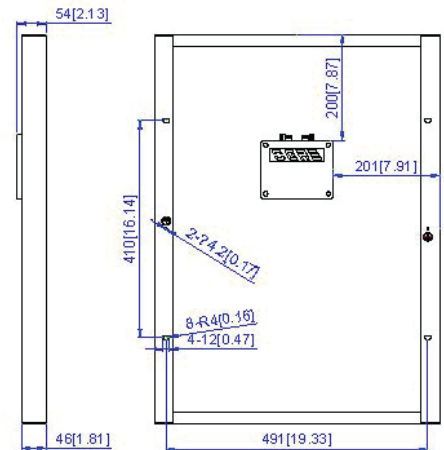
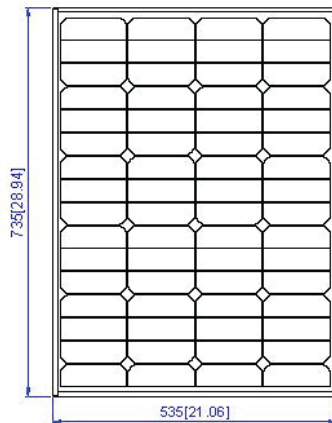
ORDER #: 05209



FEATURES

- Extra heavy gauge aluminum frame, designed for ease of mounting and durability
- Industry leading quality, manufactured with advanced encapsulation process
- 24 highly efficient monocrystalline cells
- Engineered for off-grid applications with conversion efficiencies >19%
- Junction box is rain tight and has four 1/2" conduit or cable fitting knock-outs

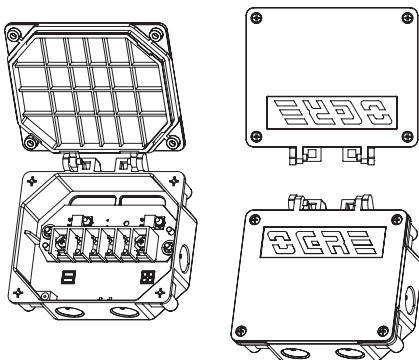
ELECTRICAL	OGRE B060-J12
Max Power	60 Watts
Max Power Voltage	16.9 Vmp
Max Power Current	3.56 Imp
Open Circuit Voltage	20.3 Voc
Short Circuit Current	3.99 Isc
Maximum System Voltage	70 V
Series Fuse Rating	9 A
<i>Temperature Co-Efficients</i>	
Power	-0.38%/C
Voltage	-58.7mV/C
Current	3.5mA/C
Cell Efficiency	19.7%
Number of Cells in Series	32
Cell Type	BC Mono
Number of Strings in Parallel	2
Max Power Tolerance	+/- 5%



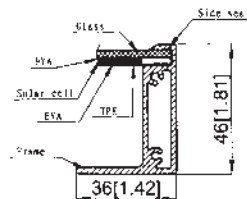
MECHANICAL	
Weight	11.5
Dimension	28.9 x 21 in.
Thickness, including junction box	2.13 in.
Frame-aluminum	>10µm anodized



JUNCTION BOX



CROSS SECTION



**VISIT AUTOMATION-X.COM
TO VIEW CUSTOMER
FEEDBACK AND THEIR TOP
STAR RATINGS ON THIS
RUGGED SOLAR PANEL.**

TO ORDER:

**800.898.2899
AUTOMATION-X.COM
EXPERT VIDEO REVIEWS**